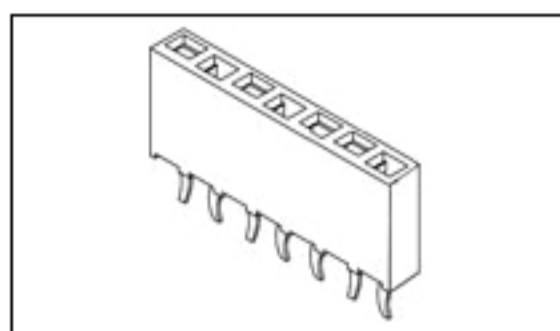


1-215297-0 Product Details

[Share](#) [Print](#) [Email](#)



1-215297-0

TE Internal Number: 1-215297-0

Active

[View 3D PDF](#)

.100 inch AMPMODU Receptacles

Always EU RoHS/ELV Compliant (Statement of Compliance)

Product Highlights:

- Connector
- HV-100
- 10 Positions
- Number of Rows = Single
- Standard Profile

[View all Features](#)

Quick Links

- ▶ [Pricing & Availability](#)
- ▶ [Search for Tooling](#)
- ▶ [Product Feature Selector](#)
- ▶ [Contact Us About This Product](#)

[Add to My Part List](#) [Request Sample](#) [Find Similar Products](#) [Buy Product](#)

Documentation & Additional Information

Product Drawings:

- [HV 100 VERTICAL CONNECTOR SINGLE ROW, 7,0mm HEIGHT,...](#) (PDF, English)

Catalog Pages/Data Sheets:

- None Available

Product Specifications:

- None Available

Application Specifications:

- None Available

Instruction Sheets:

- None Available

CAD Files: (CAD Format & Compression Information)

- [2D Drawing \(DXF, Version C1\)](#)
- [3D Model \(IGES, Version C1\)](#)
- [3D Model \(STEP, Version C1\)](#)

Additional Information:

- [Product Line Information](#)

Related Products:

- [Tooling](#)

[List all Documents](#)

Product Features (Please use the Product Drawing for all design activity)

Product Type Features:

- [Product Type](#) = Connector
- [Connector Series](#) = HV-100
- [Profile](#) = Standard
- [Sealed](#) = No
- [PCB Mounting Orientation](#) = Vertical
- [PCB Mount Retention](#) = With
- [Termination Method to PC Board](#) = Through Hole - Solder
- [PCB Mount Retention Type](#) = Retention Solder Tails
- [Closed Entry](#) = With
- [Board Standoff](#) = With

Mechanical Attachment:

- [Holddown Feature](#) = Without
- [Stackable](#) = Yes

Termination Features:

- [Termination Post Length \(mm \[in\]\)](#) = 3.10 [0.122]
- [Solder Tail Contact Plating](#) = Tin

Dimensions:

- [Connector Height \(mm \[in\]\)](#) = 7.00 [0.276]

Body Features:

- [Closed Bottom](#) = With

Contact Features:

- [Contact Plating, Mating Area, Material](#) = Gold (30)
- [Contact Base Material](#) = Phosphor Bronze

Housing Features:

- [Centerline, Matrix \(mm \[in\]\)](#) = 2.54 [.100]
- [Housing Entry Style](#) = Top
- [Housing Material](#) = Polyester GF
- [UL Flammability Rating](#) = UL 94V-0
- [Housing Color](#) = Green

Configuration Features:

- [Number of Positions](#) = 10
- [Number of Rows](#) = Single
- [Mounting Pattern \(mm \[in\]\)](#) = 2.54 [.100]

Industry Standards:

- [Government/Industry Qualification](#) = No
- [RoHS/ELV Compliance](#) = RoHS compliant, ELV compliant
- [Lead Free Solder Processes](#) = Wave solder capable to 240°C, Wave solder capable to 260°C, Wave solder capable to 265°C
- [RoHS/ELV Compliance History](#) = Always was RoHS compliant

Packaging Features:

- [Packaging Quantity](#) = 72

Other:

- [Brand](#) = AMP

Corporate Information

- [About TE](#)
- [Investors](#)
- [News Room](#)
- [Supplier Portal](#)
- [Careers](#)
- [Terms & Conditions](#)
- [Privacy Policy](#)

Quick Links

- [Distributor Inventory](#)
- [Product Cross Reference](#)
- [Documents & Drawings](#)
- [Product Compliance Support Center](#)
- [Site Map](#)

Customer Support

- [Email or Chat With Us](#)
- [Find a Phone Number](#)
- [Knowledge Base](#)
- [Manage Your Account](#)

Keep Me Informed

Receive TE News, Events & Technology Updates

Enter your email address

