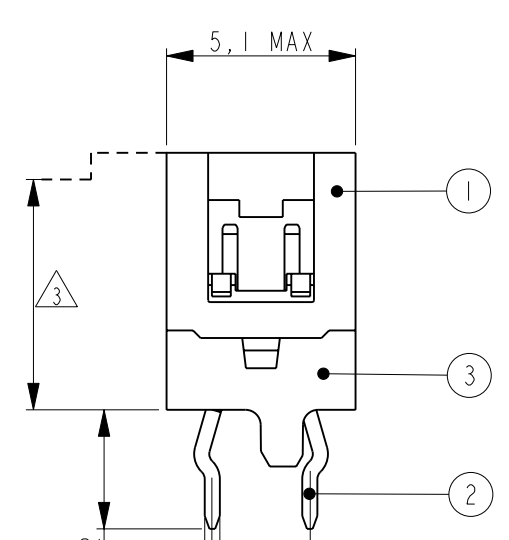
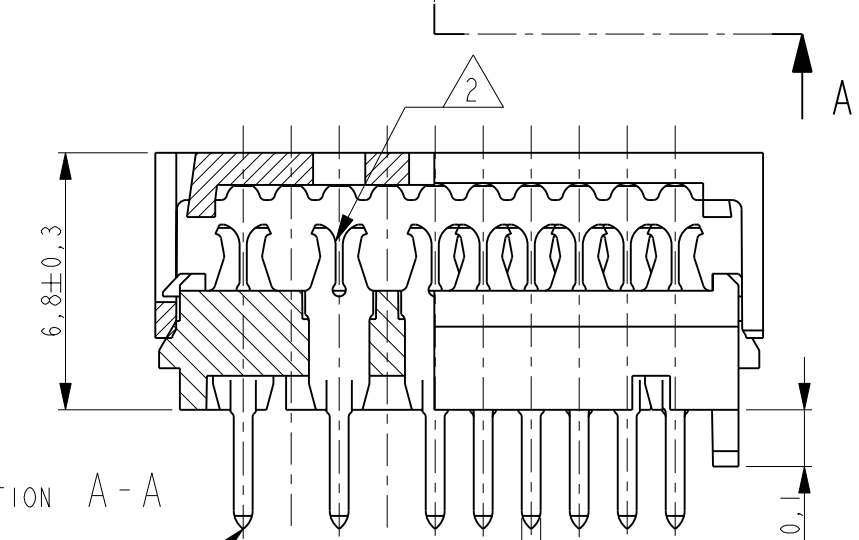
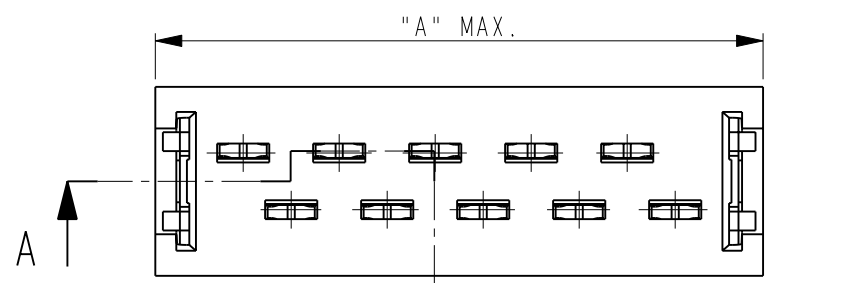
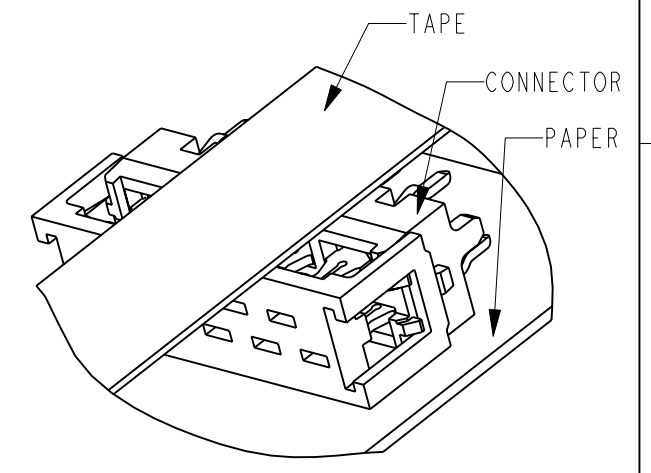


THIS DRAWING IS UNPUBLISHED. RELEASED FOR PUBLICATION  
 © COPYRIGHT 19 ALL RIGHTS RESERVED.

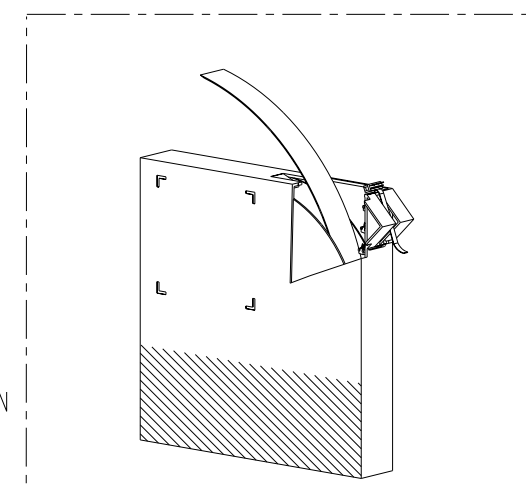
LOC	DIST	REVISIONS			
P	LTR	DESCRIPTION	DATE	DWN	APVD
H	-	WI	REVISED PER ECO-11-005294	21MAR2011	RK HMR



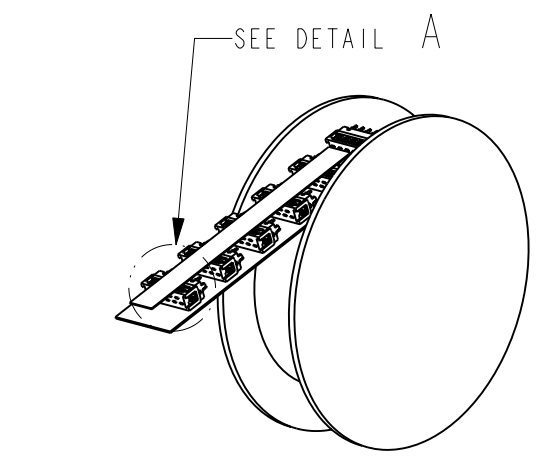
PARTNUMBER BOX PACKAGING	PARTNUMBER REEL PACKAGING	NO OF POS "n"	DIMENSION "A" MAX
7-215570-4	215570-4	4	8,6
7-215570-6	215570-6	6	11,1
7-215570-8	215570-8	8	13,6
8-215570-0	1-215570-0	10	16,2
8-215570-2	1-215570-2	12	18,7
8-215570-4	1-215570-4	14	21,3
8-215570-6	1-215570-6	16	23,8
8-215570-8	1-215570-8	18	26,3
9-215570-0	2-215570-0	20	28,9
9-215570-4	2-215570-4	24	34,0



DETAIL A  
 DEREELING DIRECTION AND POSITION OF CONNECTORS.

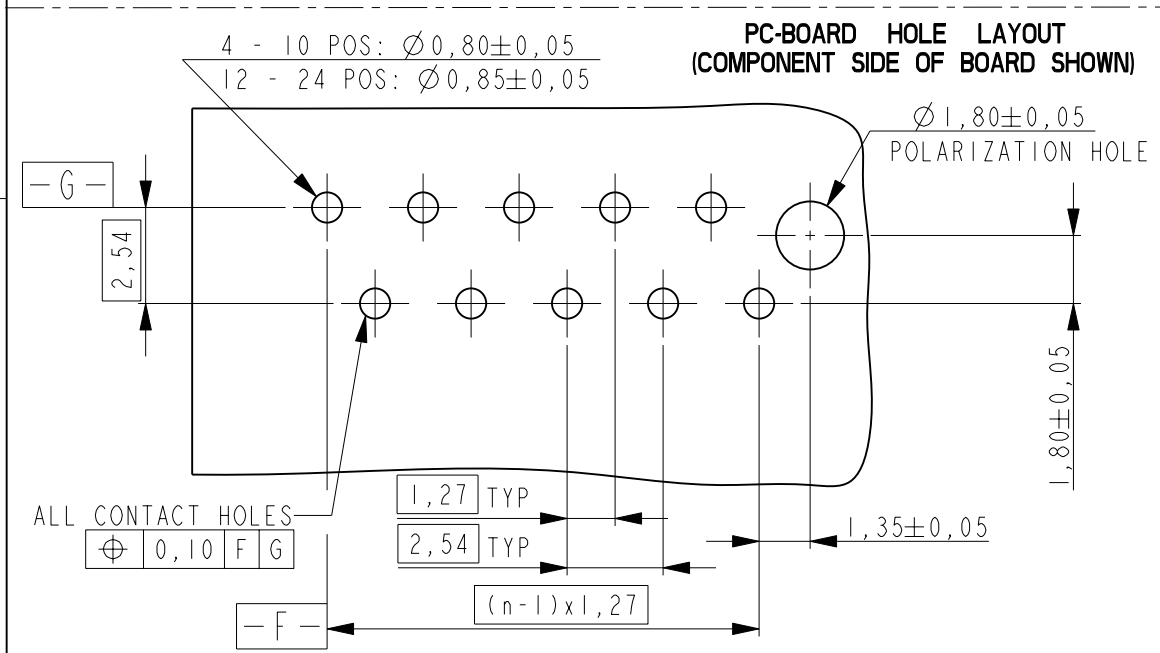


250 CONNECTORS PER BOX.  
**BOX PACKAGING**



2500 CONNECTORS PER REEL.  
**REEL PACKAGING**

- NOTES:
- 1 SHOWN IS A 10 POS. CONNECTOR
  - 2 FOR FLAT RIBBON CABLE REQUIREMENTS, SEE APPLICATION SPEC 114-19016.
  - 3 CONNECTOR-HEIGHT AFTER CABLE TERMINATION 5,1mm AVERAGE, DEPENDING ON PROCESSING, SEE APPLICATION SPEC 114-19016.
  - 4 REF. CONTACT SHOULDER BOTTOM, THAT CAN TOUCH THE PC-BOARD SURFACE.



THIS DRAWING IS A CONTROLLED DOCUMENT.

DIMENSIONS:	TOLERANCES UNLESS OTHERWISE SPECIFIED:
mm	0 PLC ±-
	1 PLC ±-
	2 PLC ±-
	3 PLC ±-
	4 PLC ±-
	ANGLES ±-
MATERIAL	FINISH
SEE TABLE	SEE TABLE

3	PADDLEBOARD HOUSING	G.F.POLYESTER (RED)	-
2	CONTACT	PHOSFOR BRONZE	TIN OVER NICKEL
1	COVER	G.F.POLYESTER (RED)	-
Item no.	Description	Material	Finish
TE Connectivity			
Micro-MaTch PADDLE BOARD CONNECTOR			
Item no.	108-19052	SIZE	A3
APVD	F. LEIJTENS	CAGE CODE	00779
PRODUCT SPEC	114-19016	DRAWING NO	C-215570
APPLICATION SPEC		RESTRICTED TO	-
WEIGHT	-	SCALE	5:1
CUSTOMER DRAWING		SHEET	1 OF 1
		REV	WI