

THIS DRAWING IS UNPUBLISHED.

RELEASED FOR PUBLICATION

ALL RIGHTS RESERVED.

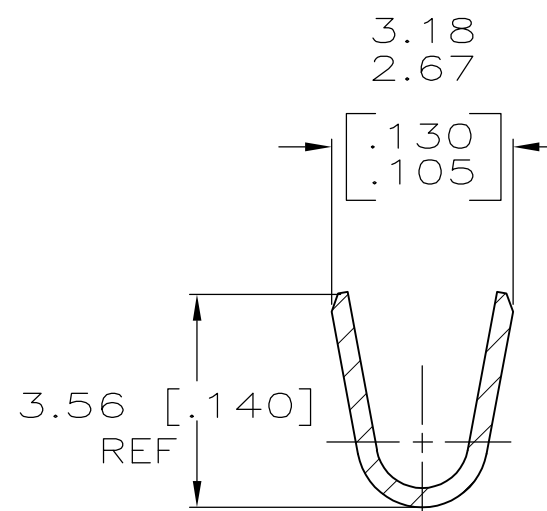
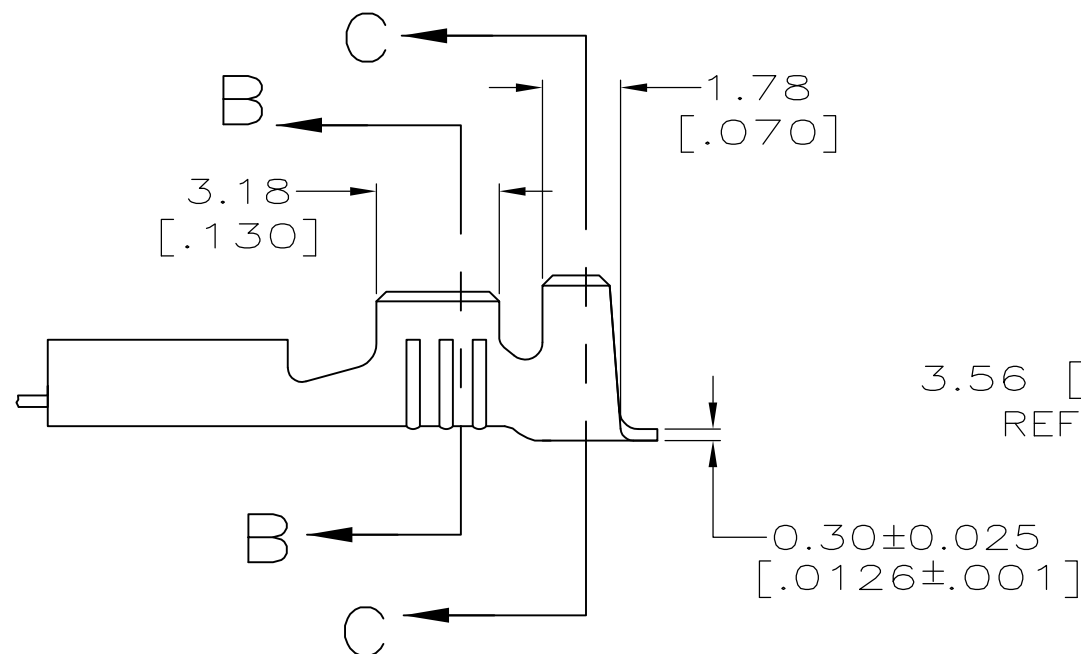
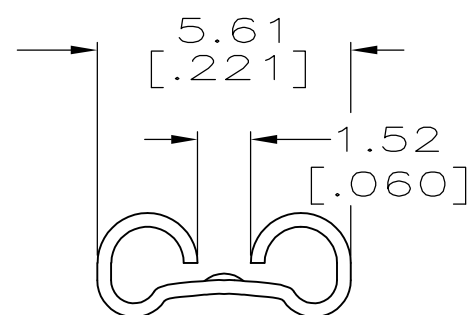
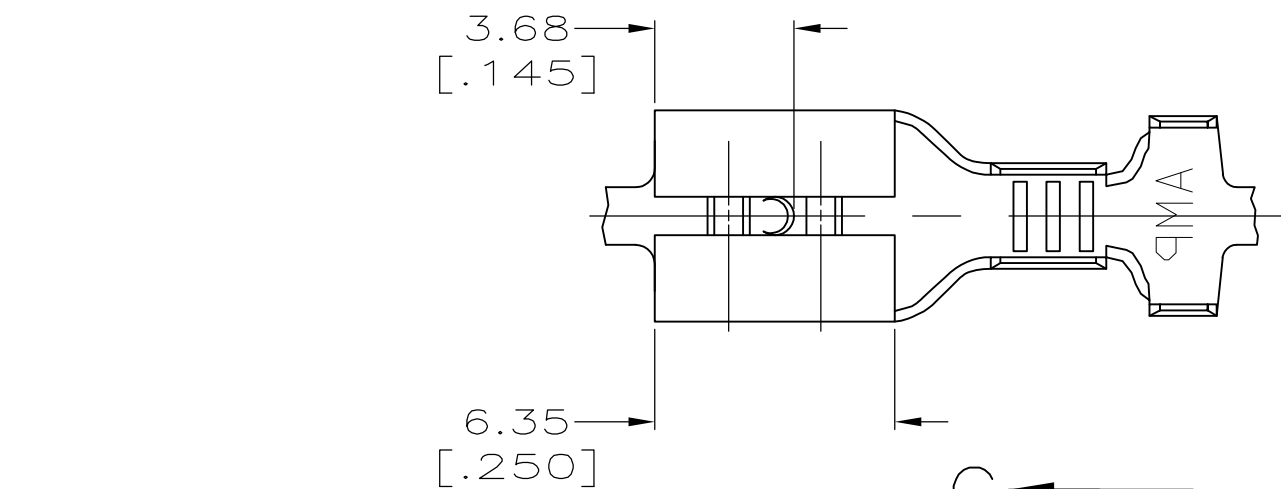
© COPYRIGHT - By -

LOC AF DIST 50

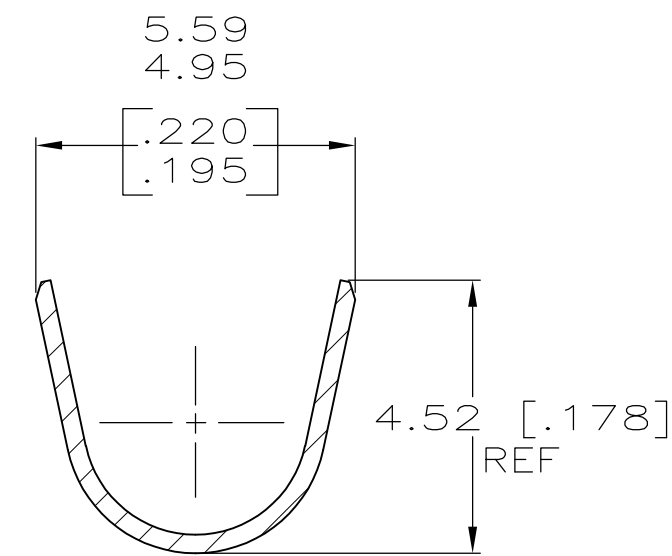
REVISIONS

P	LTR	DESCRIPTION	DATE	DWN	APVD
	C	REVISED PER ECR-12-013518	26NOV2012	KH	PD

- 1 CONTINUOUS STRIP ON REELS.
- 2 WIRE SIZE IS [#18-#14] AWG.
- 3 INSULATION RANGE IS 2.79-4.06 [.110-.160] DIA.
- 4 MATING TAB THK IS 0.51 ± 0.025 [.020±.001].



SECTION B-B
SCALE 8:1



SECTION C-C
SCALE 8:1

1217149-1
PART NO.

THIS DRAWING IS A CONTROLLED DOCUMENT.		DWN JR RUTH 6MAY99	STE TE Connectivity		
DIMENSIONS: mm [INCHES]		CHK MS FEHER 6MAY99			
TOLERANCES UNLESS OTHERWISE SPECIFIED:		APVD S HEADER 6MAY99	NAME RECEPTACLE, FASTON™ 4.75 [.187] SERIES		
0 PLC ± -		PRODUCT SPEC -	SIZE A3	CAGE CODE 00779	DRAWING NO C-1217149
1 PLC ± -		APPLICATION SPEC -	RESTRICTED TO -		
2 PLC ± 0.25 [.010]		WEIGHT -	SCALE 5:1 SHEET 1 OF 1 REV C		
3 PLC ± -		CUSTOMER DRAWING			
4 PLC ± -					
ANGLES ± -					
MATERIAL BRASS		FINISH TIN			