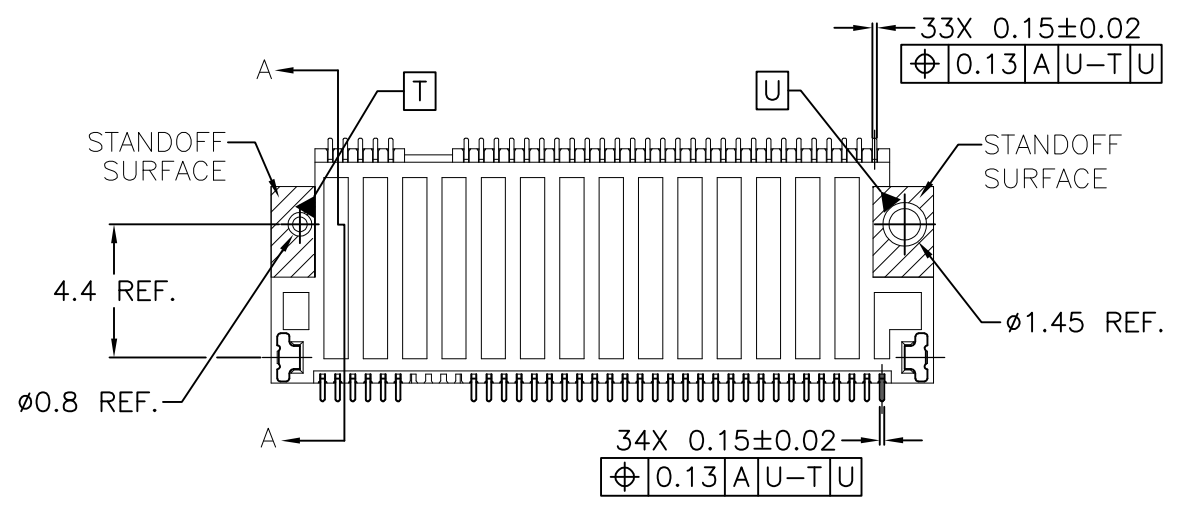
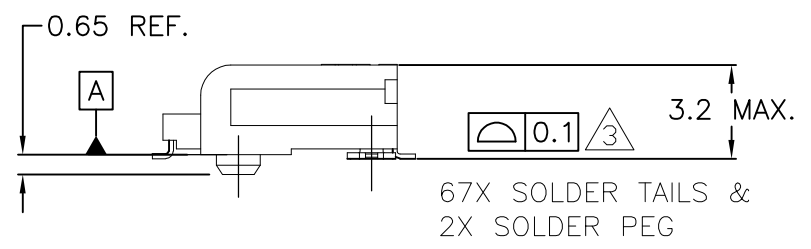
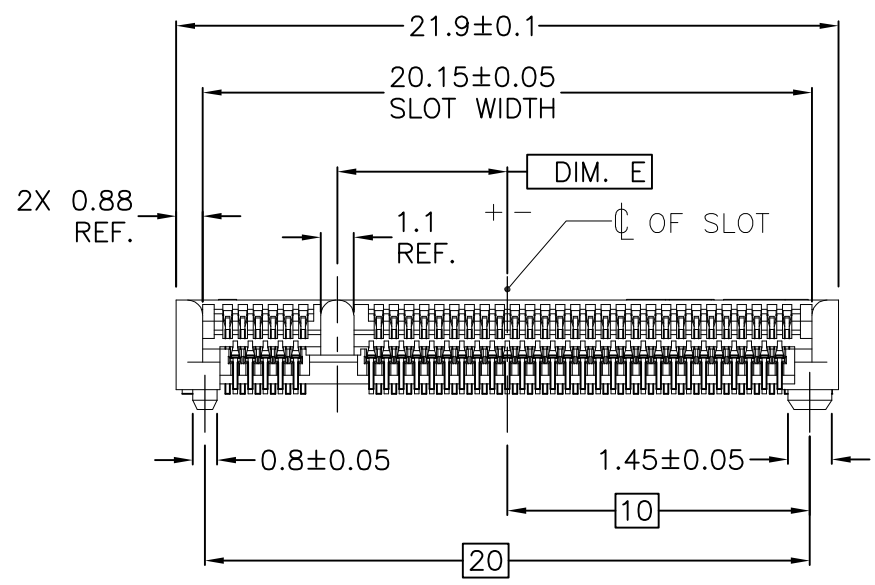
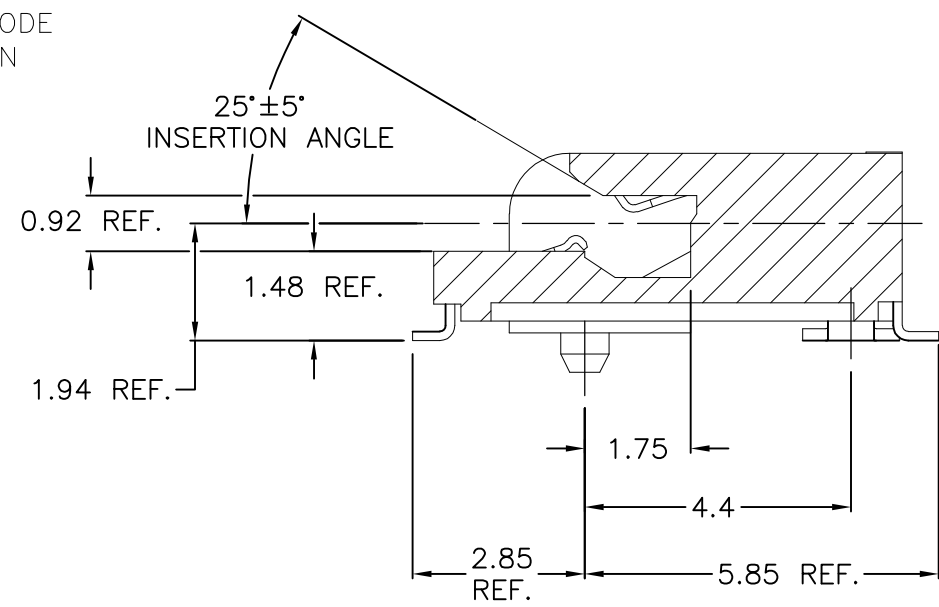
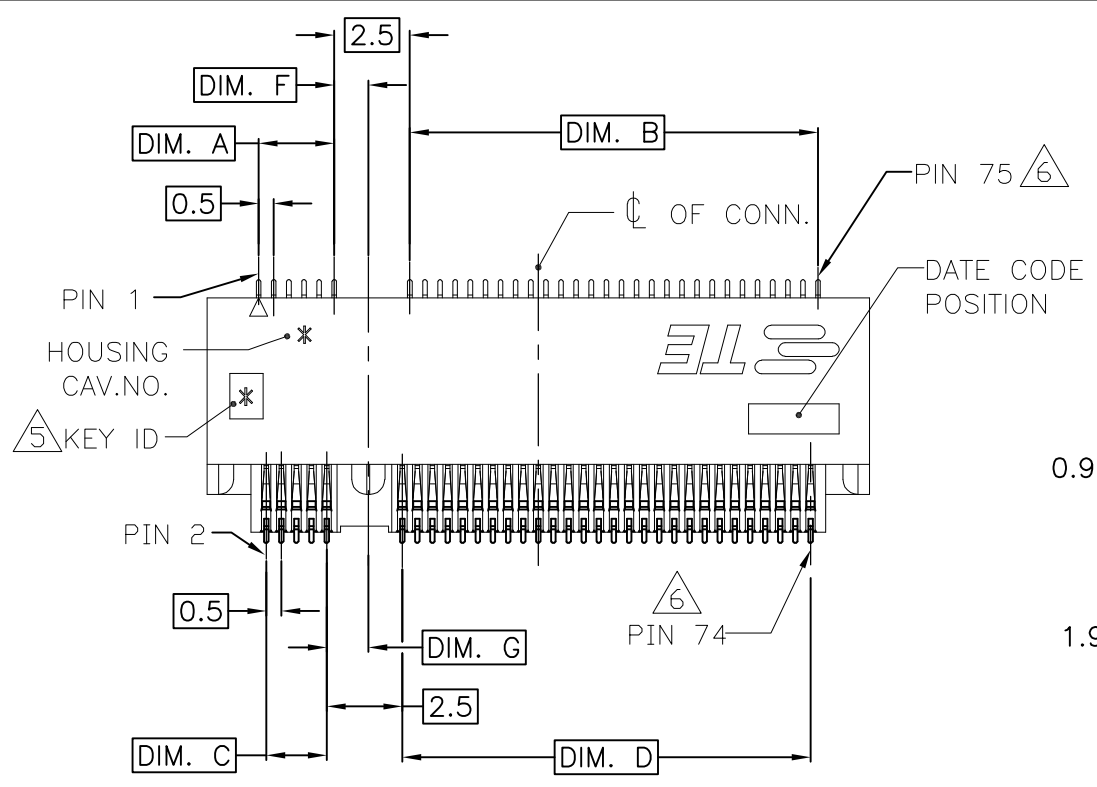


THIS DRAWING IS UNPUBLISHED. RELEASED FOR PUBLICATION  
 © COPYRIGHT - By - ALL RIGHTS RESERVED.

LOC		DIST		REVISIONS			
P	LTR	DESCRIPTION	DATE	DWN	APVD		
	C	REVISED PER ECR-14-012058	11AUG2014	S.W	W.H		



- NOTES:
- MATERIAL:
    - HOUSING : HIGH TEMPERATURE THERMOPLASTIC UL94V-0, COLOR: BLACK.
    - CONTACT: COPPER ALLOY.
    - SOLDER PEG: STAINLESS STEEL.
  - FINISH:
    - CONTACT: UNDERCOAT NICKEL 50u" min. ALL OVER; MATING AREA: GOLD PLATING, THE THICKNESS SEE TABLE LIST; SOLDERABLE AREA: GOLDFLASH.
    - SOLDER PEG: UNDERCOAT: NICKEL 50u" min. ALL OVER SOLDERABLE AREA: MATTE TIN 100u" min.
  - COPLANARITY: 0.10mm MAX.(BEFORE SOLDERING).
  - ACCEPTED MODULE BASED ON INDUSTRY STD.
  - KEY ID, "\*" IS A CAPITAL LETTER PER THE PART NO.
  - THE PIN NO. DEFINITIONS ARE ACCORDING TO PCB FOOTPRINT, THE ACTUAL PIN QUANTITY IS ONLY 67 POS. FOR KEY TAKING OUT 8 POS.
  - THE PRODUCT IS RoHS COMPLIANT, BR 900PPM MAX., CL 900PPM MAX. BR+CL 1500 PPM MAX.
  - MINUS MEANS  $\varnothing$  OF KEY IS ON THE RIGHT SIDE OF CONN.  $\varnothing$  IN PAGE 1.



THIS DRAWING IS A CONTROLLED DOCUMENT.		DWN SIMON WU 90CT2012	TE Connectivity			
DIMENSIONS: mm		CHK SIMON LI 90CT2012				
TOLERANCES UNLESS OTHERWISE SPECIFIED:		APVD COREL WANG 90CT2012	NAME			
0 PLC ± 0.30 1 PLC ± 0.30 2 PLC ± 0.20 3 PLC ± 0.10 4 PLC ANGLES ± - ± 3°		PRODUCT SPEC	M.2(NGFF) MINI CARD MOUNTING TYPE 0.50mm PITCH 67 POS. 3.2mm HEIGHT FOR DOUBLE SIDED MODULE			
MATERIAL		APPLICATION SPEC	SIZE	CAGE CODE	DRAWING NO	RESTRICTED TO
FINISH		114-115006	A3	00779	C-2199119	-
CUSTOMER DRAWING			WEIGHT 0.51 G	SCALE 4:1	SHEET 1 OF 4	REV C

THIS DRAWING IS UNPUBLISHED. RELEASED FOR PUBLICATION  
 © COPYRIGHT - By - ALL RIGHTS RESERVED.

LOC		DIST		REVISIONS			
P	LTR	DESCRIPTION		DATE	DWN	APVD	
-	-	-	-	SEE SHEET 1	-	-	

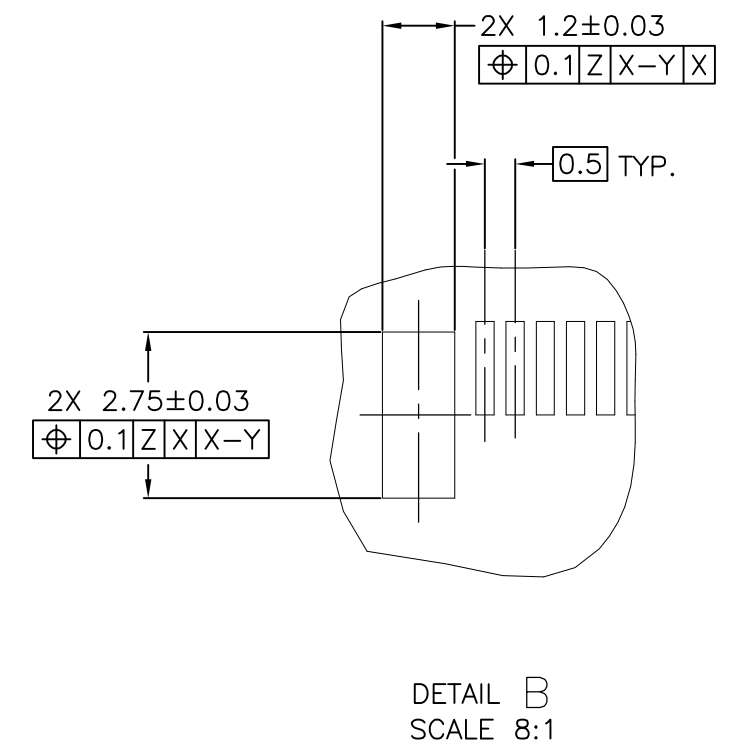
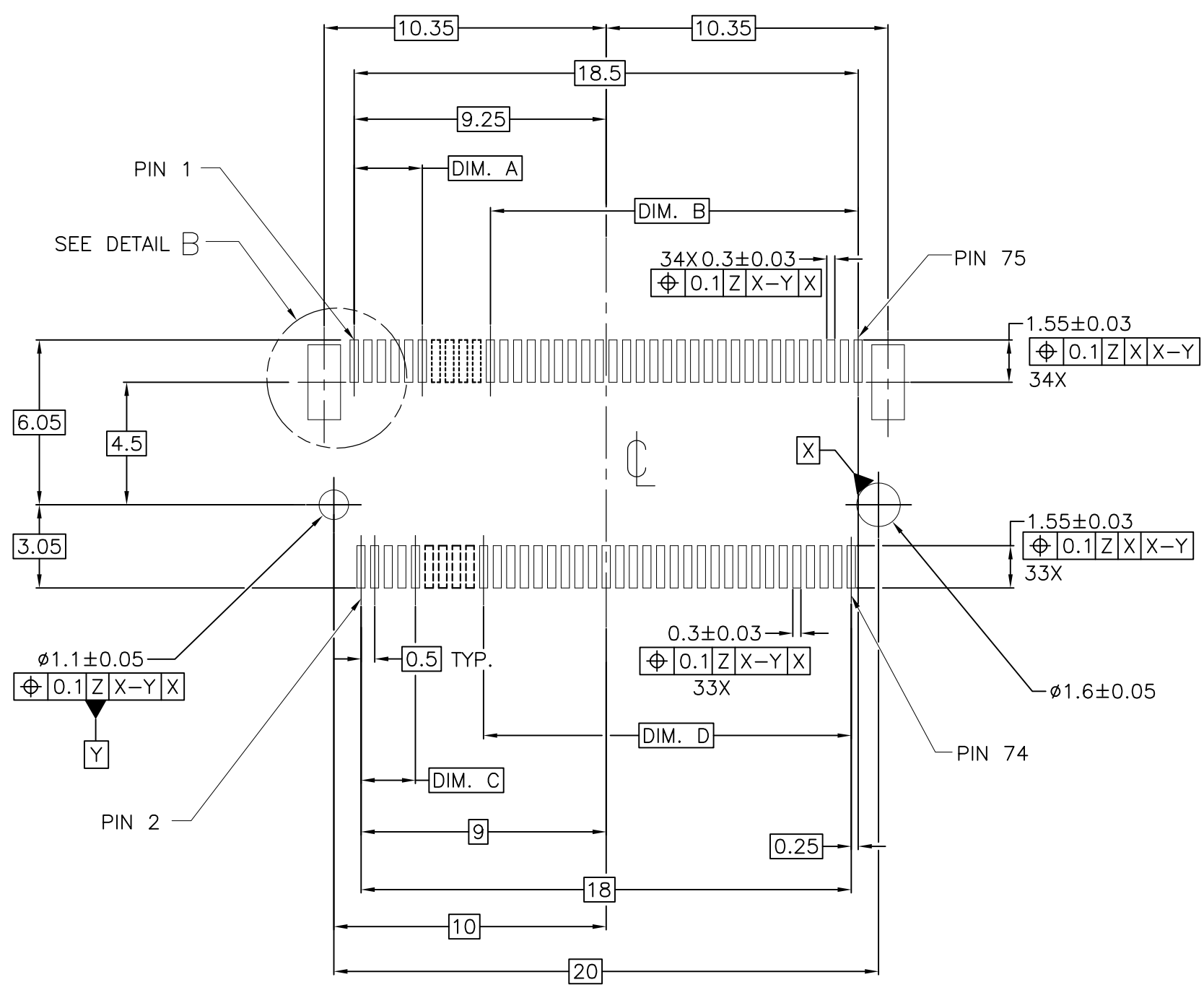


KEY ID.	PRODUCT SPEC.	GOLD SPEC.	DIM. G	DIM. F	DIM. E	DIM. D	DIM. C	DIM. B	DIM. A	PART NO.
M	108-115042	30u" MIN.	1.125	1.375	-6.125	1.5	14.0	2.0	14.0	1-2199119-6
		15u" MIN.								1-2199119-5
		10u" MIN.								1-2199119-4
	108-115049	GOLD FLASH								1-2199119-3
A	108-115042	10u" MIN.			6.625	14.5	1.0	14.5	1.5	1-2199119-2
E					2.625	10.5	5.0	10.5	5.5	1-2199119-1
B					5.625	13.5	2.0	13.5	2.5	1-2199119-0
A	108-115042	30u" MIN.	1.375	1.125	6.625	14.5	1.0	14.5	1.5	2199119-9
		15u" MIN.								2199119-8
		108-115049								GOLD FLASH
E	108-115042	30u" MIN.			2.625	10.5	5.0	10.5	5.5	2199119-6
B					5.625	13.5	2.0	13.5	2.5	2199119-5
E					2.625	10.5	5.0	10.5	5.5	2199119-4
B	108-115042	15u" MIN.			5.625	13.5	2.0	13.5	2.5	2199119-3
E					2.625	10.5	5.0	10.5	5.5	2199119-2
B					5.625	13.5	2.0	13.5	2.5	2199119-1
	108-115049	GOLD FLASH			5.625	13.5	2.0	13.5	2.5	2199119-1

THIS DRAWING IS A CONTROLLED DOCUMENT.		DWN SIMON WU 90CT2012	 TE Connectivity	
DIMENSIONS: mm		CHK SIMON LI 90CT2012		
		APVD COREL WANG 90CT2012	NAME M.2(NGFF) MINI CARD MOUNTING TYPE 0.50mm PITCH 67 POS. 3.2mm HEIGHT FOR DOUBLE SIDED MODULE	
TOLERANCES UNLESS OTHERWISE SPECIFIED:		PRODUCT SPEC	SIZE A3	
0 PLC ± 0.30		APPLICATION SPEC	CAGE CODE 00779	DRAWING NO C-2199119
1 PLC ± 0.30		WEIGHT	RESTRICTED TO	
2 PLC ± 0.20			-	
3 PLC ± 0.10				
4 PLC ± -				
ANGLES ± 3'				
MATERIAL			SCALE 4:1	
FINISH			SHEET 2 OF 4	
			REV C	
		CUSTOMER DRAWING		


THIS DRAWING IS UNPUBLISHED. RELEASED FOR PUBLICATION  
 © COPYRIGHT - By - ALL RIGHTS RESERVED.

LOC	DIST	REVISIONS					
		P	LTR	DESCRIPTION	DATE	DWN	APVD
-	-	-	-	SEE SHEET 1	-	-	-



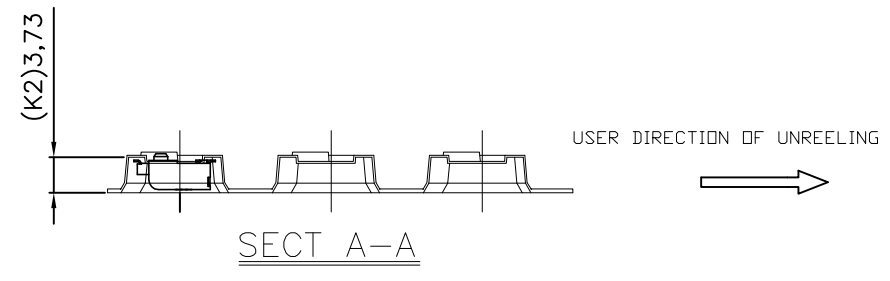
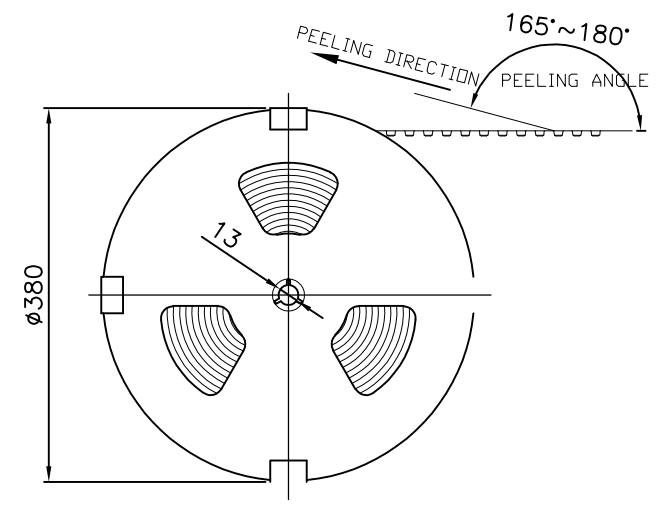
RECOMMENDED NGFF MINI CARD MOUNTING TYPE\_SMT\_PCB OUTLINE  
 DATUM Z: PCB SOLDER SURFACE

M	1.5	14.0	2.0	14.0
E	10.5	5.0	10.5	5.5
B	13.5	2.0	13.5	2.5
A	14.5	1.0	14.5	1.5
KEY ID.	DIM. D	DIM. C	DIM. B	DIM. A

THIS DRAWING IS A CONTROLLED DOCUMENT.		DWN	SIMON WU	90CT2012	 <b>TE Connectivity</b>
DIMENSIONS: mm		CHK	SIMON LI	90CT2012	
TOLERANCES UNLESS OTHERWISE SPECIFIED:		APVD	COREL WANG	90CT2012	
0 PLC ± 0.30 1 PLC ± 0.30 2 PLC ± 0.20 3 PLC ± 0.10 4 PLC ± - ANGLES ± 3°		PRODUCT SPEC	NAME		
MATERIAL		FINISH		M.2(NGFF) MINI CARD MOUNTING TYPE 0.50mm PITCH 67 POS. 3.2mm HEIGHT FOR DOUBLE SIDED MODULE	
-		-		WEIGHT	RESTRICTED TO
-		-		SIZE A3 CAGE CODE 00779 DRAWING NO. C-2199119	-
-		-		CUSTOMER DRAWING	SCALE 5:1
-		-		SHEET 3 OF 4	REV C

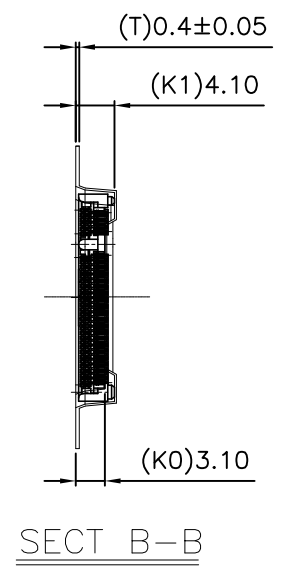
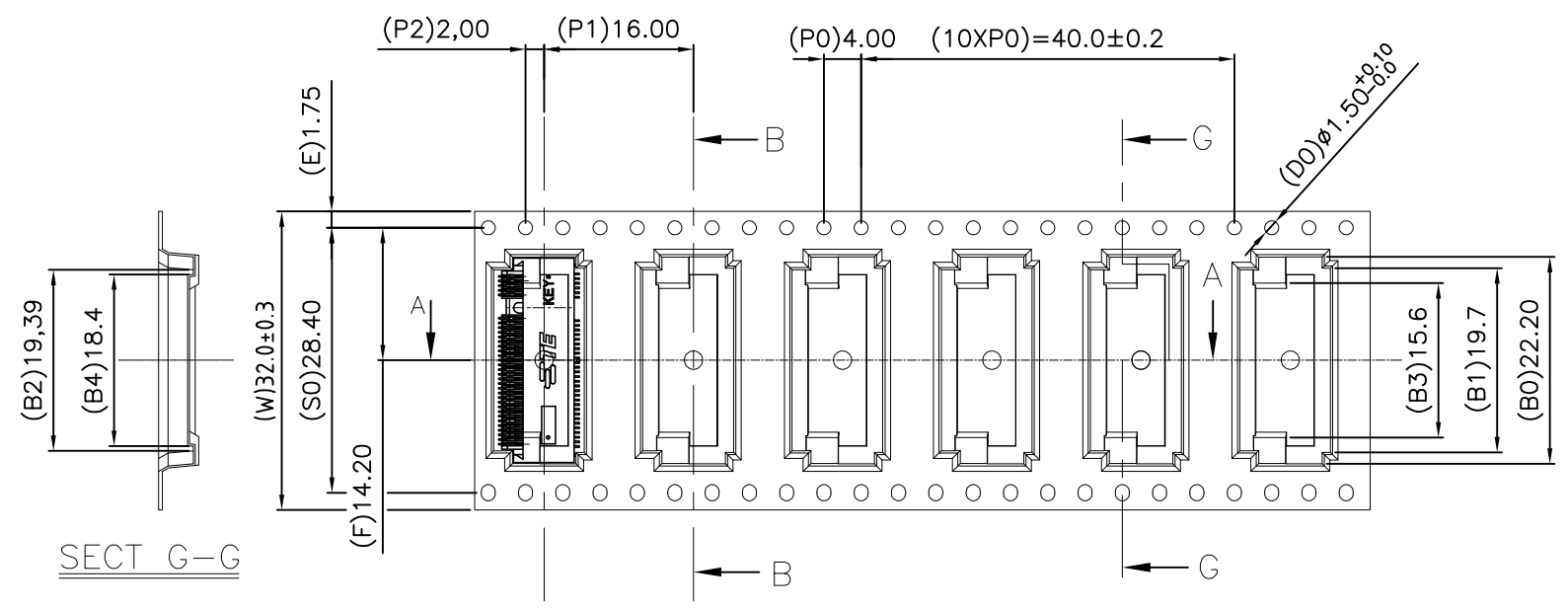
THIS DRAWING IS UNPUBLISHED. RELEASED FOR PUBLICATION  
 © COPYRIGHT - By - ALL RIGHTS RESERVED.

LOC		DIST		REVISIONS			
P	LTR	DESCRIPTION	DATE	DWN	APVD		
-	-	SEE SHEET 1	-	-	-		



NOTES: (APPLIED TO CURRENT SHEET)

1. THE DIRECTION OF EACH CONNECTOR ON A EMBOSS IS REFERRED TO THIS DRAWING.
2. GENERAL TOLERANCE:  $\pm 0.5$ ,  $\pm 3^\circ$
3. PACKAGED IN EMBOSS TAPE AND PLASTIC RELL 1200PCS PER REEL.



THIS DRAWING IS A CONTROLLED DOCUMENT.		DWN SIMON WU 90CT2012	TE Connectivity														
DIMENSIONS: mm		CHK SIMON LI 90CT2012															
TOLERANCES UNLESS OTHERWISE SPECIFIED:		APVD COREL WANG 90CT2012	NAME														
<table border="0"> <tr><td>0 PLC</td><td><math>\pm 0.30</math></td></tr> <tr><td>1 PLC</td><td><math>\pm 0.30</math></td></tr> <tr><td>2 PLC</td><td><math>\pm 0.20</math></td></tr> <tr><td>3 PLC</td><td><math>\pm 0.10</math></td></tr> <tr><td>4 PLC</td><td><math>\pm -</math></td></tr> <tr><td>ANGLES</td><td><math>\pm 3^\circ</math></td></tr> </table>		0 PLC	$\pm 0.30$	1 PLC	$\pm 0.30$	2 PLC	$\pm 0.20$	3 PLC	$\pm 0.10$	4 PLC	$\pm -$	ANGLES	$\pm 3^\circ$	PRODUCT SPEC	M.2(NGFF) MINI CARD MOUNTING TYPE 0.50mm PITCH 67 POS. 3.2mm HEIGHT FOR DOUBLE SIDED MODULE		
0 PLC	$\pm 0.30$																
1 PLC	$\pm 0.30$																
2 PLC	$\pm 0.20$																
3 PLC	$\pm 0.10$																
4 PLC	$\pm -$																
ANGLES	$\pm 3^\circ$																
MATERIAL		FINISH	APPLICATION SPEC	SIZE	CAGE CODE	DRAWING NO	RESTRICTED TO										
-		-	WEIGHT	A3	00779	C-2199119	-										
CUSTOMER DRAWING			SCALE	N/A	SHEET	4 OF 4	REV										
			C														