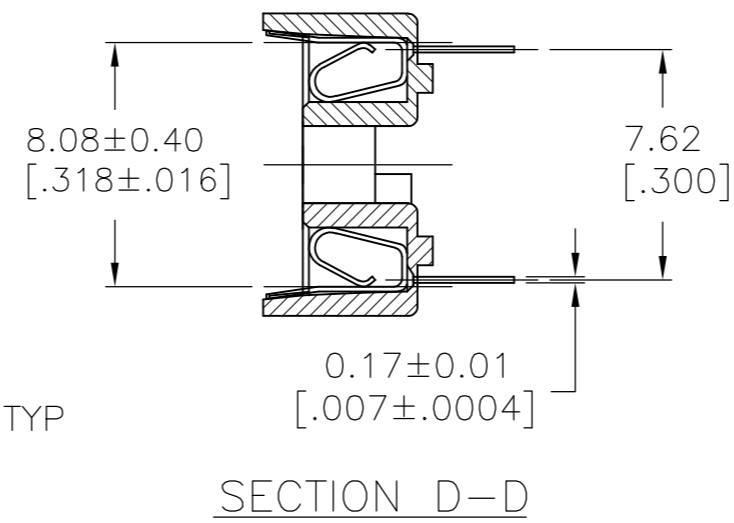
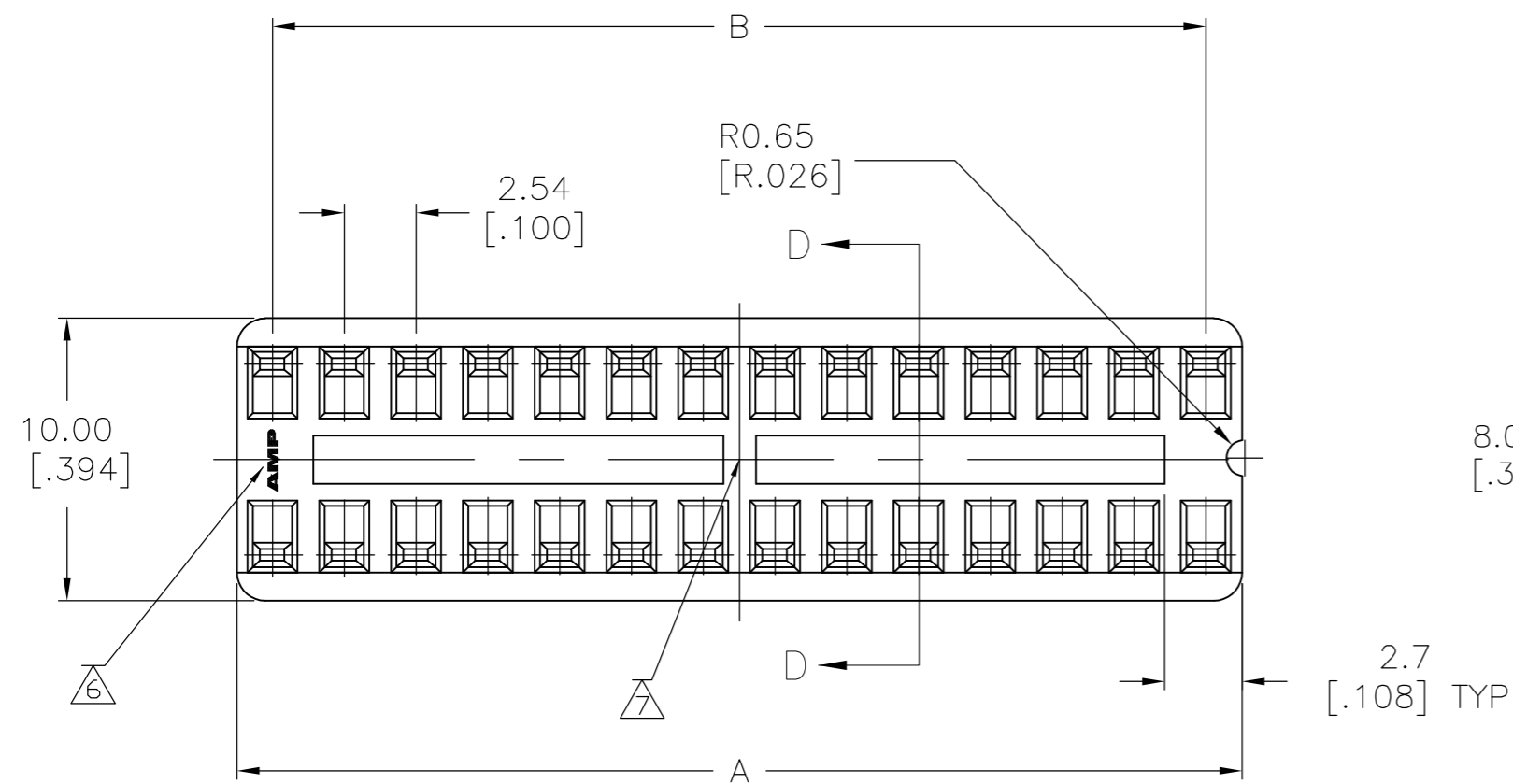


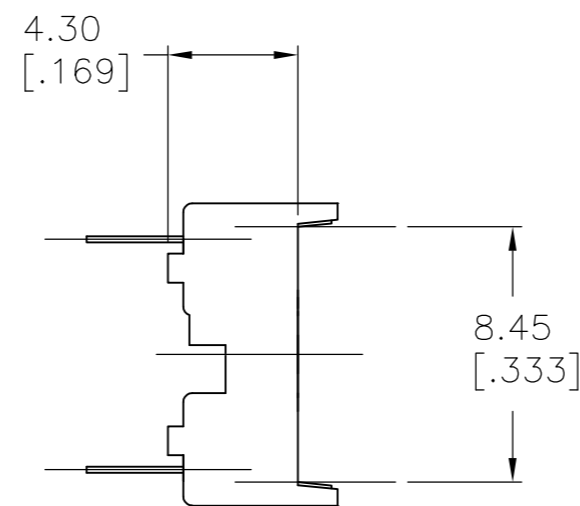
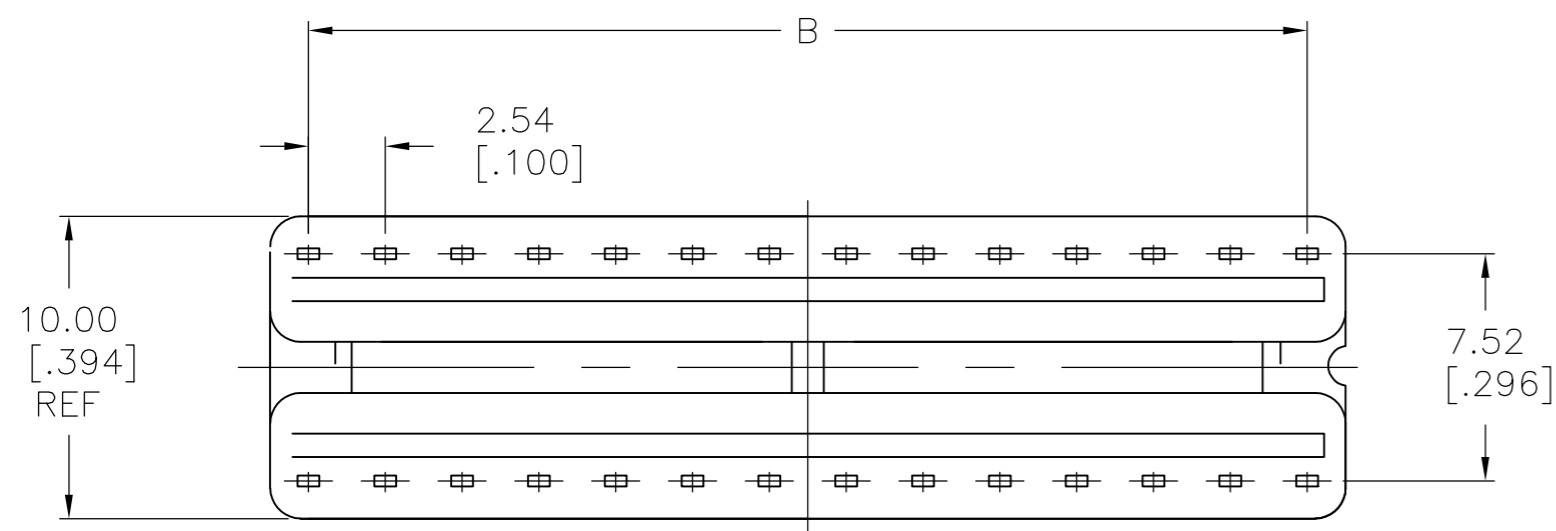
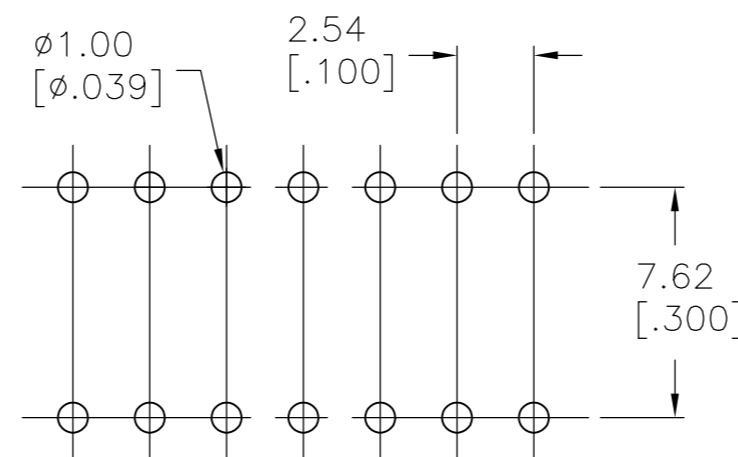
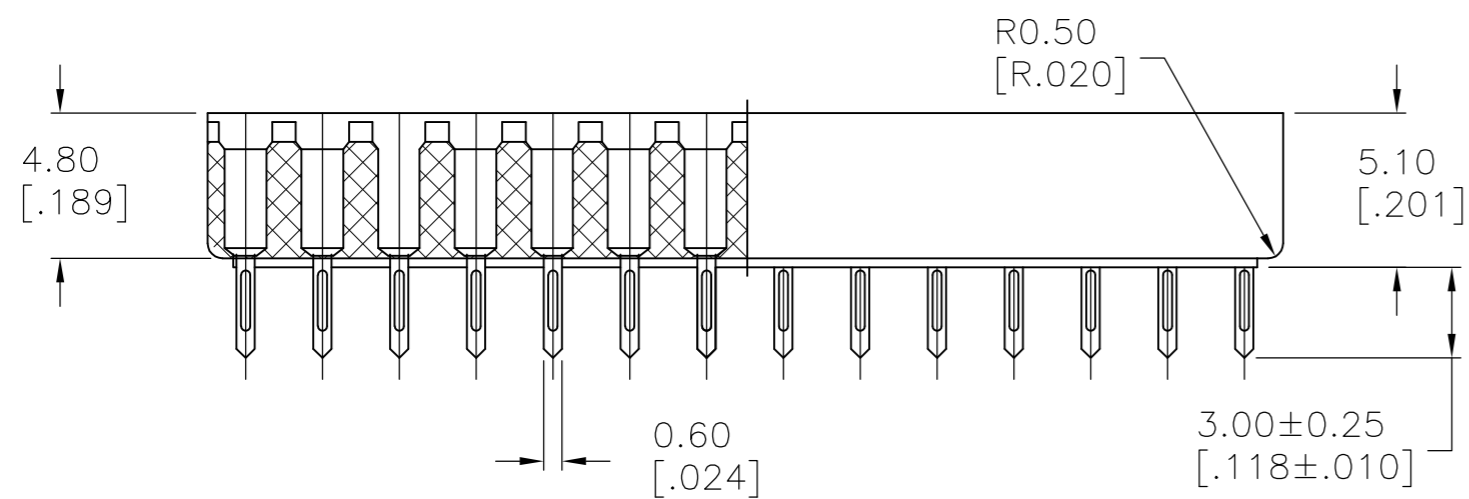
THIS DRAWING IS UNPUBLISHED. RELEASED FOR PUBLICATION
 © COPYRIGHT - By - ALL RIGHTS RESERVED.

LOC		DIST		REVISIONS			
P	LTR	DESCRIPTION		DATE	DWN	APVD	
M1		REVISED PER ECO-11-004587		11MAR11	RK	HMR	



NOTE:

- 1 MATERIAL:
HOUSING: 30% GLASS FILLED PBT, THERMOPLASTIC, BLACK.
CONTACT: PHOS BRONZE
- 2 FINISH: CONTACT PLATING: TIN-LEAD (60u INCHES MIN.)
SOLDERABILITY :95% COVERAGE MIN.;
TEST TEMPERATURE=230°C±5°C
TEST TIME = 5±5 SECONDS.
- 3. MECHANICAL SPECS:
DURABILITY: 50 CYCLES MIN.
INSERTION FORCE:300 GRAMS MAX.
WITHDRAWAL FORCE: 20 GRAMS MIN.
CONTACT RETENTION: 500 GRAMS MIN.
ACCEPTS: 0.20-0.30 [.008-.012] LEADS
- 4. ELECTRICAL SPECS:
VOLTAGE RATING: 250V AC,DC
CONTACT RESISTANCE: 20 MILLOHMS MAX.
CURRENT RATING: 1 AMPERE AC,DC
INSULATION RESISTANCE: 1000 MEGOHMS MIN.
DIELECTRIC WITHSTANDING VOLTAGE: AC 1000 V MIN.
- 5. OPERATING TEMPERATURE: -40°C TO +105°C
- 6 AMP LOGO
- 7 LADDER PRESENT FOR 24, 28 & 32 POSITION SOCKETS.
- 8 FINISH: CONTACT PLATING TIN (LEAD FREE); 60 UIN MIN. OVER 30 UIN Ni
SOLDERABILITY :95% COVERAGE MIN.;
TEST TEMPERATURE=260°±5°C;
TEST TIME = 5±5 SECONDS.



POS	FINISH	A ±0.20 [.008]	B±0.15 [.006]	PART NO.
32	2	40.64 [1.600]	38.10 [1.500]	2-390261-0
28	2	35.56 [1.400]	33.02 [1.300]	1-390261-9
24	2	30.48 [1.200]	27.94 [1.100]	1-390261-8
22	2	27.94 [1.100]	25.40 [1.000]	1-390261-7
20	2	25.40 [1.000]	22.86 [.900]	1-390261-6
18	2	22.86 [.900]	20.32 [.800]	1-390261-5
16	2	20.32 [.800]	17.78 [.700]	1-390261-4
14	2	17.78 [.700]	15.24 [.600]	1-390261-3
8	2	10.16 [.400]	7.62 [.300]	1-390261-2
6	2	7.62 [.300]	5.08 [.200]	1-390261-1
32	2	40.64 [1.600]	38.10 [1.500]	1-390261-0
28	2	35.56 [1.400]	33.02 [1.300]	390261-9
24	2	30.48 [1.200]	27.94 [1.100]	390261-8
22	2	27.94 [1.100]	25.40 [1.000]	390261-7
20	2	25.40 [1.000]	22.86 [.900]	390261-6
18	2	22.86 [.900]	20.32 [.800]	390261-5
16	2	20.32 [.800]	17.78 [.700]	390261-4
14	2	17.78 [.700]	15.24 [.600]	390261-3
8	2	10.16 [.400]	7.62 [.300]	390261-2
6	2	7.62 [.300]	5.08 [.200]	390261-1

SUPERSEDED BY 2-390261-0
 SUPERSEDED BY 1-390261-9
 SUPERSEDED BY 1-390261-8
 SUPERSEDED BY 1-390261-7
 SUPERSEDED BY 1-390261-6
 SUPERSEDED BY 1-390261-5
 SUPERSEDED BY 1-390261-4
 SUPERSEDED BY 1-390261-3
 SUPERSEDED BY 1-390261-2
 SUPERSEDED BY 1-390261-1

THIS DRAWING IS A CONTROLLED DOCUMENT. DWN BSV 06SEP2004
 CHK -
 APVD -
 PRODUCT SPEC -
 APPLICATION SPEC -
 MATERIAL -
 FINISH -

TE Connectivity
OBsolete
 DIP SOCKET, .300 CENTER LINE
 LADDER STYLE
NOT the LATEST REVISION

SIZE A2 CAGE CODE 00779 DRAWING NO. C=390261 RESTRICTED TO
 SCALE 4:1 SHEET 1 OF 1 REV M1