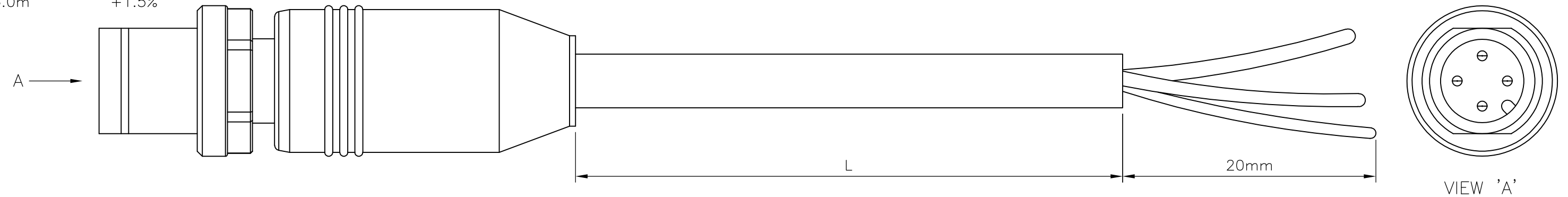


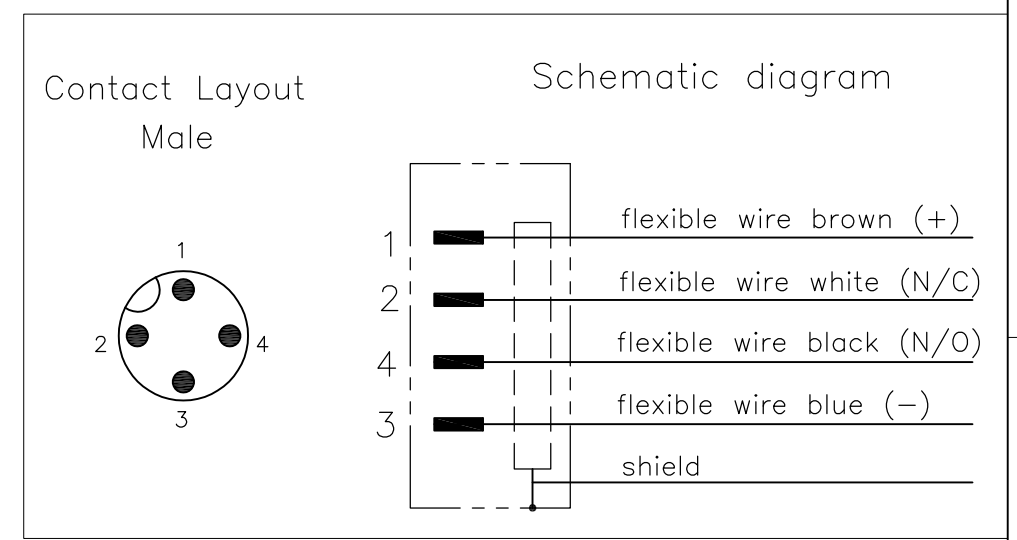
THIS DRAWING IS UNPUBLISHED. RELEASED FOR PUBLICATION  
 © COPYRIGHT - By - ALL RIGHTS RESERVED.

LOC	DIST	REVISIONS				
P	LTR	DESCRIPTION	DATE	DWN	APVD	
H	-	A	INITIAL RELEASE	15NOV2013	YC	BvH
		A1	ECR-14-011671	16AUG2014	GSK	BvH

NOTES:  
 Tolerances cable lengths:  
 0m to 0.5m +30mm  
 0.5m to 1.0m +50mm  
 1.0m to 3.0m +100mm  
 < 3.0m +1.5%



TECHNICAL DATA	
Operating voltage	max. 60 V AC/DC
Operating current per contact	max. 4 A
Locking of ports	Screw thread M12 x 1 mm (recommended torque 0.6 Nm) self-securing
Protection	IP65 and IP67 when plugged and screwed down (EN 60529)



PUR CABLE	
No./diameter of wires	4 x 0.34 mm <sup>2</sup>
Wire isolation	PVC (br, wh, bl, bk)
C-track properties	
Jacket	PUR/PVC (UL/CSA)
Outer diameter	approx. 5.9 mm
Bend radius (moving)	15 x outer diameter
Temperature range (fixed)	-30...+80 °C
Temperature range (mobile)	-5...+70 °C

LENGTH "L"	MATERIAL	JACKET COLOR	TE PN	DESCRIPTION	ITEM
4 pos	PVC	GREY	1-2273044-4	4x22AWG PVC 10.0m	8
			1-2273044-3	4x22AWG PVC 5.0m	7
			1-2273044-2	4x22AWG PVC 3.0m	6
			1-2273044-1	4x22AWG PVC 1.5m	5
4 pos	PUR	GREY	2273044-4	4x22AWG PUR 10.0m	4
			2273044-3	4x22AWG PUR 5.0m	3
			2273044-2	4x22AWG PUR 3.0m	2
			2273044-1	4x22AWG PUR 1.5m	1

PVC CABLE	
No./diameter of wires	4 x 0.34 mm <sup>2</sup>
Wire isolation	PVC (br, wh, bl, bk)
C-track properties	
Jacket	PVC (UL/CSA)
Outer diameter	approx. 5.9 mm
Bend radius (moving)	15 x outer diameter
Temperature range (fixed)	-30...+80 °C
Temperature range (mobile)	-5...+70 °C

THIS DRAWING IS A CONTROLLED DOCUMENT.

DWN	YATHISH.C	15NOV2013	TE Connectivity M12 X 1.0 STRAIGHT PLUG PIGT SHLD A			
CHK	B.VELDHOVEN	15NOV2013				
APVD	A.VAN ZANDVOORT	15NOV2013				
NAME						
PRODUCT SPEC	108-19483		SIZE	CAGE CODE	DRAWING NO	RESTRICTED TO
APPLICATION SPEC	114-32127		A3	00779	C-2273044	-
MATERIAL	-		WEIGHT	-		
DIMENSIONS: mm			CUSTOMER DRAWING			
			SCALE NTS SHEET 1 OF 1 REV A1			
TOLERANCES UNLESS OTHERWISE SPECIFIED: 0 PLC ± - 1 PLC ± - 2 PLC ± - 3 PLC ± - 4 PLC ± - ANGLES ± -			FINISH -			