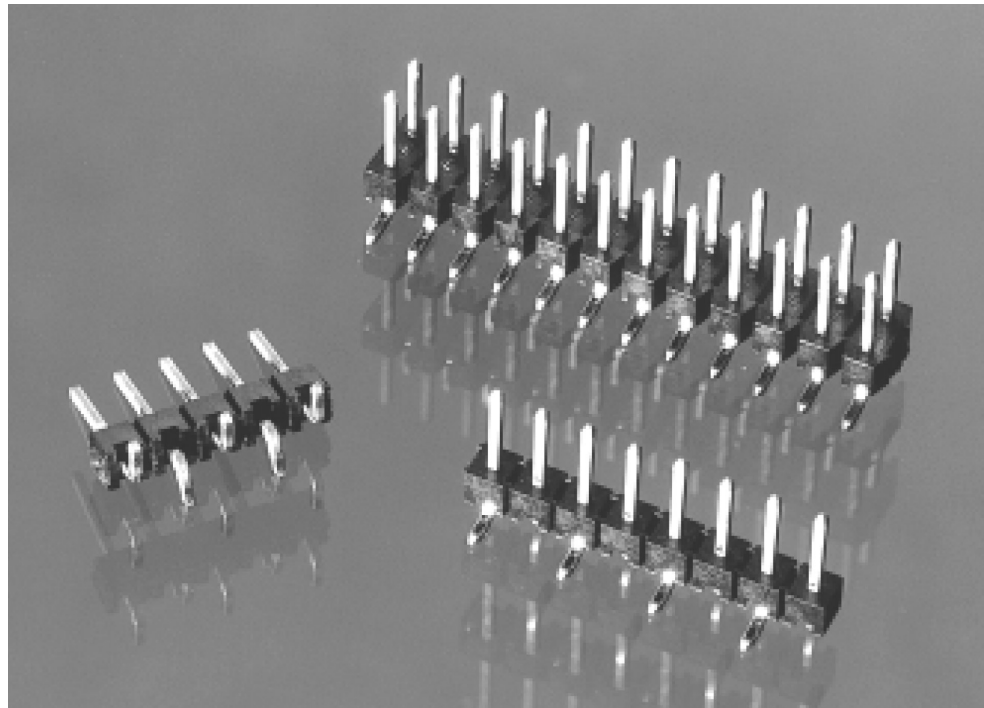


### Breakaway Surface Mount Headers (SMT)

#### Product Facts

- Surface Mount Leads
- Contact Material:  
Phosphor bronze
- High temperature, black thermoplastic housings, 94V-0 rated, capable of withstanding IR or vapourphase reflow
- Gold plated posts on mating area
- Tape and reel packaging available in addition to single tube packaging
- Pick-and-place cap available for vacuum placement



An extension of the AMPMODU Breakaway Header product family is the surface mount, vertical breakaway headers. The AMPMODU surface-mount breakaway headers (Unshrouded) are available in single- and double-row vertical configurations with different mating lengths.

Posts are offered with gold duplex plating. Current packaging is in a single tube but tape and reel is available for automatic pick-and-place.

We also can provide a pick-and-place cap for vacuum placement if required.

#### Performance Specifications:

##### Electrical

**Insulation Resistance**—

5000 megohms minimum initial

**Dielectric Withstanding Voltage**—

750 V rms at sea level

##### Environmental

**Operating Temperature**—

-65°C to +105°C

**Current**—

3 amperes maximum per contact

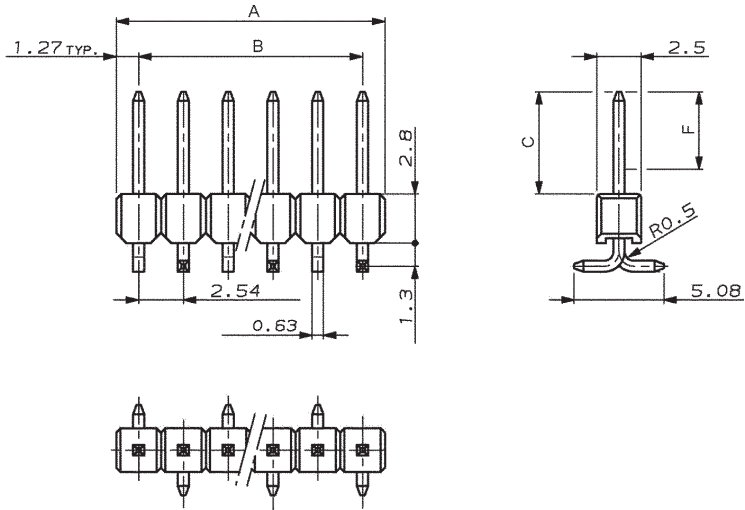
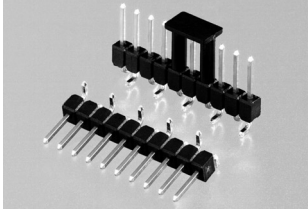
#### Technical Documents:

**Product Specification**

108-18012

### Surface Mount Headers (SMT)—Unshrouded, Duplex Gold Plated

#### Surface Mount Header, Single Row



#### Material and Finish:

**Housing**—Polyester for high operating temp. (PCT), black, glass fibre filled

**Posts**—Phosphor bronze, plated as follows:

**Contact Zone (Area F)**—0.8 μm AMP-DURAGOLD over nickel

**Soldering Zone**—min 2.5 μm tin over nickel

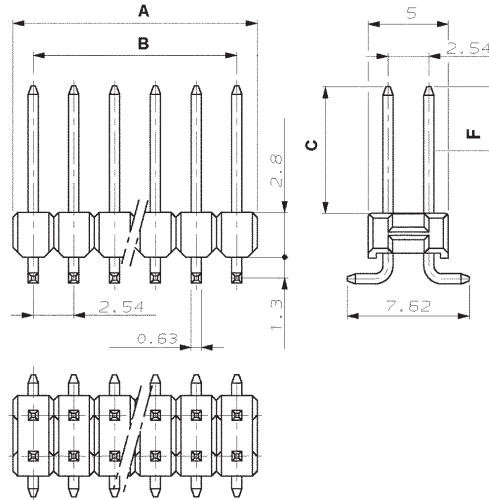
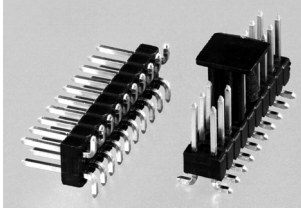
#### Technical Documents:

**Product Specification**  
108-18012

No. of Positions	Dimensions		C=5.8 F=4.4 Packaging / Part Number	
	A	B	Blister	Tube
2	5.08	2.54	1241150-2	966306-2
3	7.52	5.08	1241150-3	966306-3
4	10.06	7.62	1241150-4	966306-4
5	12.60	10.16	1241150-5	966306-5
6	15.14	12.70	1241150-6	966306-6
7	17.68	15.24	1241150-7	966306-7
8	20.22	17.78	1241150-8	966306-8
9	22.76	20.32	1241150-9	966306-9
10	25.30	22.86	1-1241150-0	1-966306-0

### Surface Mount Headers (SMT)—Unshrouded, Duplex Gold Plated

#### Surface Mount Header, Double Row



#### Material and Finish:

**Housing**—Polyester for high operating temp. (PCT), black, glass fibre filled

**Posts**—Phosphor bronze, plated as follows:

**Contact Zone (Area F)**—0.8 µm gold over nickel

**Soldering Zone**—2.5 µm min. tin over nickel

#### Technical Documents:

**Product Specification**  
108-18012

No. of Positions	Dimensions		C=5.8 F=4.4		C=7.9 F=4.4		C=9.6 F=4.4		C=11.1 F=4.4	
			Packaging / Part Nos.		Packaging / Part Nos.		Packaging / Part Nos.		Packaging / Part Nos.	
	A	B	Blister	Tube	Blister	Tube	Blister	Tube	Blister	Tube
2x2	5.08	2.54	1241050-2	966269-2	1241148-2	966579-2	-	966754-2	-	1394835-2
2x3	7.52	5.08	1241050-3	966269-3	1241148-3	966579-3	-	966754-3	-	1394835-3
2x4	10.06	7.62	1241050-4	966269-4	1241148-4	966579-4	-	966754-4	-	1394835-4
2x5	12.60	10.16	1241050-5	966269-5	1241148-5	966579-5	-	966754-5	-	1394835-5
2x6	15.14	12.70	1241050-6	966269-6	1241148-6	966579-6	-	966754-6	-	1394835-6
2x7	17.68	15.24	1241050-7	966269-7	1241148-7	966579-7	-	966754-7	-	1394835-7
2x8	20.22	17.78	1241050-8	966269-8	1241148-8	966579-8	-	966754-8	-	1394835-8
2x9	22.76	20.32	1241050-9	966269-9	1241148-9	966579-9	-	966754-9	-	1394835-9
2x10	25.30	22.86	1-1241050-0	1-966269-0	1-1241148-0	1-966579-0	-	1-966754-0	-	1-1394835-0
2x11	27.84	25.40	1-1241050-1	1-966269-1	1-1241148-1	1-966579-1	-	-	-	-
2x12	30.38	27.94	1-1241050-2	1-966269-2	1-1241148-2	1-966579-2	-	-	-	-
2x13	32.92	30.48	1-1241050-3	1-966269-3	1-1241148-3	1-966579-3	-	-	-	-
2x14	35.46	33.02	1-1241050-4	1-966269-4	1-1241148-4	1-966579-4	-	-	-	-
2x15	38.00	35.56	1-1241050-5	1-966269-5	1-1241148-5	1-966579-5	-	-	-	-
2x16	40.54	38.10	1-1241050-6	1-966269-6	-	-	-	-	-	-
2x17	43.08	40.64	1-1241050-7	1-966269-7	-	-	-	-	-	-