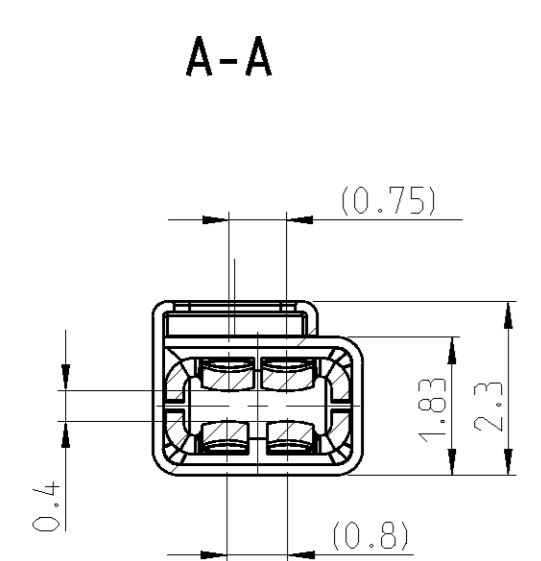
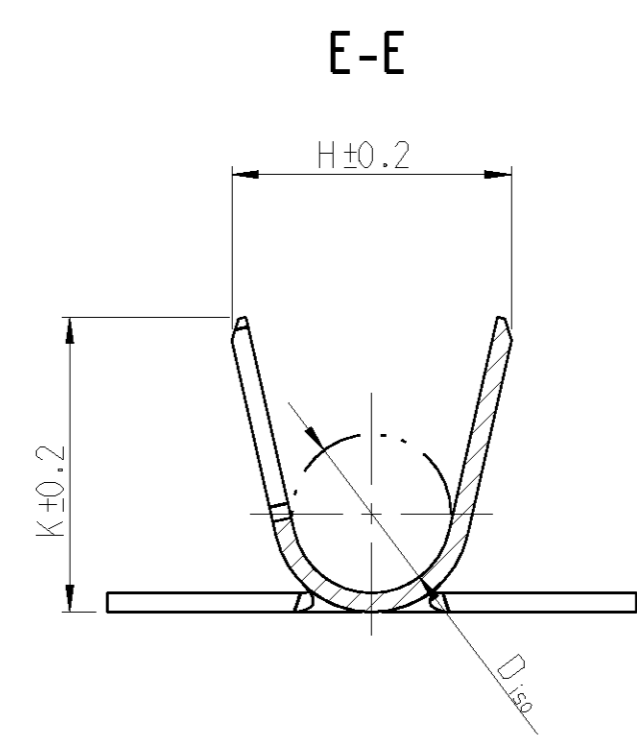
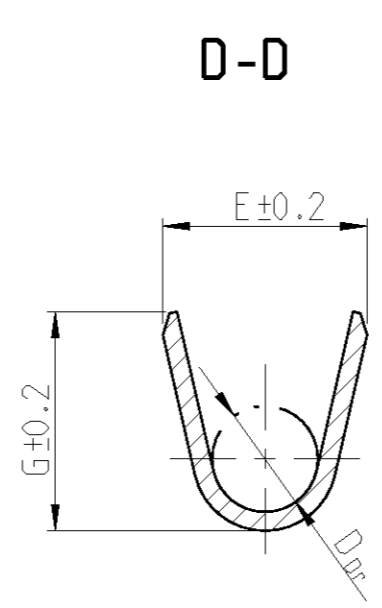
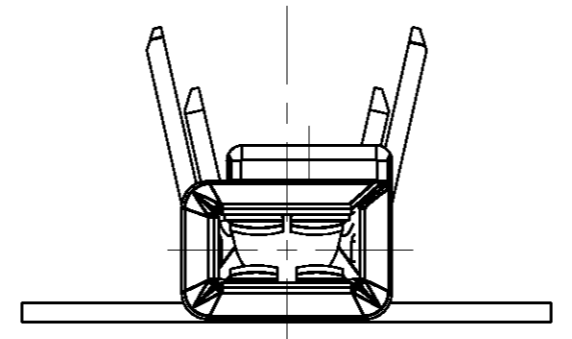
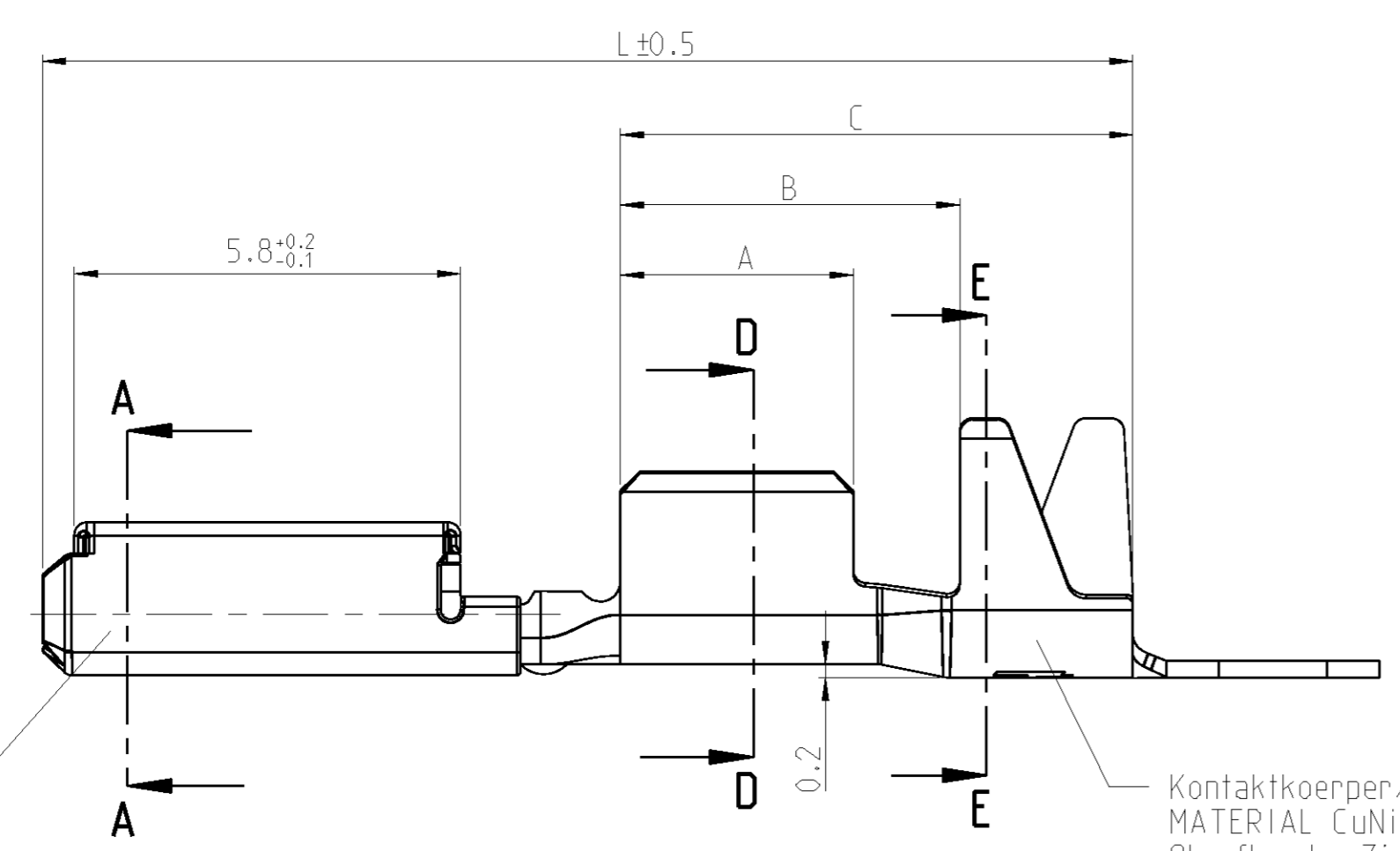
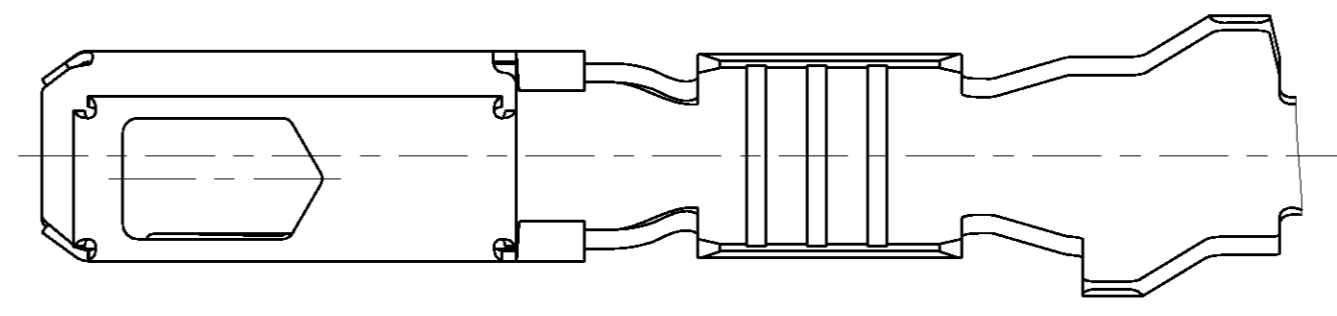
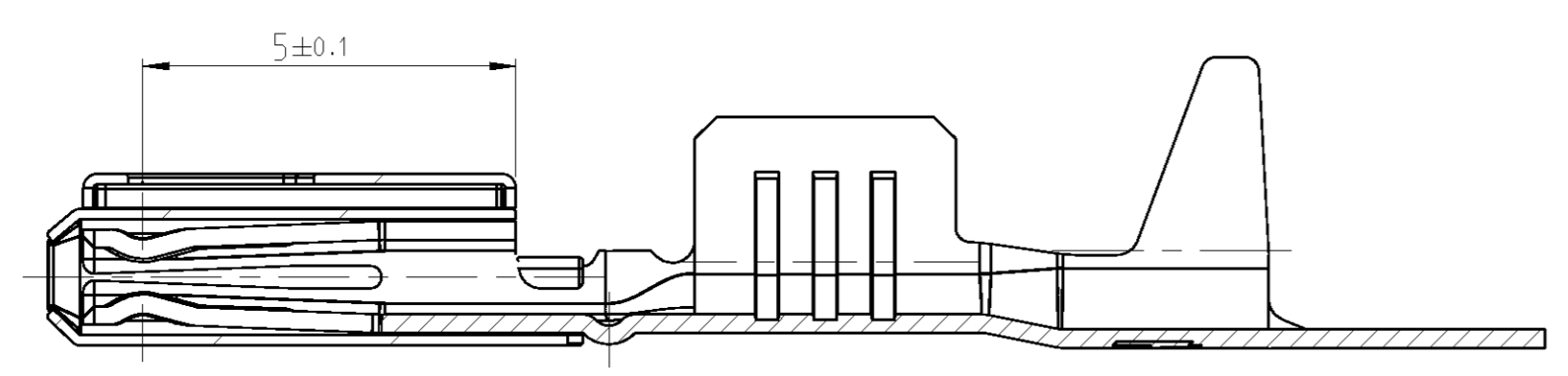
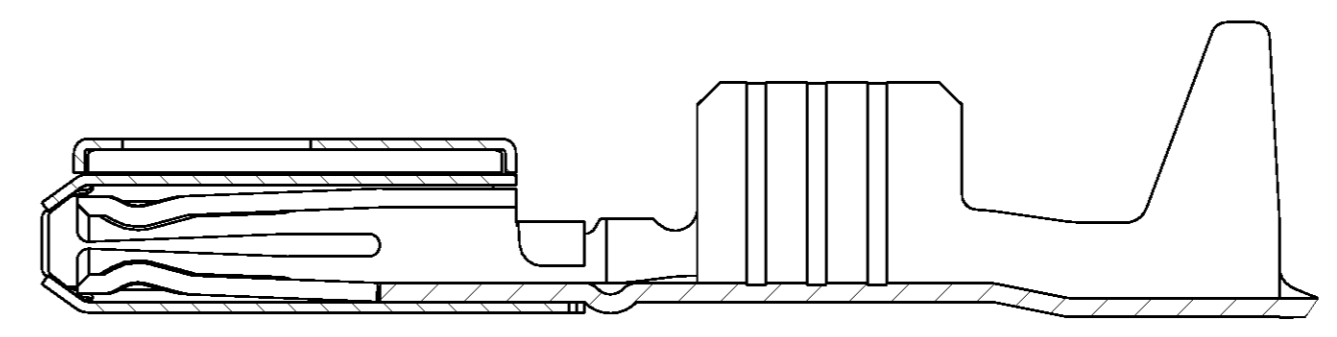
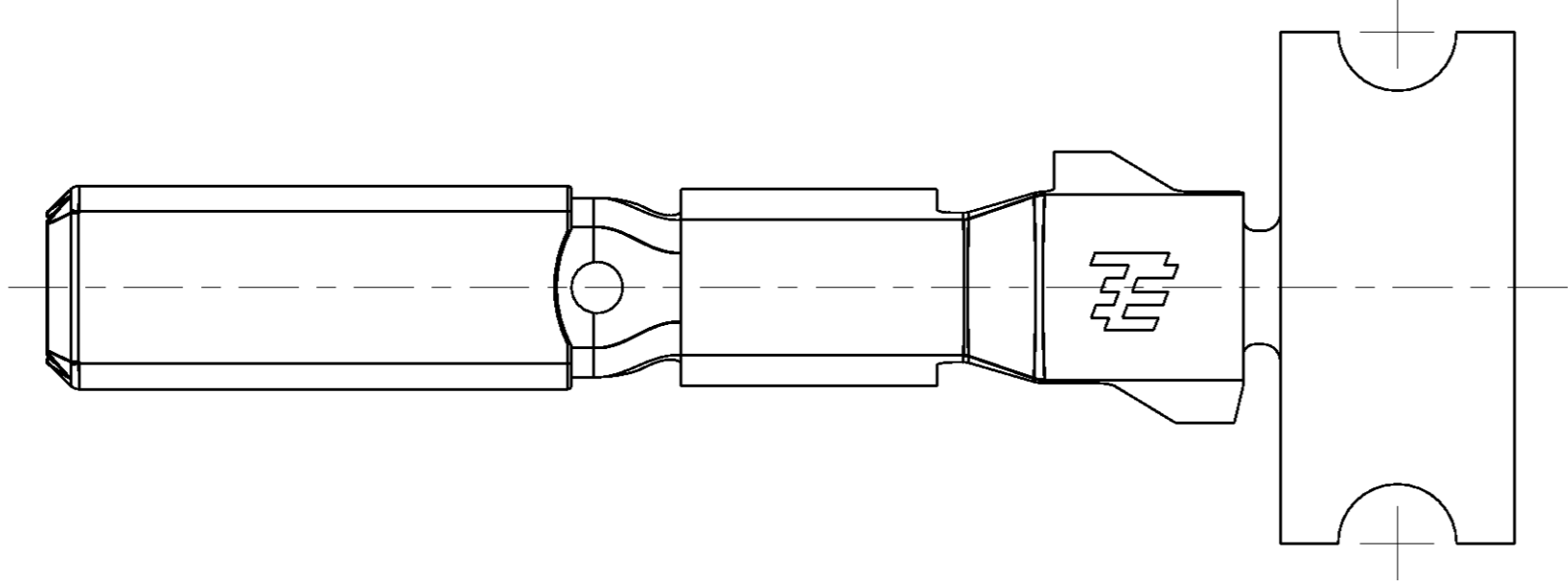


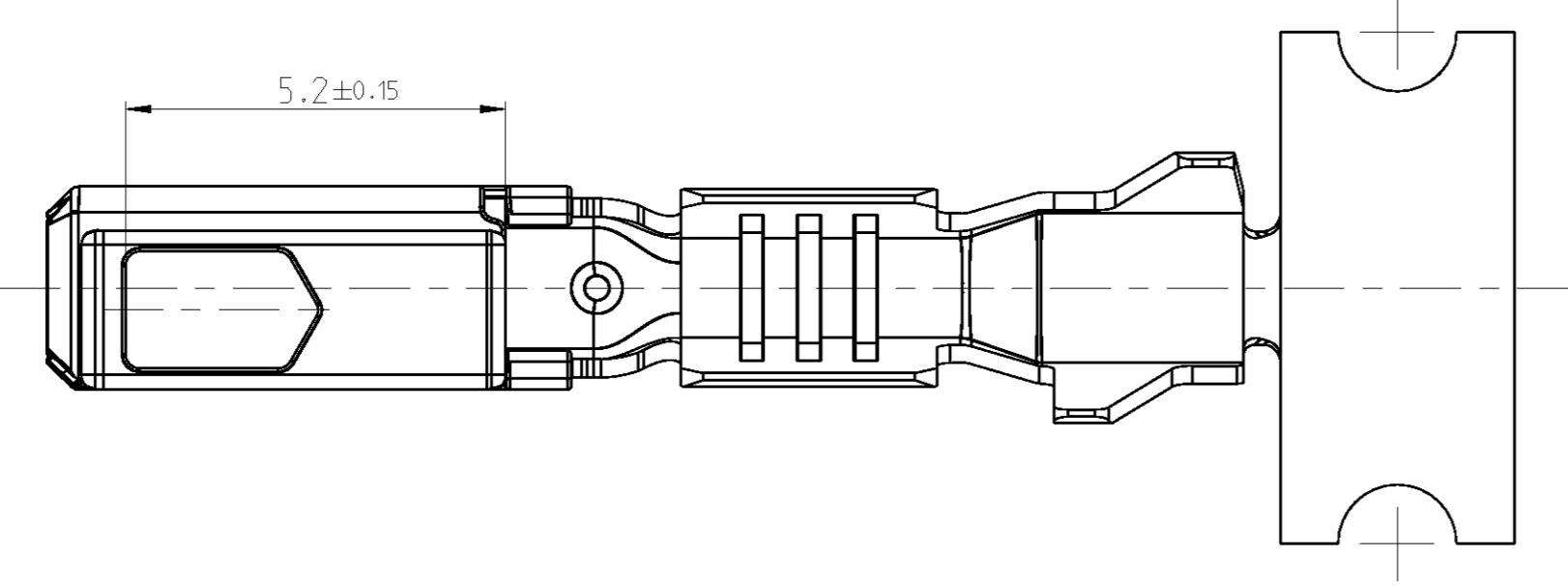
| LOC | DIST | REV | DATE | BY | APPV |
|-----|------|-----|-----------|------|------|
| A1 | - | C | 25NOV2003 | SG | RJ |
| | | C1 | 12AUG2009 | Sche | CB |
| | | C2 | 22OCT2010 | Abn | Brun |

VERSION/Ausführung 5-1241608-1



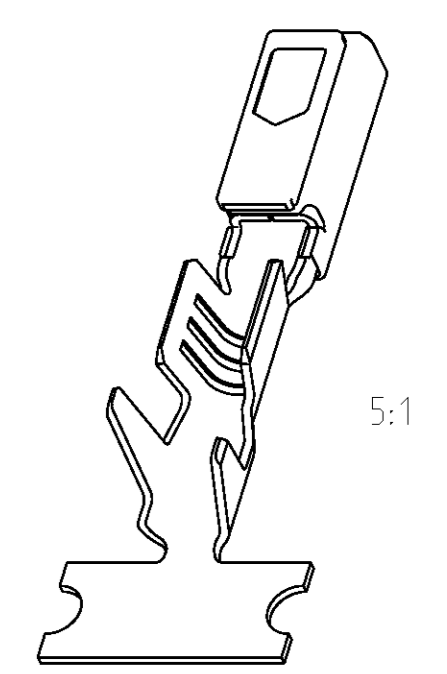
Ueberfeder/SPRING
 MATERIAL X10CrNi188
 Oberfläche blank
 SURFACE UNCOATED

Kontaktkoerper/BODY
 MATERIAL CuNiSi F57
 Oberfläche Zinn 0.8-2µm Sn
 Silber 1.6-4.6µm Ag ueber Ni im Kontaktbereich, Sn im Crimpbereich
 SURFACE TIN 0.8-2µm Sn
 SILVER 1.6-4.6µm Ag OVER Ni AT CONTACT AREA, Sn AT CRIMP AREA



Bemerkungen
 NOTES

- 1 Kontakt nur fuer Testzwecke (erhoehte Steckzyklenzahl), nicht fuer Serieneinsatz
 CONTACT ONLY FOR SPECIAL TEST-APPLICATIONS (HIGH MATING-CYCLES). NOT FOR SERIES-APPLICATION
- 2 Nur fuer FLR-Leitung nach DIN 72551, Teil 6
 FOR FLR-CONDUCTOR ACCORDING TO DIN 72551-6 ONLY
- 3 Einzelheiten der Ausfuehrung bleiben dem Hersteller ueberlassen
 DETAILS OF DESIGN ARE LEFT TO MANUFACTURER
- 4 Oberfläche: blank, Material CuNi12Zn24
 SURFACE: UNCOATED, MATERIAL CuNi12Zn24



| 5-1241608-1 | C | 5-1241609-1 | 0.75...1.5 | Sn | 0.2 | A = 3.5 B = 5.1 C = 7.7 L = 16.5 | E = 2.7 G = 2.9 D _{DR} = 1.4 | H = 3.7 K = 3.9 D _{ISO} = 2.1 |
|--------------------------------|------|--|---|------------------------|------------------------|---|---|--|
| 1241608-6 | C | 1241609-6 | | Ag | | | | |
| 1241608-3 | C | 1241609-3 | | △ | | | | |
| 1241608-2 | | 1241609-2 | | Au | | | | |
| 1241608-1 | C | 1241609-1 | | Sn | | | | |
| 1452158-2 | | 1452157-2 | 0.35...0.5 | Au | 0.2 | A = 2.5 B = 3.6 C = 5.6 L = 15.8 | E = 1.9 G = 1.9 D _{DR} = 0.8 | H = 2.7 K = 2.7 D _{ISO} = 1.4 |
| 1452158-1 | B | 1452157-1 | | Sn | | | | |
| TE BESTELL-NR. ORDER NO. | REV. | Einzelausfuehrung LOOSE PIECE TE-Bestell-Nr. TE-ORDER-NO. | DGB WIRE-SIZE-RANGE mm ² | Oberflaeche SURFACE | Gewicht WEIGHT g | Laenge LENGTH | Drahtcrimp WIRE CRIMP | Iso ^o crimp INSU. CRIMP |
| Abmessungen/DIMENSIONS mm | | | | | | | | |

| | | | | | |
|--|--|--|--|----------------------------|--|
| DIMENSIONS MASSENHEITEN mm | | TOLERANCES, UNLESS OTHERWISE SPECIFIED: ALLE DIMENSIONEN | | DWN S. Garcia 04FEB2000 | NAME MQS 1.5, CLEAN BODY |
| MATERIAL - | | FINISH/OBERFLAECHENFARBE - | | C. Boemmel 04FEB2000 | AMP Deutschland GmbH 64625 Bensheim (Germany) |
| PRODUCT SPEC 1 PLC ± DIN 2 PLC ± 108-18030 3 PLC ± 6930- m 4 PLC ± | | APPLICATION SPEC VERARBEITUNGSBEZ. 114-10286 | | Tyco Electronics | |
| WEIGHT GEWICHT - | | CUSTOMER DRAWING | | A1 00779 ©=1241608-1 | |

NOT THE LATEST REVISION