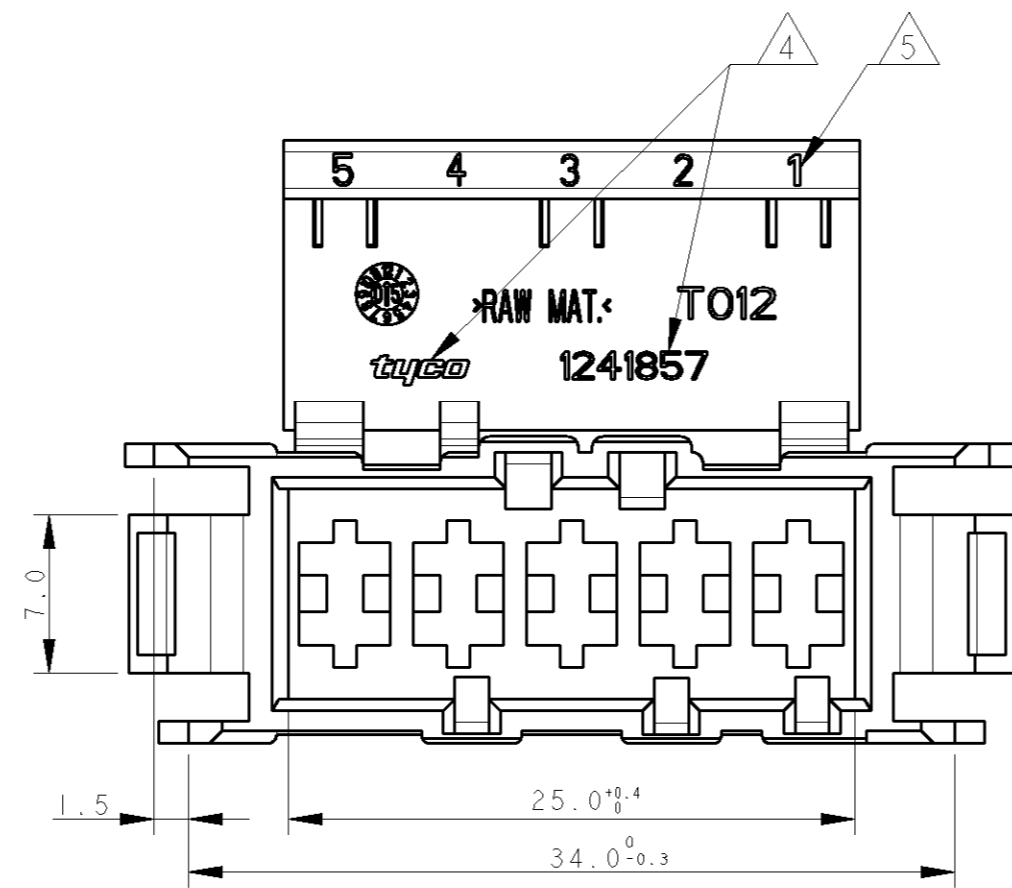
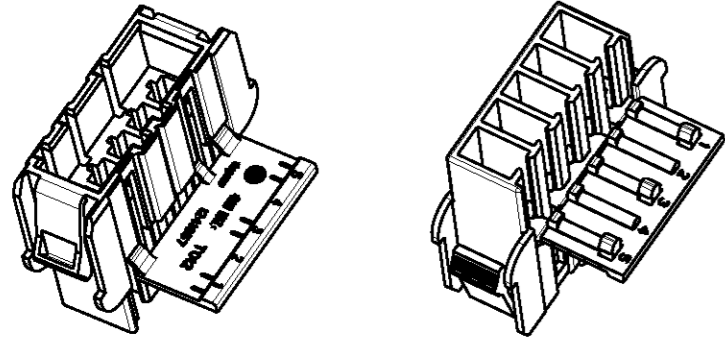
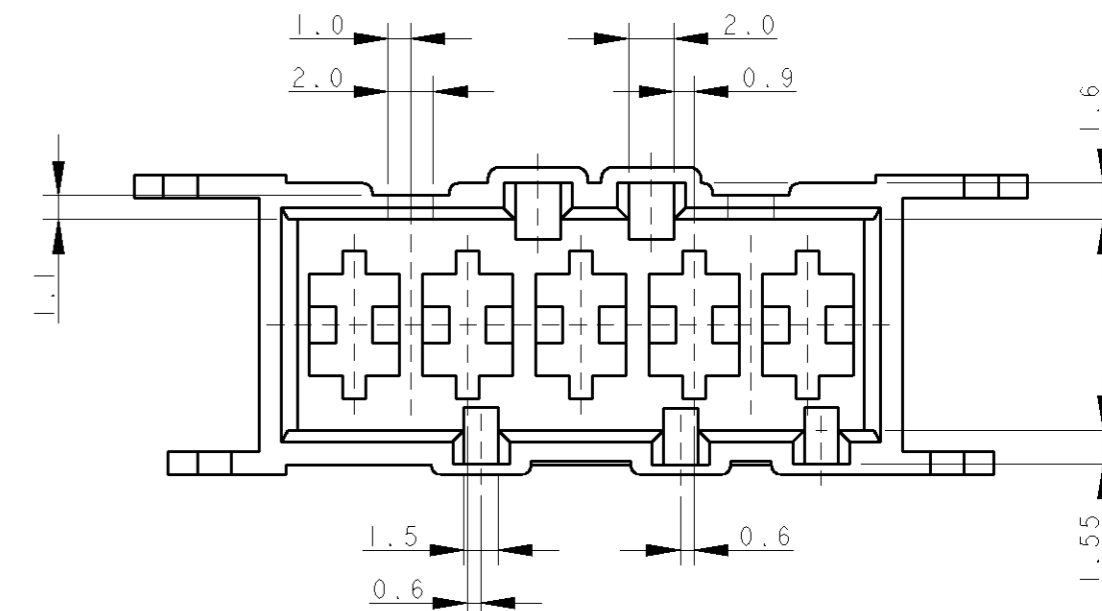


LOC		DIST		REVISIONS			
P	LTR	DESCRIPTION	DATE	DWN	APVD		
	A4	REDRAWN AND ADDED NEW PART	06JUN2005	HY	GT		

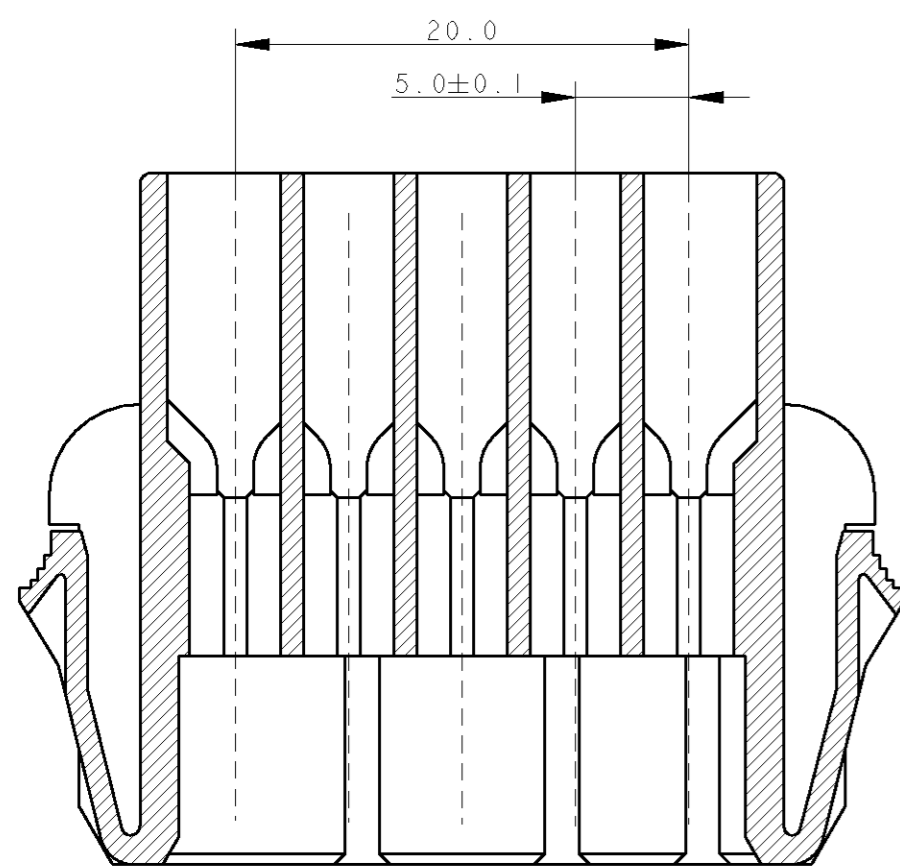
PERSPECTIVE VIEW
FOR REF. ONLY
SCALE 1:1



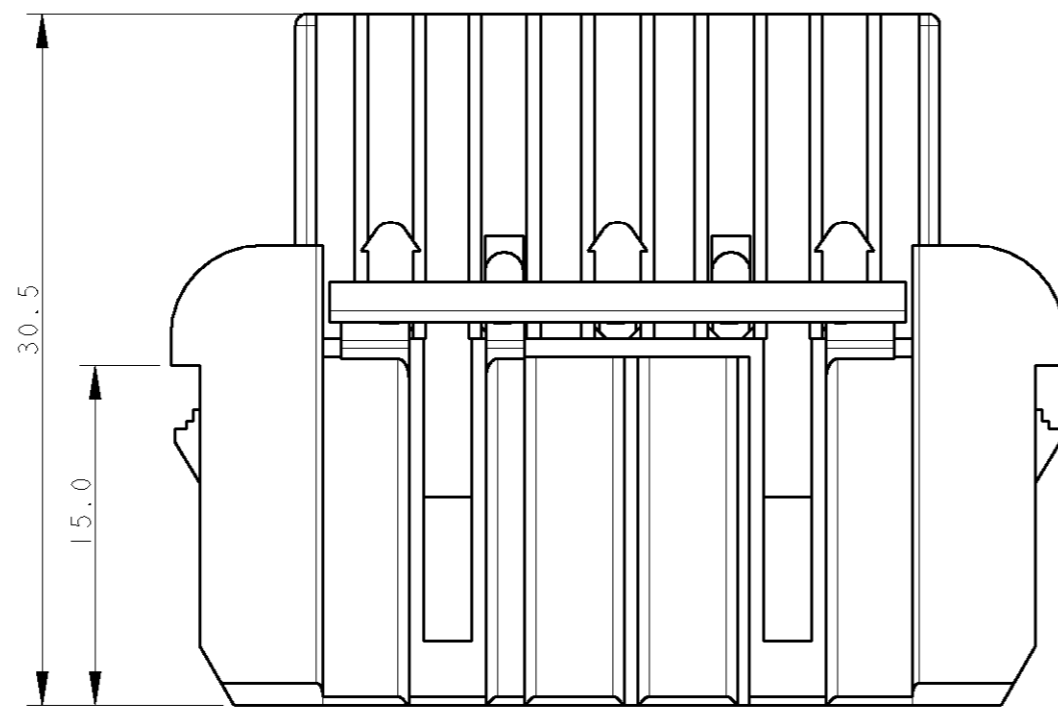
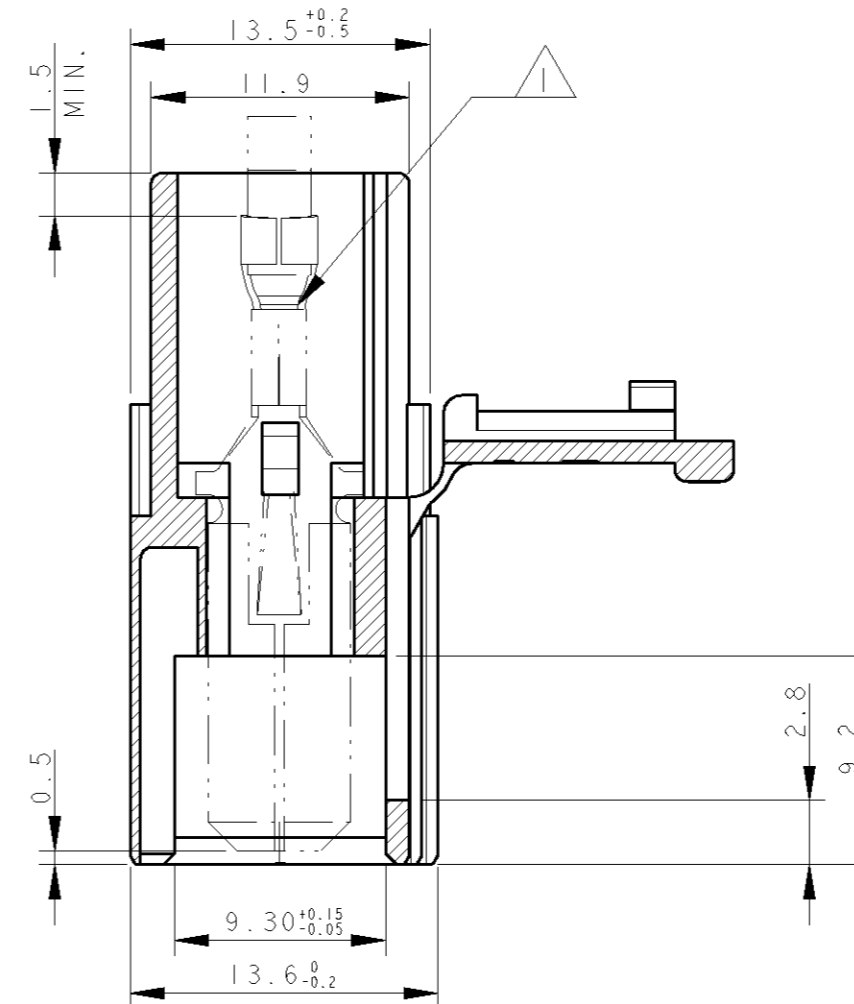
POLARIZATION KEYS SCHEME



SECTION D-D

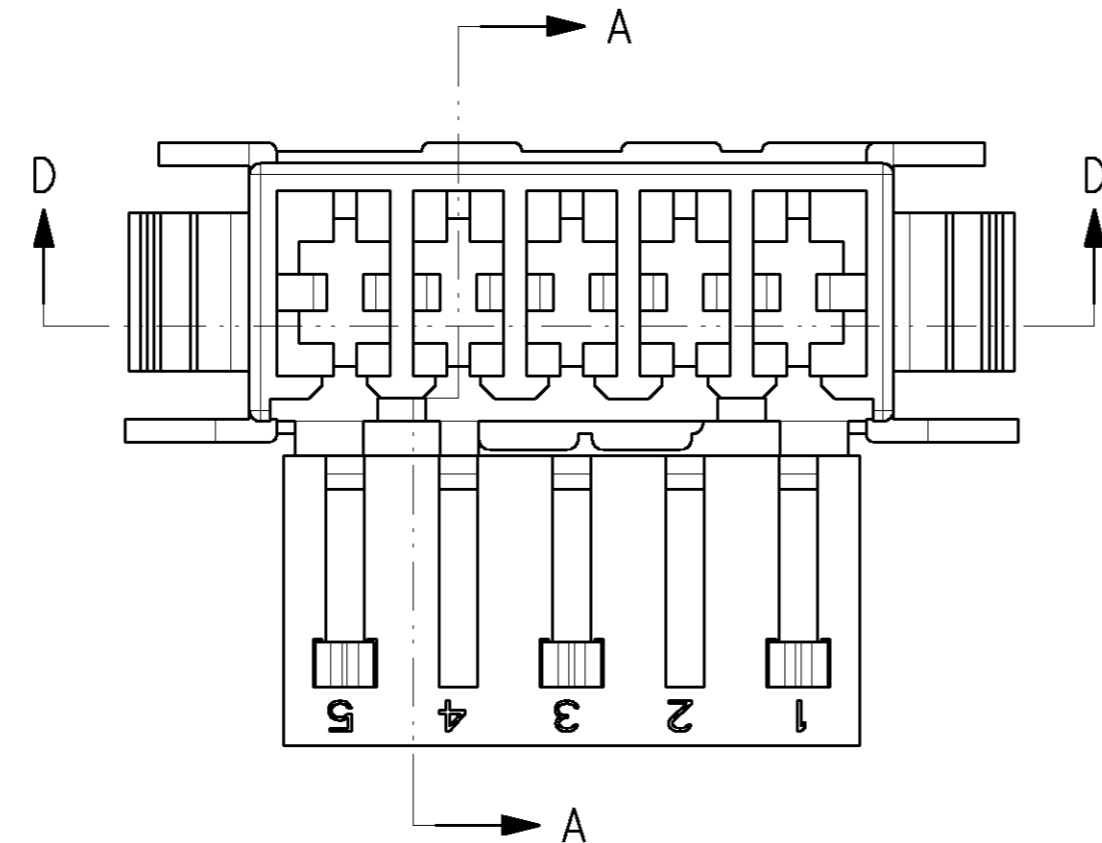
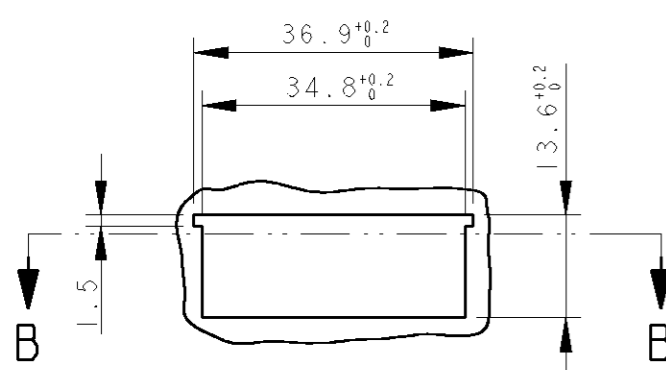


SECTION A-A

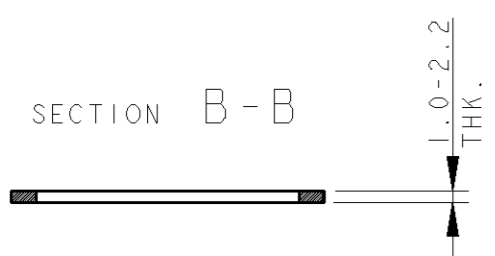


- 1 TYPICAL CAVITY SUITABLE FOR:
FASTIN-FASTON TAB CONTACTS 6.3 mm SRS:
P/N: 293041, 0.3-1.0 mm² WIRE RANGE
60294, 0.3-0.8 mm² WIRE RANGE
160691, 0.3-0.8 mm² WIRE RANGE
AMPLIVAR CONTACTS:
P/N: 141051, 0.1-0.5 mm² WIRE RANGE
142411, 0.3-1.6 mm² WIRE RANGE
MAX. INSULATION DIA. 2.8 mm,
MAX. INSULATION CRIMP WIDTH 3.3 mm.
- 2 PA UNFILLED, UL 94-V2, NATURE COLOUR
ACCORDING TO IEC 60335-1 NORM.
- 3 PA66 UNFILLED, UL 94-V2, NATURE COLOUR
- 4 TYCO TRADEMARK "LOGO" AND
TYCO ELECTRONICS "PART NUMBER"
OPTIONAL POSITION.
- 5 CIRCUIT IDENTIFICATION NUMBERS, 1 TO 5.
- 6 POLARIZATION KEYS DIMENSIONS AND POSITIONS
ARE ACCORDING TO "RAST 5" NORM
RAST CODE 05-B, 05-D.
- 7 NOT YET RELEASED FOR PRODUCTION.

PANEL CUT OFF DIMENSIONS
SCALE 1:1



SECTION B-B



NOTE	COLOUR	MATERIAL	TYCO P/N	REV
7	NATURAL	SEE NOTE 2	9-1241857-5	A
	NATURAL	SEE NOTE 3	0-1241857-5	A

THIS DRAWING IS A CONTROLLED DOCUMENT FOR TYCO ELECTRONICS CORPORATION IT IS SUBJECT TO CHANGE AND THE CONTROLLING ENGINEERING ORGANIZATION SHOULD BE CONTACTED FOR THE LATEST REVISION.		DWN H. YAALI	06JUN2005	tyco Electronics		tyco Electronics AMP Italia S.p.A. C.so F.lli Cervi, 15 COLLEGGNO (TO)	
DIMENSIONS: mm		CHK G. TURCO	APVD -	NAME 5POS. FASTIN-FASTON* TAB HOUSING RAST 5, PANEL MOUNT VERSION.			
TOLERANCES UNLESS OTHERWISE SPECIFIED:		PRODUCT SPEC -		SIZE A2			
0 PLC ± 1 PLC ±0.3 2 PLC ± 3 PLC ± 4 PLC ± ANGLES ±° FINISH		APPLICATION SPEC -		CAGE CODE 00779		DRAWING NO 1241857	
MATERIAL SEE TABLE		WEIGHT -		RESTRICTED TO -		SCALE 3:1	
CUSTOMER DRAWING				SHEET 1 OF 1		REV A4	