



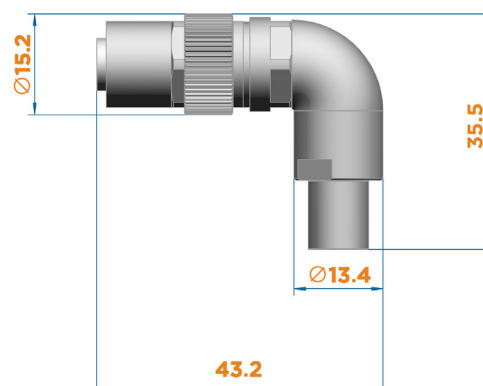
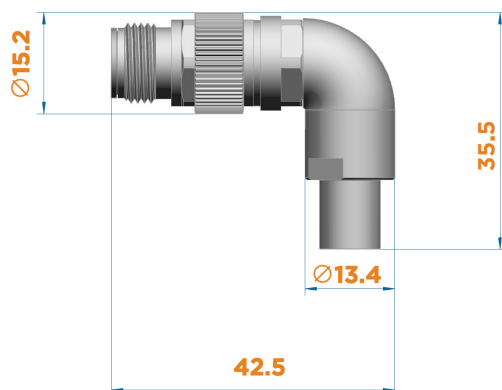
# M12 RAIL 90°

## FIELD INSTALLABLE CONNECTORS

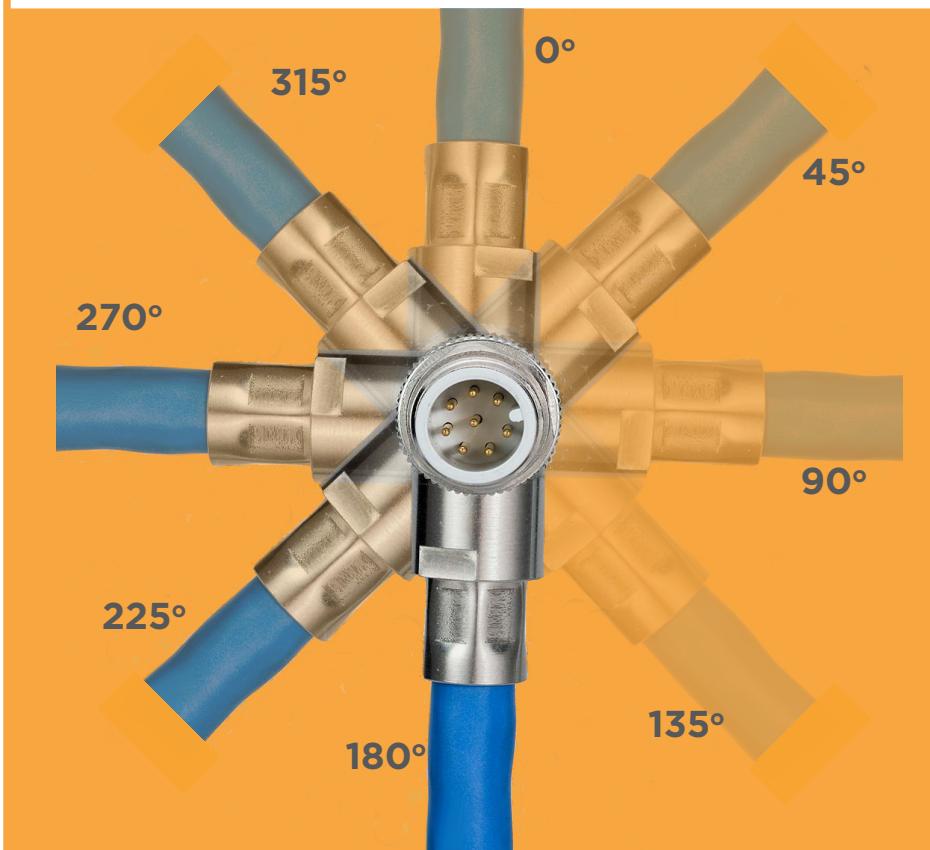
The angled M12 Rail 90° cable connector is field installable and developed for the fault-free data transfer in harsh environments and for difficult installation conditions. The connector is specifically suited for harsh conditions due to the crimp termination for the signal contact and for the cable shield. The special design provides the flexibility for the angled cable exit to solve tight installation condition.

### Technical Features

- Flexible cable exit 90°
- Field installable.
- 8 cable exit options (8 x 45 °) for any installment condition
- Simple selection of the position and lock against rotation of the cable outlet
- Male and female versions
- Coding: A-coding 5 poles and A-Coding 8 poles plus D-Coding 4 poles
- Effective 360° EMI/RFI shielding due to special fully housing and crimp flange/crimp sleeve system
- Torsion - and vibration-proof strain relief
- Easy assembly due to only a few single parts
- Compact dimensions with small diameter
- M12 Locking nut with combined knurled and hexagon combination shape for tightening with defined torque



**Rotatable in  
8 steps (45°)**



**Temperature Range**

-40°C to 70°C

**Current rating:**

D-4: 4A / A-8: 2 A

**Operational Voltage:**

A-5 / D-4: 50 V DC / A-8: 30 V DC

**Contact Resistance:**

≤ 5 mΩ

**Insulation resistance:**

≥ 100 mΩ

**Data transmission characteristics:**

Class D according to IEC 11801:2002

**Data transmission rate:**

10/100 Mbit/s

**IP rating:**

IP67

**Mating Cycles:**

≥ 100 mating cycles

**Standards:**

EN 61373 Class 1  
Fire Performance EN 45545  
NFF 16101, 16102

**Selection Guide**

Code	Part Number	Cable	Description	No. Positions	Male	Female
D-Code	1-2823588-1	CAT 5 RADOX 7.3mm H&S	M12 D-Code Male front panel mount	4	x	
D-Code	1-2823588-2	CAT 5 RADOX 7.3mm H&S	M12 D-Code Female front panel mount	4		x
D-Code	1-2823588-3	TE CAT 5	M12 D-Code Male rear panel mount	4	x	
D-Code	1-2823588-4	TE CAT 5	M12 D-Code Female rear panel mount	4		x
A-Code	1-2823587-2	TE CAT 5	M12 A-Code Male front panel mount	5	x	
A-Code	1-2823587-3	TE CAT 7	M12 A-Code Female front panel mount	8		x
A-Code	1-2823587-4	TE CAT 7	M12 A-Code Male rear panel mount	8	x	

\*We have solutions for many Cat 5 - 7 cables from other manufacturers. Contact a TE representative for more information