

MODULAR RELEASABLE POKE-IN CONNECTOR

TE Connectivity (TE) introduces the Modular Releasable Poke-in Connector, a 4.0mm pitch modular connector for wire to board connectivity. The Poke-in feature allows for easy and fast installation and its modular design enables a flexible solution. The low profile, high density and compact design enables broad usage in, for instance, telecommunication systems, lighting systems, security and wire arrangement of architectures.



Applications

- LED Lighting
- Telecommunication
- Security
- Other wire-to-board applications

Electrical

- **Current rating:** 6A with 18 AWG / 5A with 20 AWG & 22 AWG
- **Voltage rating:** 400 VAC Max
- **Dielectric strength:** 1800 VAC

Mechanical

- **Operating Temperature:** -40°C- + 105°

Product Specifications

- **Application Specification:** 114-137055
- **Product Specification:** 108-137055
- **UL Approval:** UL1977
- IEC60838 comply with clause 15 of IEC 60598-1

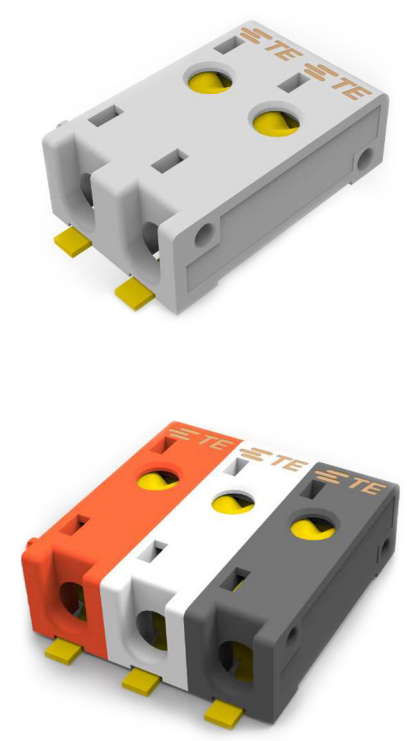
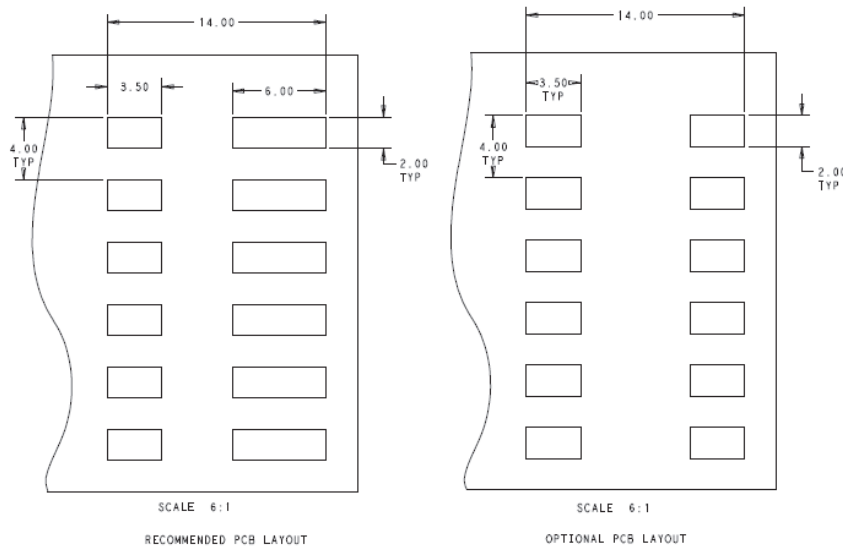
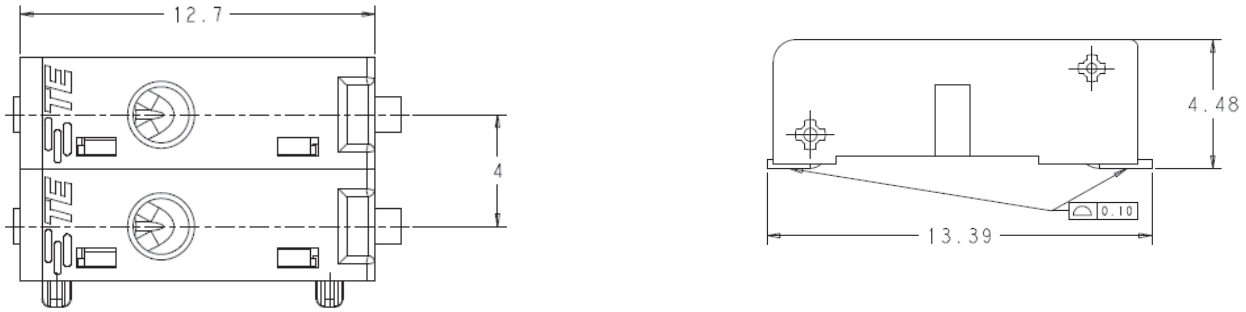
Materials

- **Contact:** Copper Alloy with Tin plating

Key Benefits

- Modular Technology enables flexibility in design
- Easy and fast installation with Poke-in feature
- 4.0mm pitch, modular position type.
- Compact size design for space saving
- Compliance with UL1977 / File: E28476
- Compliance with IEC 60598-1:2014 & IEC 60998-1:2002

Dimensions



Product Selection Information

Part Number	Description
2834006-1	Terminal Blocks / Poke-In Connectors
2834006-2	Terminal Blocks / Poke-In Connectors
2834006-3	Terminal Blocks / Poke-In Connectors
1-2834006-2	Terminal Blocks / Poke-In Connectors

te.com

© 2016 TE Connectivity Ltd. Family of Companies. All Rights Reserved. TE, TE Connectivity, and the TE connectivity (logo) are trademarks of the TE Connectivity Ltd. family of companies. Other logos, product and company names mentioned herein may be trademarks of their respective owners.
1-1773872-8 JN 1/16

USA: +1 (800) 522-6752
Canada: +1 (905) 475-6222
Mexico: +52 (0) 55-1106-0800
Latin/S. America: +54 (0) 11-4733-2200
Germany: +49 (0) 6251-133-1999

UK: +44 (0) 800-267666
France: +33 (0) 1-3420-8686
The Netherlands: +31 (0) 73-6246-999
China: +86 (0) 400-820-6015

