

4

3

2

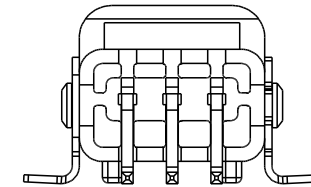
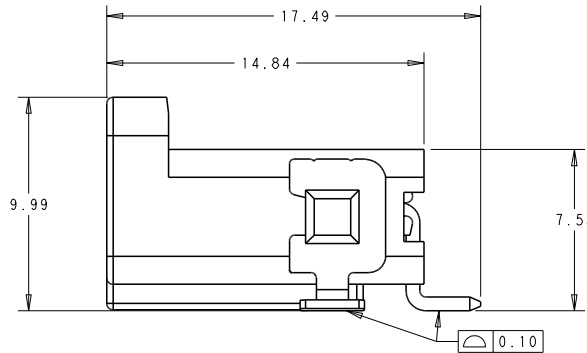
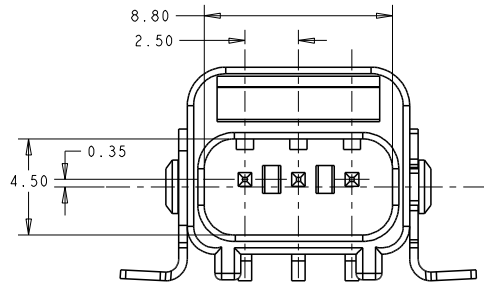
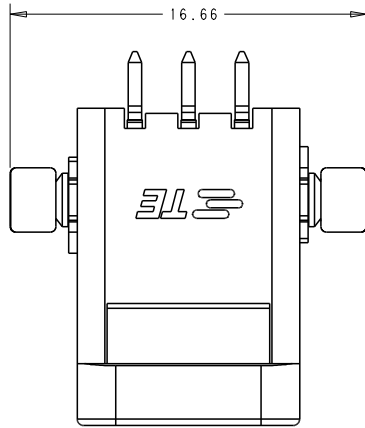
1

THIS DRAWING IS UNPUBLISHED. RELEASED FOR PUBLICATION 20
© COPYRIGHT 20 BY - ALL RIGHTS RESERVED.

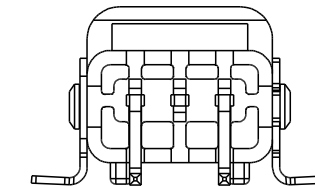
REVISIONS				
P	LYR	DESCRIPTION	DATE	DWN APVD
A		FIRST VERSION	14MAR2017	G.F S.M
A1		UPDATE THE PAD WIDTH	26MAY2017	G.F S.M
A2		ECR-17-015236:UPDATE THE P/N	16OCT2017	G.F S.M

NOTES :

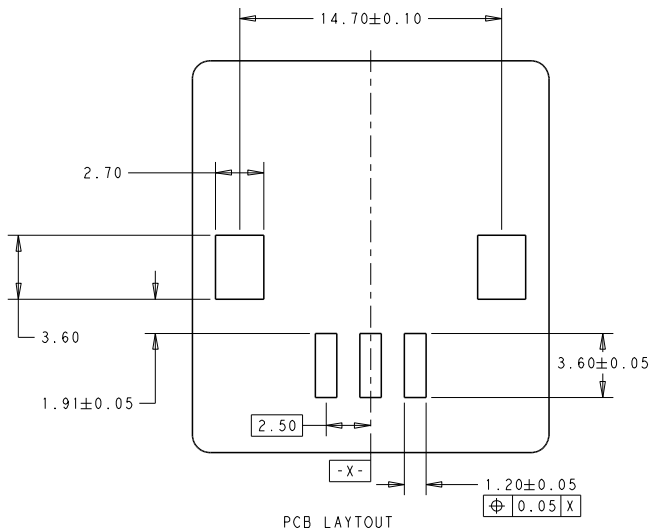
- MATERIALS AND FINISH:
- HOUSING: LCP, COLOR:NATURAL
- CONTACTS: COPPER ALLOY, FINISH: TIN OVER NICKEL UNDERPLATE
- MUST COMPLY WITH DIRECTIVE 2002/95/EC (ROHS)
- THIS PRODUCT HAS NOT COMPLETED VALIDATION TESTING
- PACKAGED IN TAPE AND REEL



3P:1-2834236-1



2P:1-2834236-2



PCB LAYOUT

THIS DRAWING IS A CONTROLLED DOCUMENT.		DWN: GEORGE FU 16OCT2017	TE Connectivity	
		CHK: GEORGE FU 16OCT2017		
DIMENSIONS: (mm)		APVD: SHEI MING 16OCT2017	NAME: 2.5MM R/A SMT TYPE	
TOLERANCES UNLESS OTHERWISE SPECIFIED:		PRODUCT SPEC: 108-137266	WTB CONNECTOR	
0 PLC ±		APPLICATION SPEC: 114-137266	SIZE: A2	
1 PLC ±0.2		WEIGHT: -	CAGE CODE: -	DRAWING NO: C=2834236
2 PLC ±0.15		CUSTOMER DRAWING	SCALE: 3:1	SHEET 1 OF 1
3 PLC ±				REV: A2
4 PLC ±				
ANGLES *				
FINISH				