

4

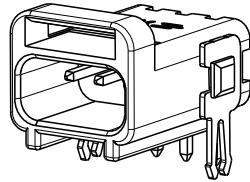
3

2

1

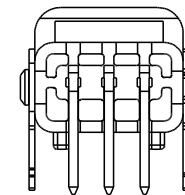
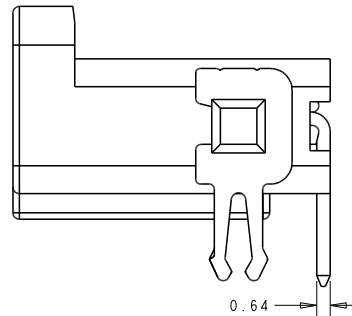
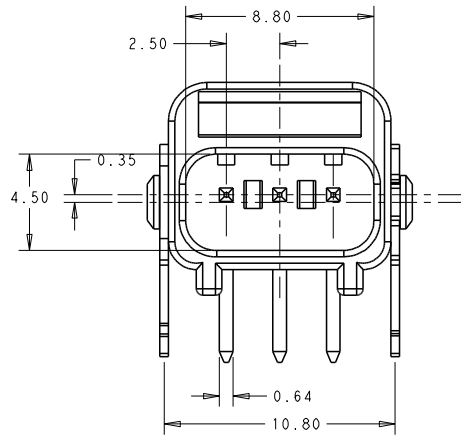
THIS DRAWING IS UNPUBLISHED. RELEASED FOR PUBLICATION
COPYRIGHT copyright_d8te ALL RIGHTS RESERVED.

REVISIONS					
P	LYR	DESCRIPTION	DATE	DWN	APVD
A		FIRST VERSION	25APR2017	G.F	S.M
A1		ECR-17-015236: ADD COLOR P/N	16OCT2017	G.F	S.M

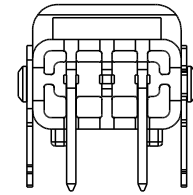


NOTES :

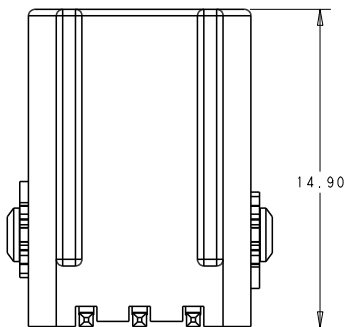
- MATERIALS AND FINISH:
 - HOUSING: LCP, COLOR:NATURAL
 - CONTACTS: COPPER ALLOY, FINISH: TIN OVER NICKEL UNDERPLATE
- MUST COMPLY WITH DIRECTIVE 2002/95/EC (ROHS)
- THIS PRODUCT HAS NOT COMPLETED VALIDATION TESTING
- PACKAGED IN TRAY



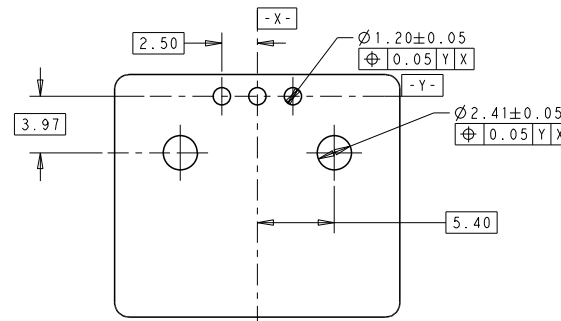
3P: *-2834238-1



2P: *-2834238-2



SCALE 6:1



PCB LAYOUT
SCALE 4:1

WHITE	5-2834238-2	2P
GRAY	4-2834238-2	
RED	3-2834238-2	
BLACK	2-2834238-2	
NATURAL	1-2834238-2	
WHITE	5-2834238-1	3P
GRAY	4-2834238-1	
RED	3-2834238-1	
BLACK	2-2834238-1	
NATURAL	1-2834238-1	
COLOR	PART NO	POSITION

THIS DRAWING IS A CONTROLLED DOCUMENT.		DWN: GEORGE FU 16OCT2017	TE Connectivity	
		CHK: GEORGE FU 16OCT2017		
		APVD: SHEI MING 16OCT2017	NAME: 2.5mm PITCH RA TH	
DIMENSIONS: (mm)		PRODUCT SPEC: 108-137266	Wt0B CONN.	
TOLERANCES UNLESS OTHERWISE SPECIFIED:		APPLICATION SPEC: 114-137266		
0 PLC ± 1 PLC ±0.20 2 PLC ±0.15 3 PLC ± 4 PLC ± ANGLES ± FINISH *		WEIGHT: -	SIZE: A2	CAGE CODE: -
MATERIAL: NOTE 1		CUSTOMER DRAWING	DRAWING NO: C=2834238	RESTRICTED TO: -
		SCALE: 4:1	SHEET: 1 OF 1	REV: A1