

Distributed by:

JAMECO[®]
ELECTRONICS

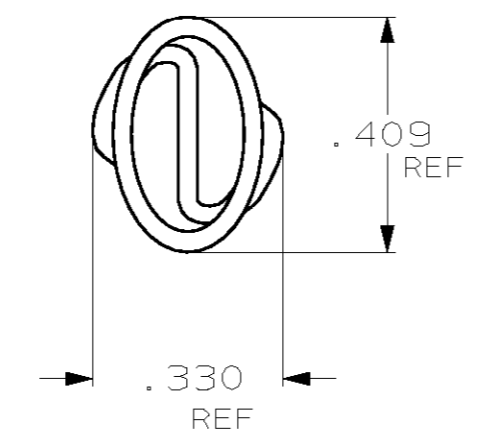
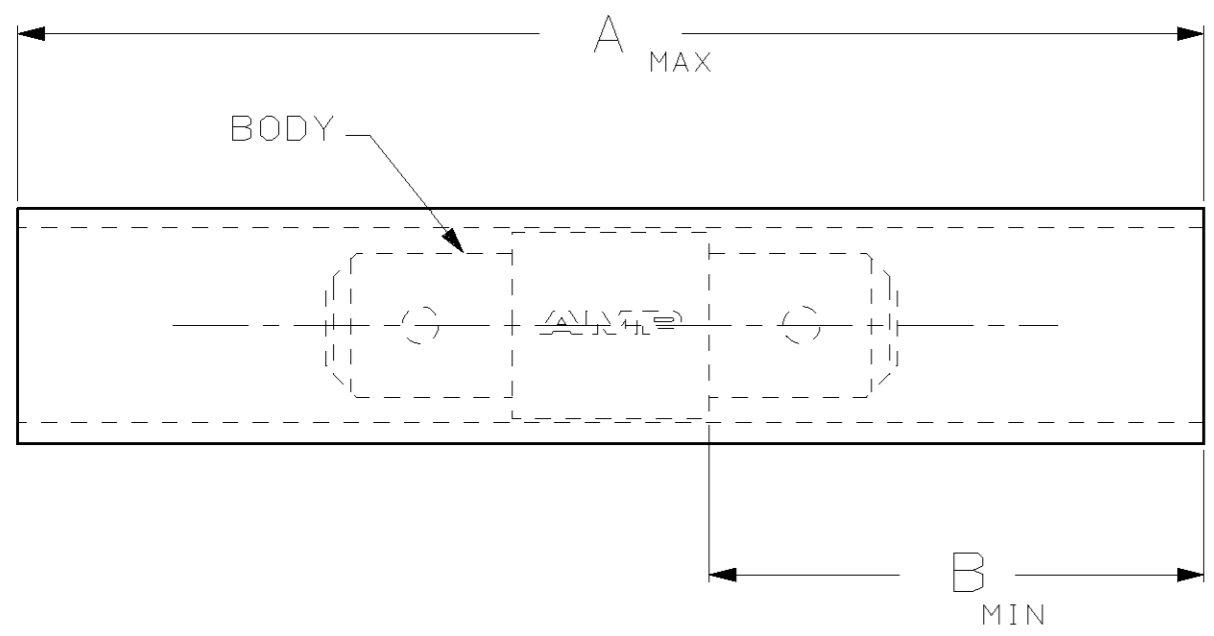
www.Jameco.com ♦ 1-800-831-4242

The content and copyrights of the attached
material are the property of its owner.

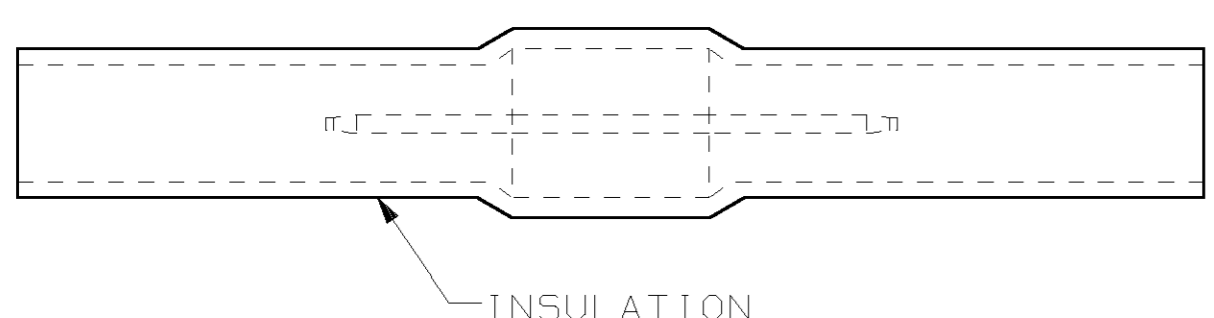
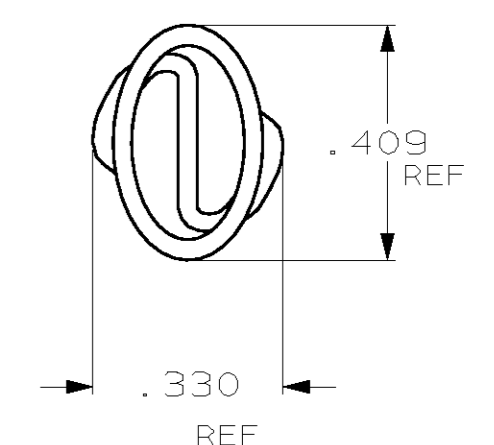
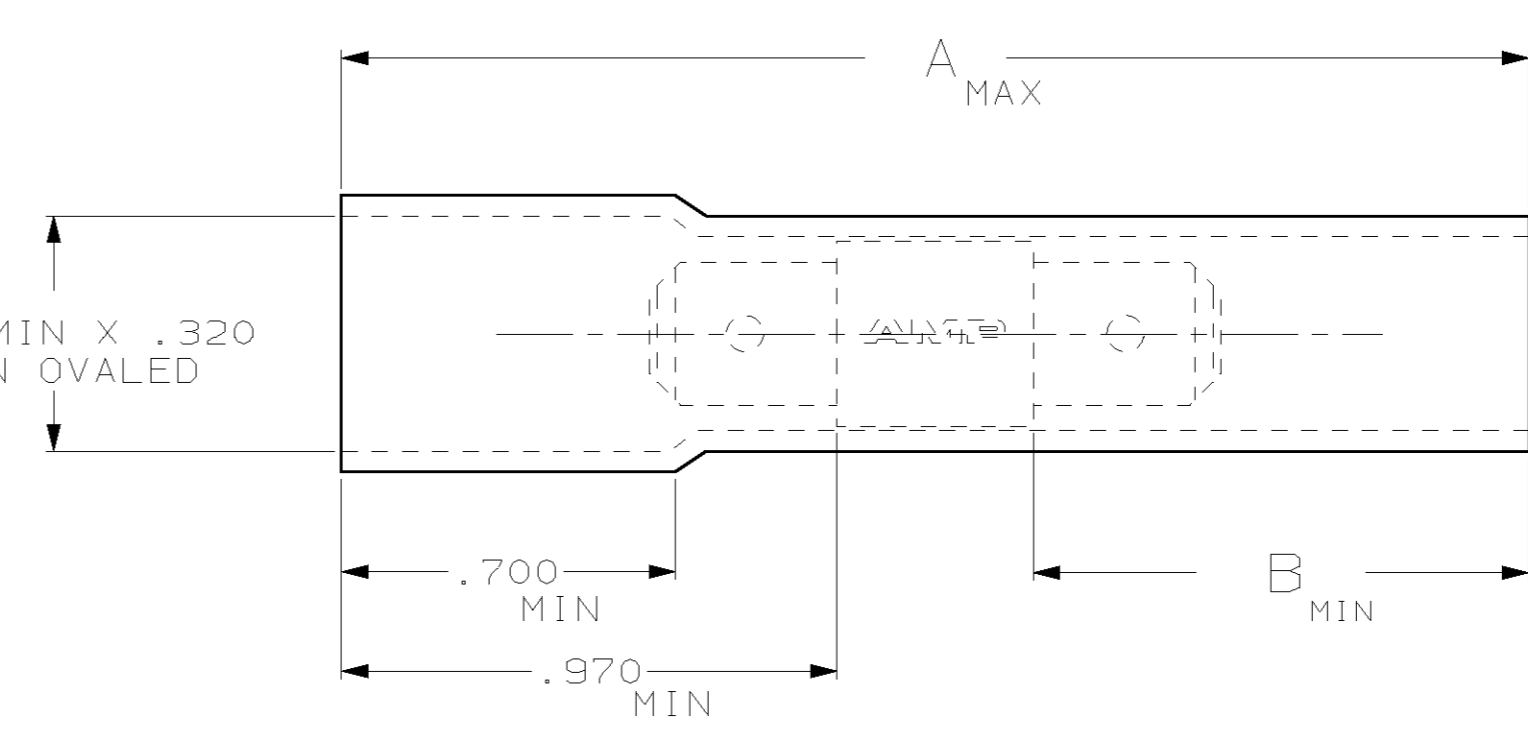
Jameco Part Number 888871

THIS DRAWING IS UNPUBLISHED. RELEASED FOR PUBLICATION .19
 © COPYRIGHT 19 BY AMP INCORPORATED. ALL RIGHTS RESERVED.

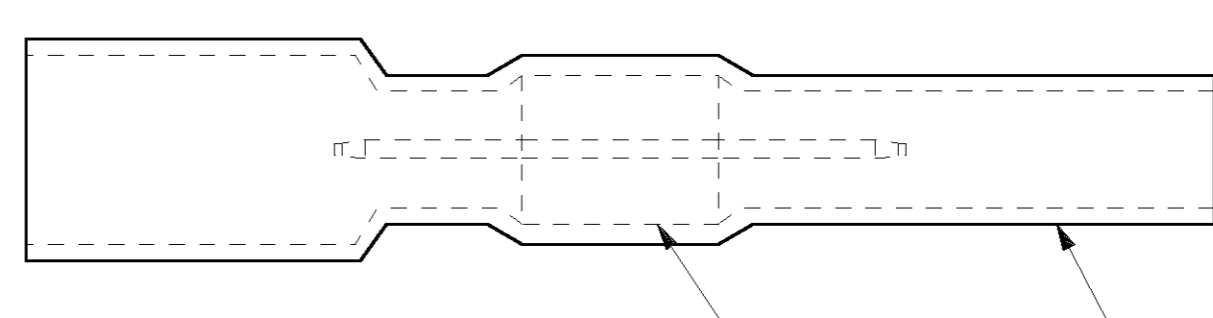
LOC		DIST		REVISIONS			
P	LTR	DESCRIPTION	DATE	DWN	APVD		
G	14	U	REV PER 0G3A-0653-00	060CT00	JR	TM	



.380 MIN X .320 MIN OVALED



INSULATION
STYLE I



BODY INSULATION
STYLE II

8-321235-5	2.625	.860	NATURAL	CLEANED	I	LOOSE PC, BOX SPL	100
8-321235-1	2.625	.860	NATURAL	CLEANED		LOOSE PC, BOX	100
8-321235-0	2.625	.860	NATURAL	CLEANED		LOOSE PC	BULK
3-321235-0 ²	2.625	1.151	BLACK	¹	I	LOOSE PC	1000
1-321235-3	2.451	-	NATURAL	CLEANED	II	LOOSE PC	1000
1-321235-1	2.625	1.151	NATURAL	¹	I	LOOSE PC	1000
1-321235-0	2.625	1.151	NATURAL	CLEANED		LOOSE PC	1000
321235	2.093	.860	NATURAL	CLEANED		LOOSE PC	1000
PART NO.	DIM 'A'	DIM 'B'	COLOR	FINISH	STYLE	PACKAGE TYPE	QTY

¹ TIN PLATE PER ASTM B545
² PRELIMINARY - NOT FOR PRODUCTION

QTY	DESCRIPTION	PART NO.	MATERIAL & FINISH
1	WIRE SPLICE	SEE TABLE	INSULATION: PVC COLOR: SEE TABLE BODY: BRASS (ASTM B-19) .032 THK FINISH: SEE TABLE
THIS DRAWING IS A CONTROLLED DOCUMENT.		DWN JR RUTH 060CT00	AMP Incorporated Harrisburg, PA 17105-3608 SPLICE, RECEPTACLE, FASTON, .250 SERIES WIRE SIZE: 22-10
DIMENSIONS: INCHES		CHK T MICHELUTTI 060CT00	
TOLERANCES UNLESS OTHERWISE SPECIFIED:		APVD T MICHELUTTI 060CT00	
0 PLC ±- 1 PLC ±- 2 PLC ±- 3 PLC ±.008 4 PLC ±- ANGLES ±-		NAME PRODUCT SPEC APPLICATION SPEC	
MATERIAL SEE TABLE	FINISH SEE TABLE	WEIGHT -	SIZE A2 CAGE CODE 00779 DRAWING NO. 321235 RESTRICTED TO -
CUSTOMER DRAWING			SCALE NTS SHEET 1 OF 1 REV U

321235