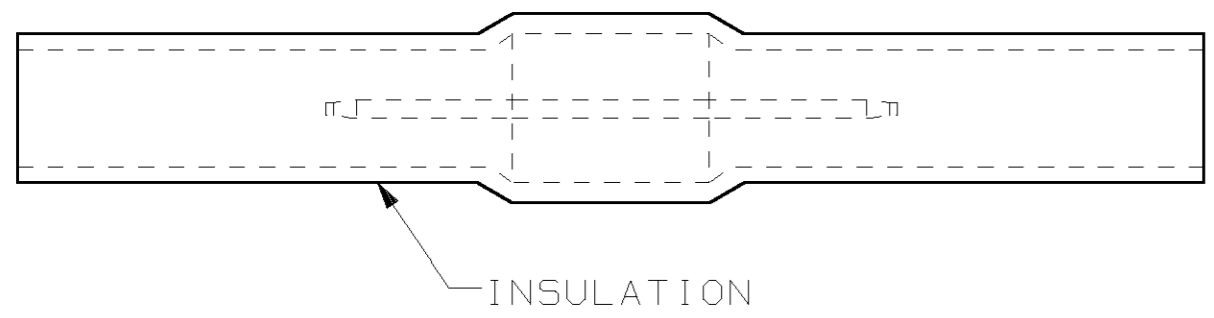
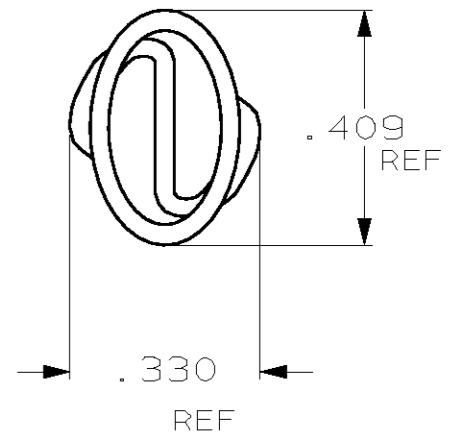
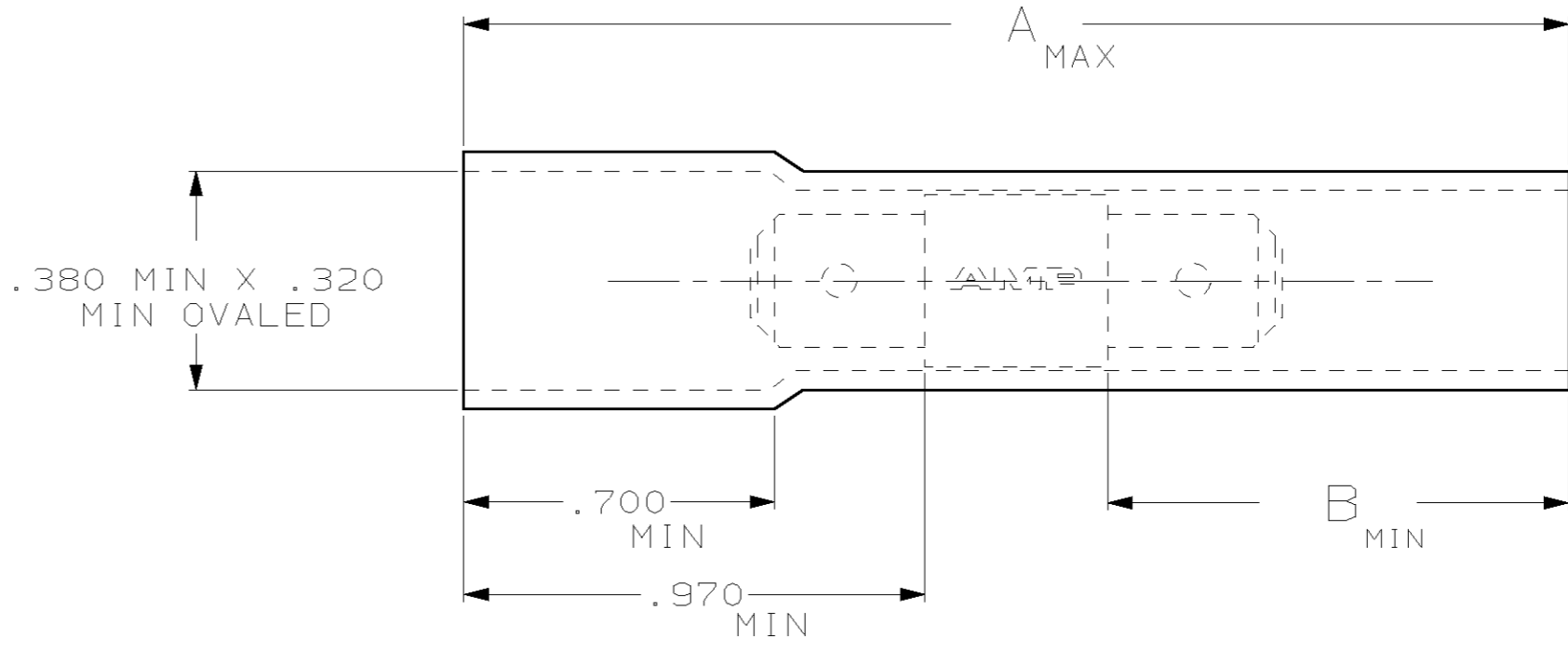
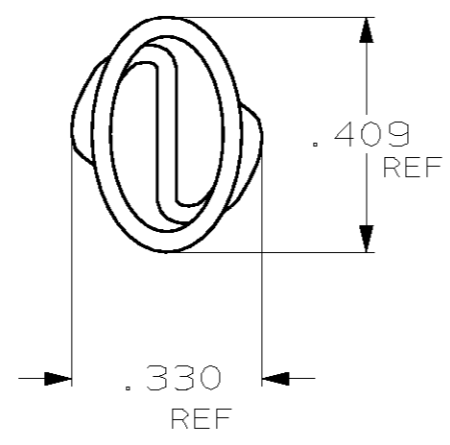
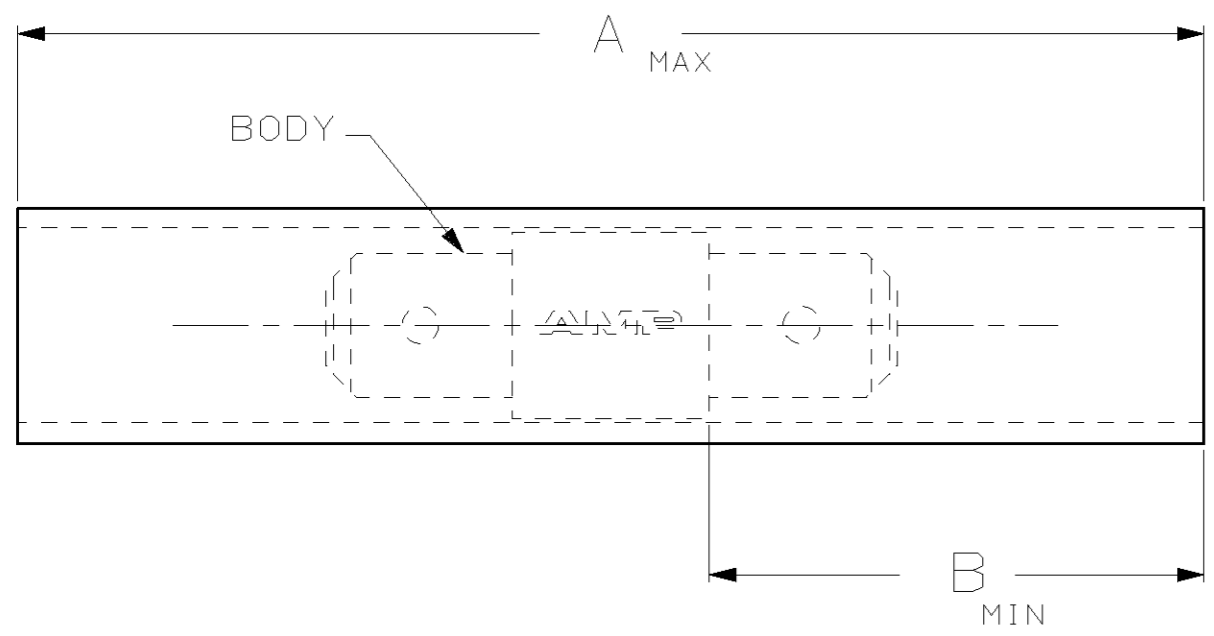
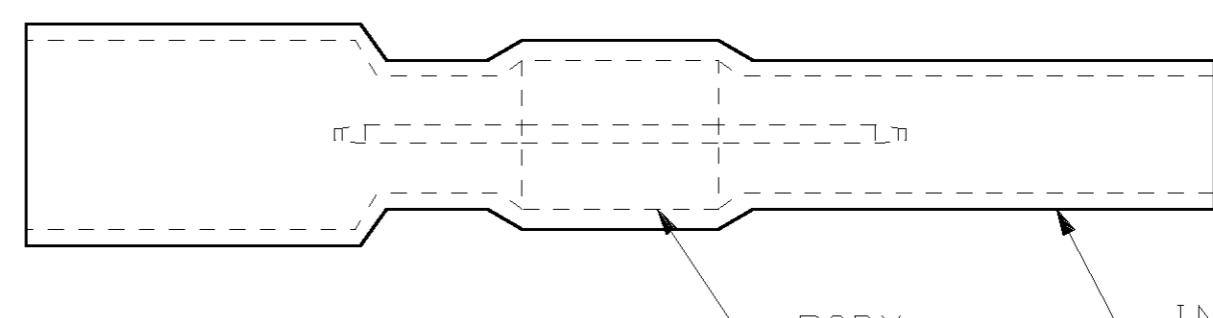


THIS DRAWING IS UNPUBLISHED. RELEASED FOR PUBLICATION .19
 © COPYRIGHT 19 BY AMP INCORPORATED. ALL RIGHTS RESERVED.

LOC		DIST		REVISIONS			
P	LTR	DESCRIPTION	DATE	DWN	APVD		
G	14	U	REV PER 0G3A-0653-00	060CT00	JR	TM	



STYLE I



STYLE II

8-321235-5	2.625	.860	NATURAL	CLEANED	I	LOOSE PC, BOX SPL	100
8-321235-1	2.625	.860	NATURAL	CLEANED		LOOSE PC, BOX	100
8-321235-0	2.625	.860	NATURAL	CLEANED		LOOSE PC	BULK
3-321235-0 ²	2.625	1.151	BLACK	¹	I	LOOSE PC	1000
1-321235-3	2.451	-	NATURAL	CLEANED	II	LOOSE PC	1000
1-321235-1	2.625	1.151	NATURAL	¹	I	LOOSE PC	1000
1-321235-0	2.625	1.151	NATURAL	CLEANED		LOOSE PC	1000
321235	2.093	.860	NATURAL	CLEANED		LOOSE PC	1000
PART NO.	DIM 'A'	DIM 'B'	COLOR	FINISH	STYLE	PACKAGE TYPE	QTY

- ¹ TIN PLATE PER ASTM B545
- ² PRELIMINARY - NOT FOR PRODUCTION

QTY	DESCRIPTION	PART NO.	MATERIAL & FINISH
1	WIRE SPLICE	SEE TABLE	INSULATION: PVC COLOR: SEE TABLE BODY: BRASS (ASTM B-19) .032 THK FINISH: SEE TABLE
THIS DRAWING IS A CONTROLLED DOCUMENT.			
DIMENSIONS: INCHES		TOLERANCES UNLESS OTHERWISE SPECIFIED:	
		0 PLC ±- 1 PLC ±- 2 PLC ±- 3 PLC ±.008 4 PLC ±- ANGLES ±-	
MATERIAL SEE TABLE		FINISH SEE TABLE	
DWN JR RUTH 060CT00		CHK T MICHELUTTI 060CT00	
APVD T MICHELUTTI 060CT00		NAME T MICHELUTTI	
PRODUCT SPEC		APPLICATION SPEC	
WEIGHT -		SIZE A2 00779	
CUSTOMER DRAWING		CAGE CODE 321235	
SCALE NTS		SHEET 1 OF 1	
		REV U	

321235