

Distributed by:

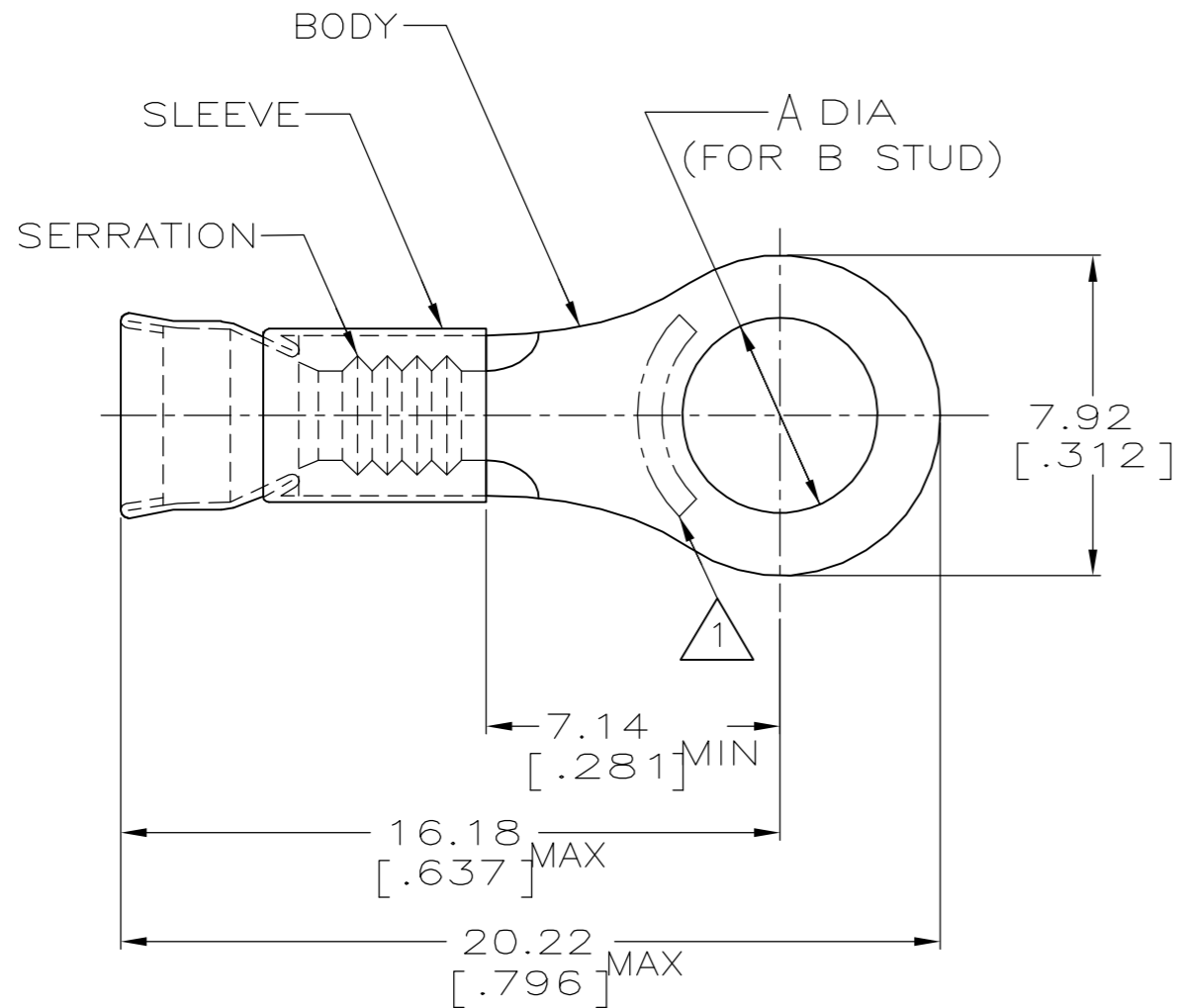
JAMECO[®]
ELECTRONICS

www.Jameco.com ♦ 1-800-831-4242

The content and copyrights of the attached
material are the property of its owner.

Jameco Part Number 888901

LOC	DIST	REVISIONS				
P	LTR	DESCRIPTION	DATE	DWN	APVD	
G	14	J1	REV PER ECR 05-016227	16DEC05	JR	TM



- 1. SEE TABLE FOR STAMPING
22-16 TERMINALS ARE STAMPED 22-18 IN ACCORDANCE WITH MILITARY SPEC MIL-T-7928
COMMERCIAL WIRE RANGE IS 22-16
- 2. WIRE INSUL DIA, 2.67-3.56 [.105-.140]
- 3. TONGUE MATL THK, 0.79±0.05 [.031±.002]

AMP 22-18AL	5.20±0.10 [.205±.004]	M5	ALUMEL	GREEN	500	LOOSE PIECE	1-321897-5
AMP 22-18CH	5.00±0.08 [.197±.003]	#10	CHROMEL	GRAY	500	LOOSE PIECE	1-321897-4
AMP 22-18AL	4.34±0.08 [.171±.003]	#8	ALUMEL	GREEN	500	LOOSE PIECE	1-321897-3
AMP 22-18CH	4.34±0.08 [.171±.003]	#8	CHROMEL	GRAY	500	LOOSE PIECE	1-321897-0
AMP 22-18	4.34±0.08 [.171±.003]	#8	NICKEL PER ASTM B162	ORANGE	1000	LOOSE PIECE	321897
STAMPING	A	B	BODY MATERIAL	SLV COLOR	QTY	PACKAGE TYPE	PART NO

AMP INCORPORATED CUSTOMER SERVICE SYSTEM		MAX RECOMMENDED OPERATING TEMPERATURE: 649° C [1200° F]	THIS DRAWING IS A CONTROLLED DOCUMENT FOR AMP INCORPORATED. IT IS SUBJECT TO CHANGE AND THE CONTROLLING ENGINEERING ORGANIZATION SHOULD BE CONTACTED FOR THE LATEST REVISION.		DWN L OLMEDA 100CT94	AMP Incorporated Harrisburg, PA 17105-3608
FOR ADDITIONAL PRODUCT INFORMATION OR COPIES OF DRAWINGS AND TECHNICAL DOCUMENTS	PRODUCT INFORMATION CENTER 1-800-522-6752		DIMENSIONS: mm [in]	TOLERANCES UNLESS OTHERWISE SPECIFIED:	CHK M ELLIS 100CT94	
FOR APPLICATION TOOLING INFORMATION	TOOLING ASSISTANCE CENTER 1-800-722-1111		0 PLC ±-	PRODUCT SPEC	NAME TERMINAL, RING TONGUE, STRATOTHERM, DIAMOND GRIP, WIRE SIZE, 22-16 AWG	
FOR ORDER ENTRY	1-800-526-5142		1 PLC ±-	2 PLC ±0.20 [.008]	APPLICATION SPEC	
		CIRCULAR MIL AREA: 0.26mm ² - 1.65mm ² [509-3260]	3 PLC ±-	WEIGHT	CAGE CODE 00779	DRAWING NO C-321897
		STRANDED WIRE	4 PLC ±-	CUSTOMER DRAWING	SCALE 6:1	SHEET 1 OF 1
			ANGLES ±-			REV J1