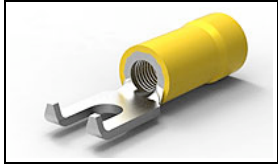


## 1-324581-1 Product Details



**1-324581-1**

TE Internal Number: 1-324581-1



### Ring and Spade Tongue Terminals

 Always EU RoHS/ELV Compliant (Statement of Compliance)

#### Product Highlights:

- Terminal Shape = Spade Tongue, Flanged
- Receptacle Style = Straight
- Body Style = PLASTI-GRIP
- Barrel Type = Closed Barrel
- Wire/Cable Type = Regular Wire

### Documentation & Additional Information

#### Product Drawings:

- [TERMINAL, SPADE, FLANGED, PLASTI-GRIP, WIRE SIZE: 12...](#) (PDF, English)

#### Catalog Pages/Data Sheets:

- None Available

#### Product Specifications:

- None Available

#### Application Specifications:

- [PLASTI-GRIP Terminals and Splices](#) (PDF, English)

#### Instruction Sheets:

- None Available

#### CAD Files: (CAD Format & Compression Information)

- [2D Drawing](#) (DXF, Version R)
- [3D Model](#) (IGES, Version R)
- [3D Model](#) (STEP, Version R)

#### Additional Product Images:

- [Product Photo](#)

#### Related Products:

- [Tooling](#)

### Product Features (Please use the Product Drawing for all design activity)

#### Product Type Features:

- [Terminal Shape](#) = Spade Tongue, Flanged
- [Receptacle Style](#) = Straight
- [Barrel Type](#) = Closed Barrel
- [Wire/Cable Type](#) = Regular Wire
- [Insulation](#) = Yes
- [Insulation Support](#) = Insulation Support
- [Stud Diameter \(mm \[in\]\)](#) = 3.51 [0.138]
- Stud Size = 6 [M3.5]
- [Shape](#) = SPADE-025
- [Heavy Duty](#) = No
- [Finish](#) = Tin
- Color = Yellow

#### Electrical Characteristics:

- Voltage (VAC) = 600

#### Termination Features:

- Wire/Cable Size (CMA) = 5,180 - 13,100

#### Dimensions:

- [Insulation Diameter \(mm \[in\]\)](#) = 3.81 - 6.35 [.150 - .250]

#### Body Features:

- [Body Style](#) = PLASTI-GRIP
- [Wire Range \(mm \[AWG\]\)](#) = 3.00-6.00<sup>2</sup> [12-10]
- [Material](#) = Copper
- [Tongue Material Thickness \(mm \[in\]\)](#) = 1.07 [0.042]
- [Insulation Material](#) = Vinyl

#### Industry Standards:

- [Government/Industry Qualification](#) = No
- [RoHS/ELV Compliance](#) = RoHS compliant, ELV compliant
- [Lead Free Solder Processes](#) = Not relevant for lead free process
- [RoHS/ELV Compliance History](#) = Always was RoHS compliant

#### Packaging Features:

- [Packaging Method](#) = Tape Mounted

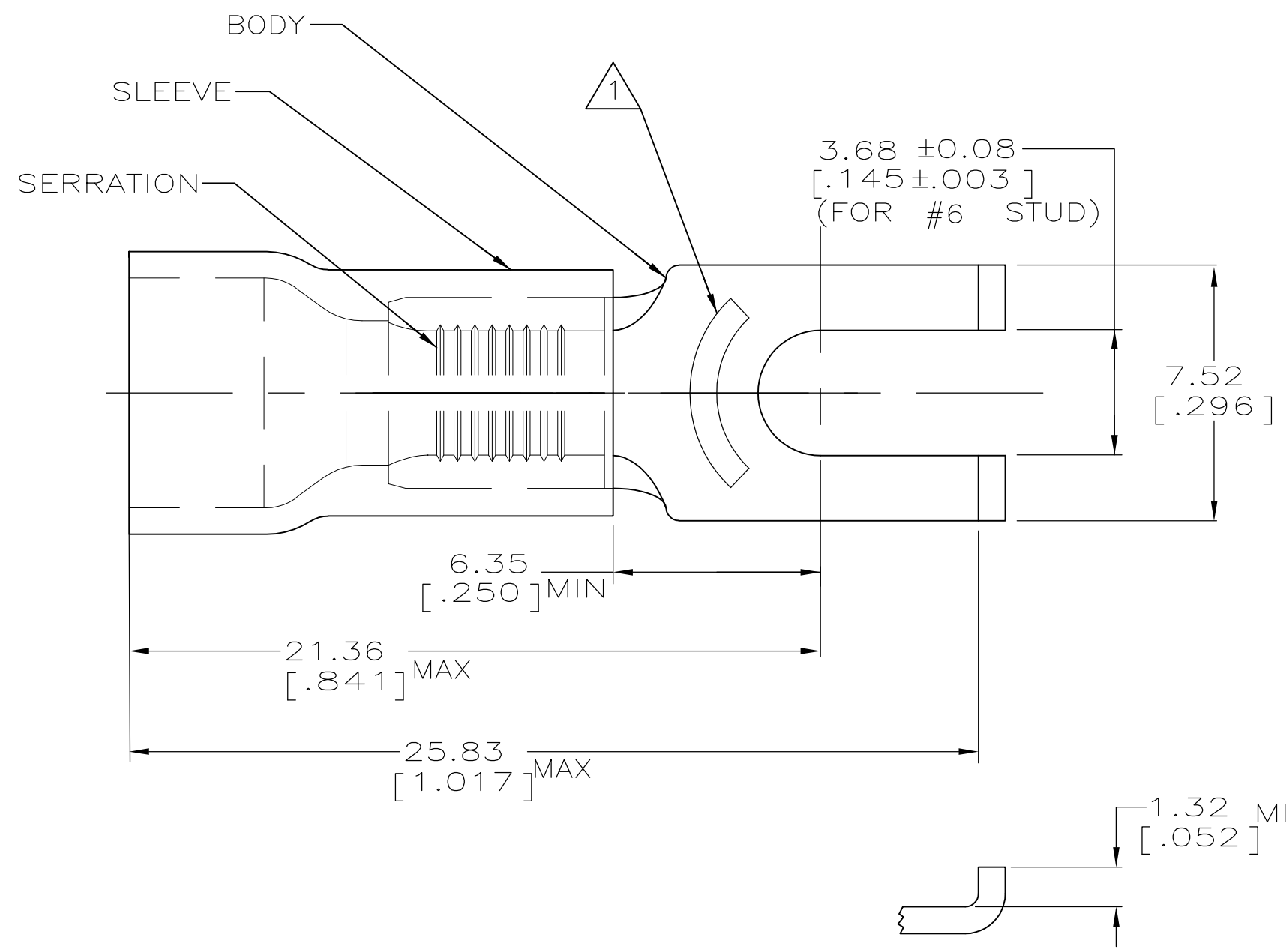
#### Other:

- Brand = AMP

THIS DRAWING IS UNPUBLISHED. RELEASED FOR PUBLICATION  
 © COPYRIGHT - By - ALL RIGHTS RESERVED.

LOC	DIST	REVISIONS					
G	14	P	LTR	DESCRIPTION	DATE	DWN	APVD
		R1		REVISED PER ECO-11-004917	11MAR11	RK	HMR

<b>AMP</b> WIRE RANGE	Listed FILE E13288	LR7189 Certified
12-10 AWG SOLID OR STRANDED	12-10 AWG SOLID OR STRANDED	12-10 AWG SOLID OR STRANDED



- ① STAMP AMP 12-10\* APPROX AS SHOWN
- 2. WIRE INSUL DIA, 3.81-6.35 [.150-.250]
- 3. TONGUE MATL THK, 1.02±0.05 [.040±.002]
- ④ MATERIAL: BODY - CU PER ASTM B152  
SLEEVE - PVC, COLOR - YELLOW

50	LOOSE PIECE, BOX	8-324581-2
2500	ON TAPE, REEL	1-324581-1
500	LOOSE PIECE	324581
QTY	PACKAGE TYPE	PART NO

<b>AMP INCORPORATED CUSTOMER SERVICE SYSTEMS</b>		MAX RECOMMENDED OPERATING TEMPERATURE: 105°C	THIS DRAWING IS A CONTROLLED DOCUMENT.		DWN L OLMEDA 05SEP95	TE Connectivity				
FOR ADDITIONAL PRODUCT INFORMATION OR COPIES OF DRAWINGS AND TECHNICAL DOCUMENTS	PRODUCT INFORMATION CENTER 1-800-522-6752	VOLTAGE RATING: 600V MAX (1000V FIXTURE OR SIGN)	DIMENSIONS: mm[INCHES]	TOLERANCES UNLESS OTHERWISE SPECIFIED:	CHK M ELLIS 05SEP95				NAME	
FOR APPLICATION TOOLING INFORMATION	TOOLING ASSISTANCE CENTER 1-800-722-1111	CIRCULAR MIL AREA: 2.62-6.64mm² [5,180-13,100] SOLID OR STRANDED		0 PLC ± - 1 PLC ± - 2 PLC ± 0.20 [.008] 3 PLC ± - 4 PLC ± - ANGLES ± -	APVD G NGO 05SEP95	PRODUCT SPEC				
FOR ORDER ENTRY	1-800-526-5142	THIS DRAWING IS A CONTROLLED DOCUMENT FOR AMP INCORPORATED. IT IS SUBJECT TO CHANGE AND THE CONTROLLING ENGINEERING ORGANIZATION SHOULD BE CONTACTED FOR THE LATEST REVISION.	MATERIAL ④	FINISH TIN PER ASTM B545	PRODUCT SPEC UL 486A	APPLICATION SPEC	SIZE	CAGE CODE	DRAWING NO	RESTRICTED TO
					WEIGHT	A3 00779 C-324581				
					CUSTOMER DRAWING			SCALE	SHEET	REV
								6:1	1 OF 1	R1