

Distributed by:

**JAMECO**<sup>®</sup>  
ELECTRONICS

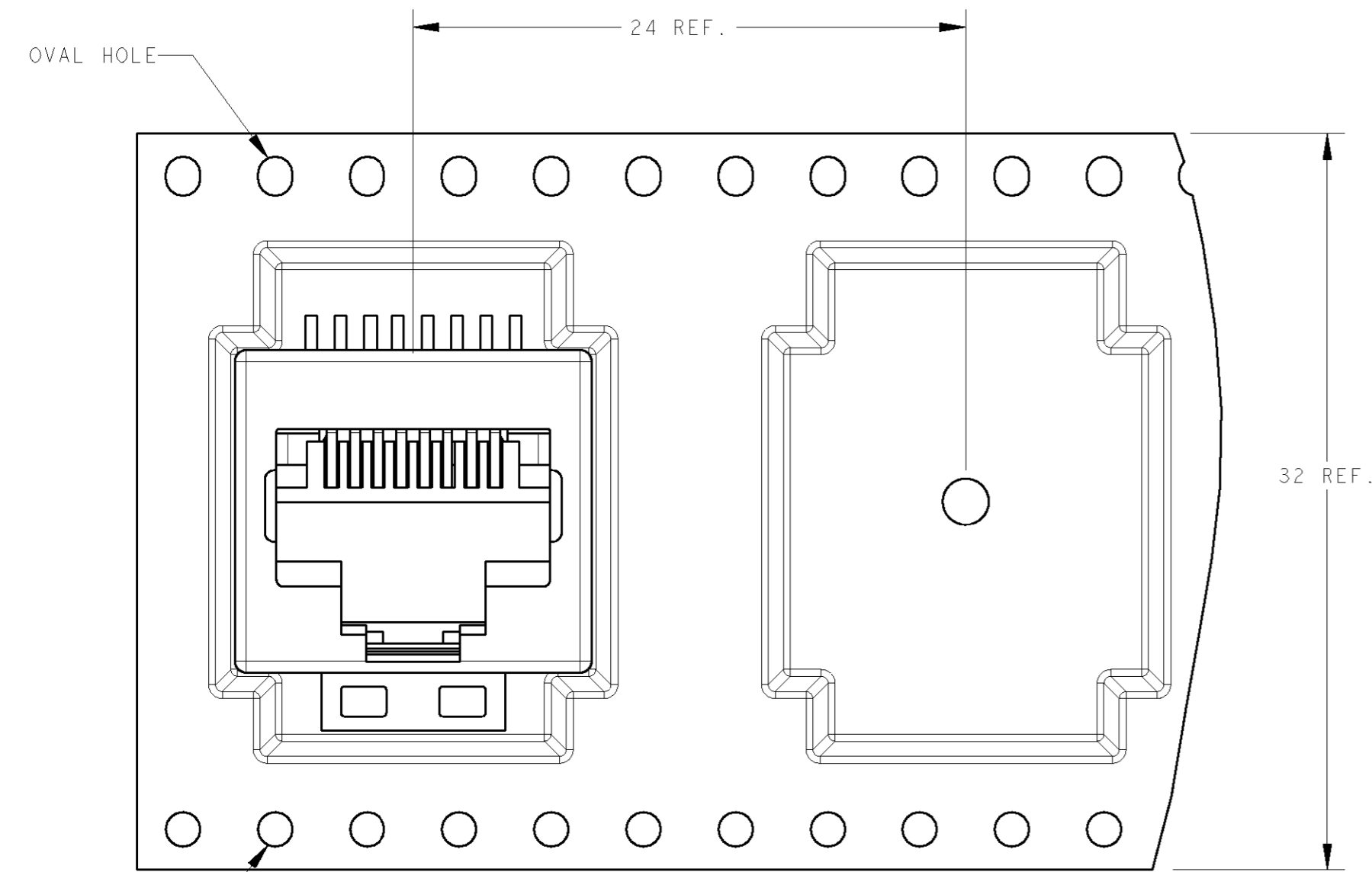
**www.Jameco.com ♦ 1-800-831-4242**

The content and copyrights of the attached  
material are the property of its owner.

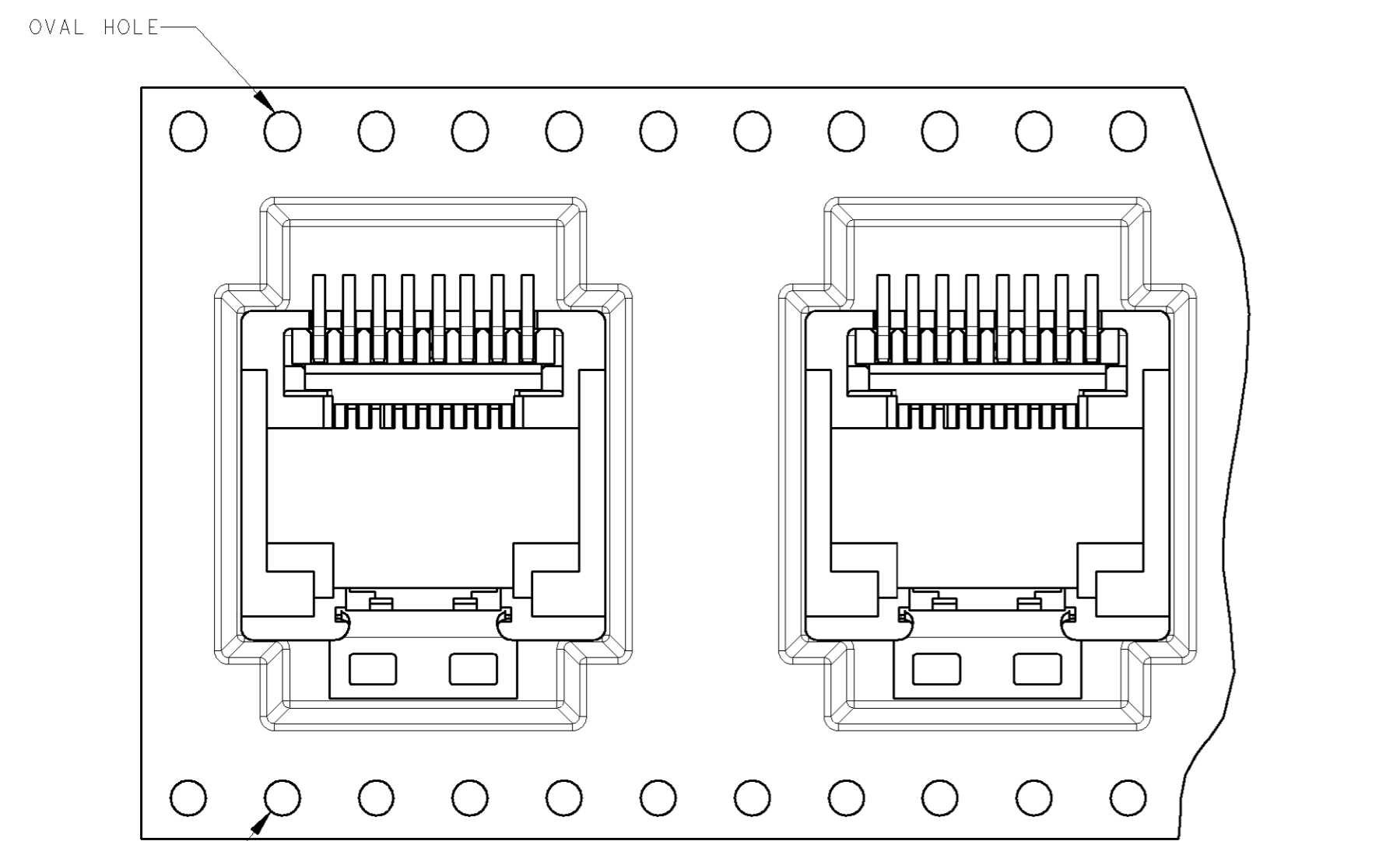
Jameco Part Number 740931

THIS DRAWING IS UNPUBLISHED. RELEASED FOR PUBLICATION  
 BY AMP INCORPORATED. ALL RIGHTS RESERVED.

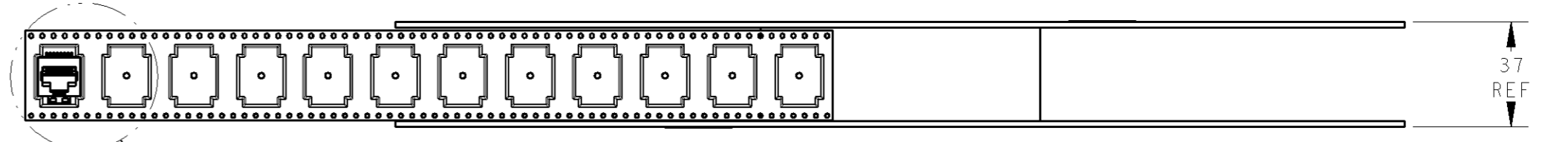
LOC	DIST	REVISIONS			
P	LTR	DESCRIPTION	DATE	DWN	APVD
AA	22	SEE SHEET 1	-	-	-



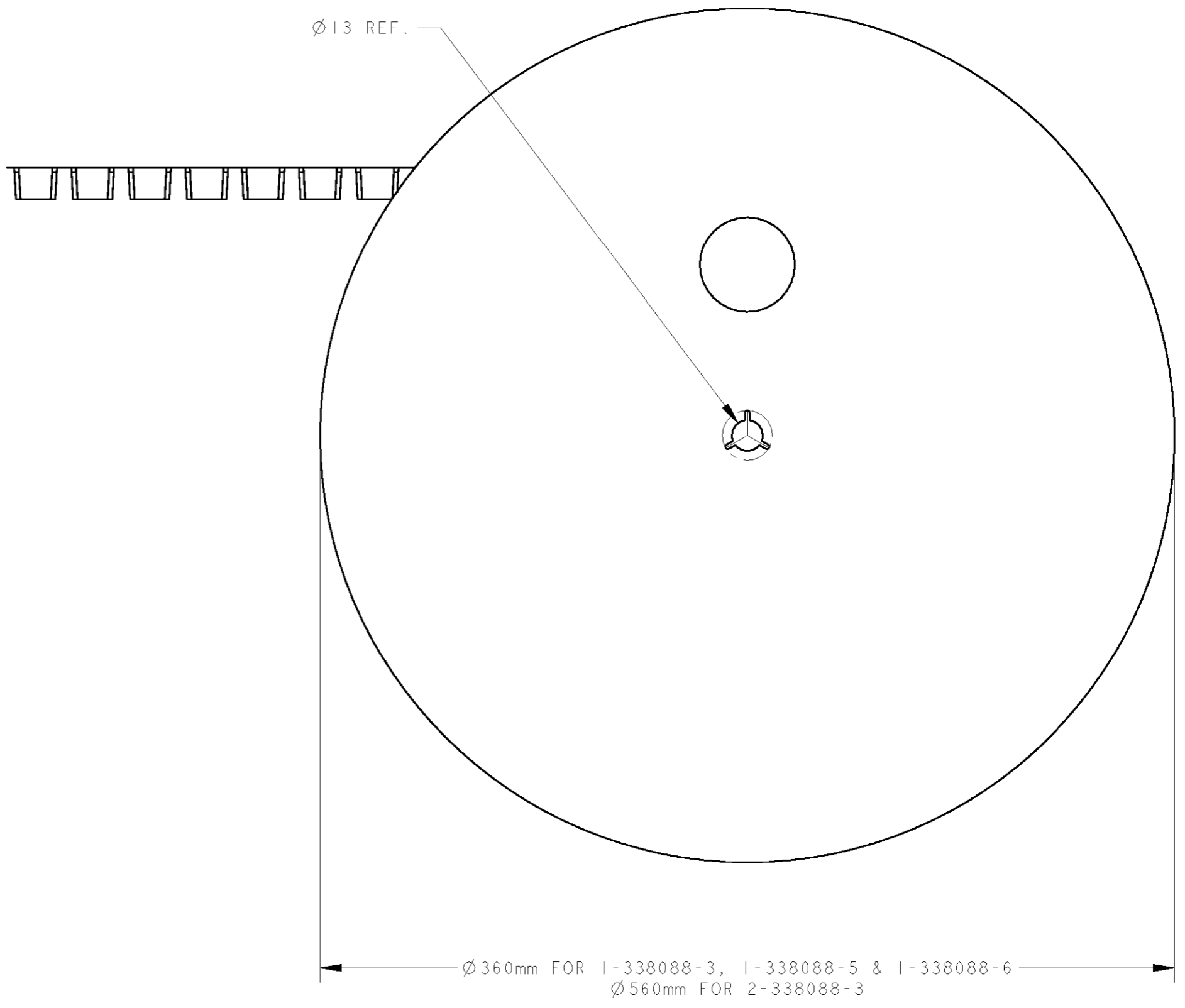
TOP ENTRY ORIENTATION.  
 DETAIL B1  
 SCALE 4:1



BOTTOM ENTRY ORIENTATION.  
 DETAIL B2  
 SCALE 4:1



SEE DETAIL B1 & B2

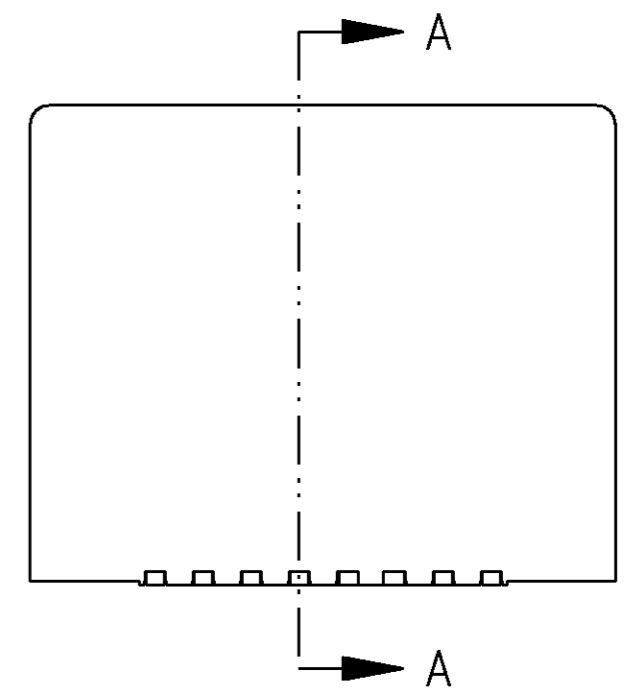
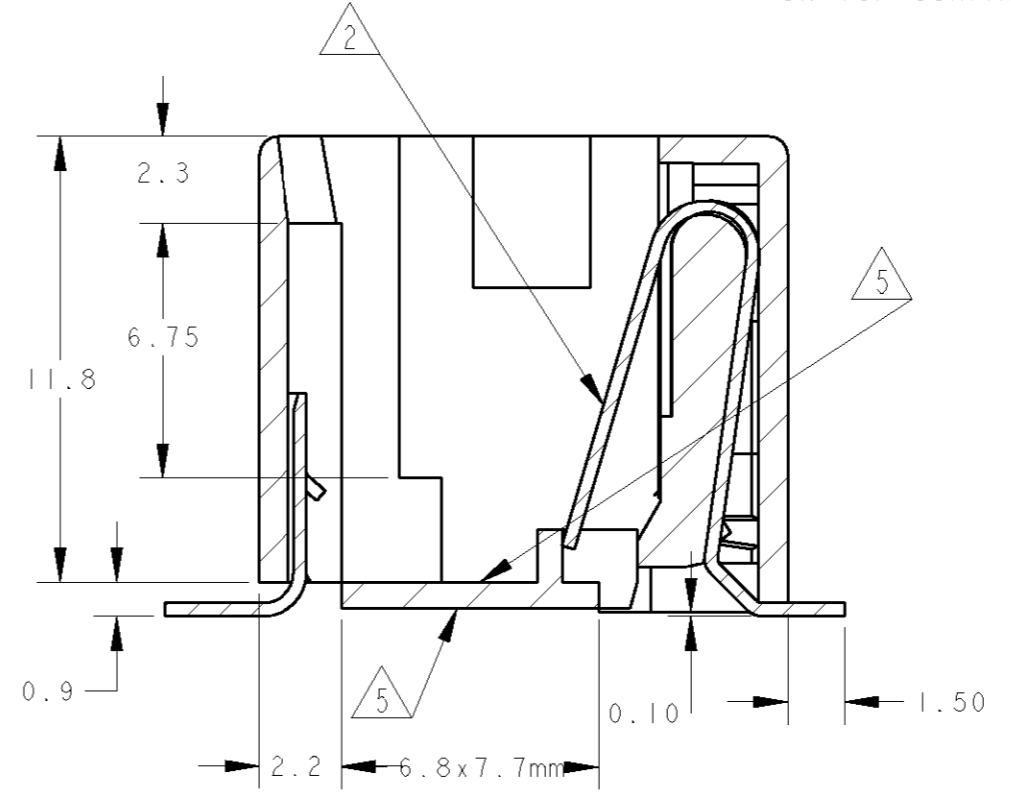
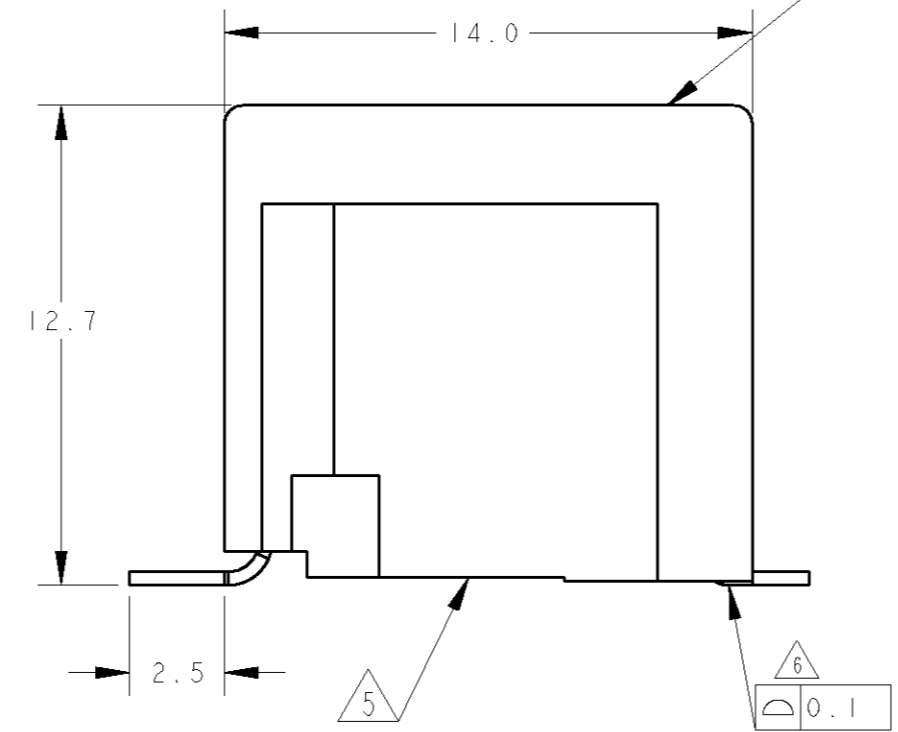
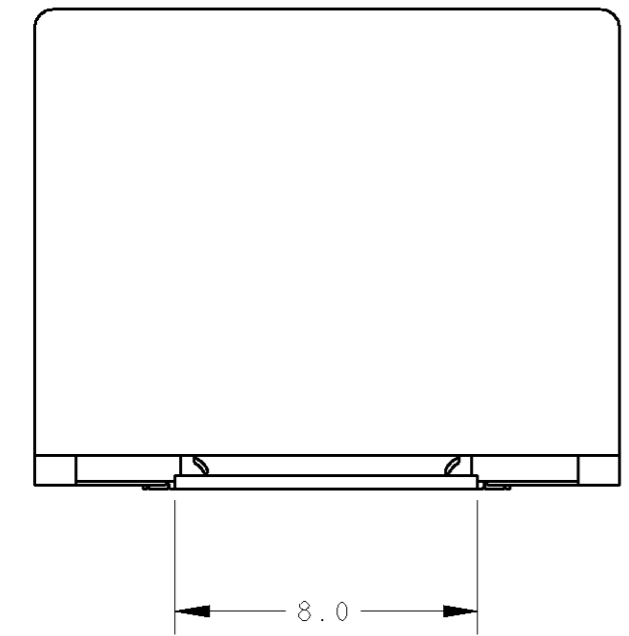
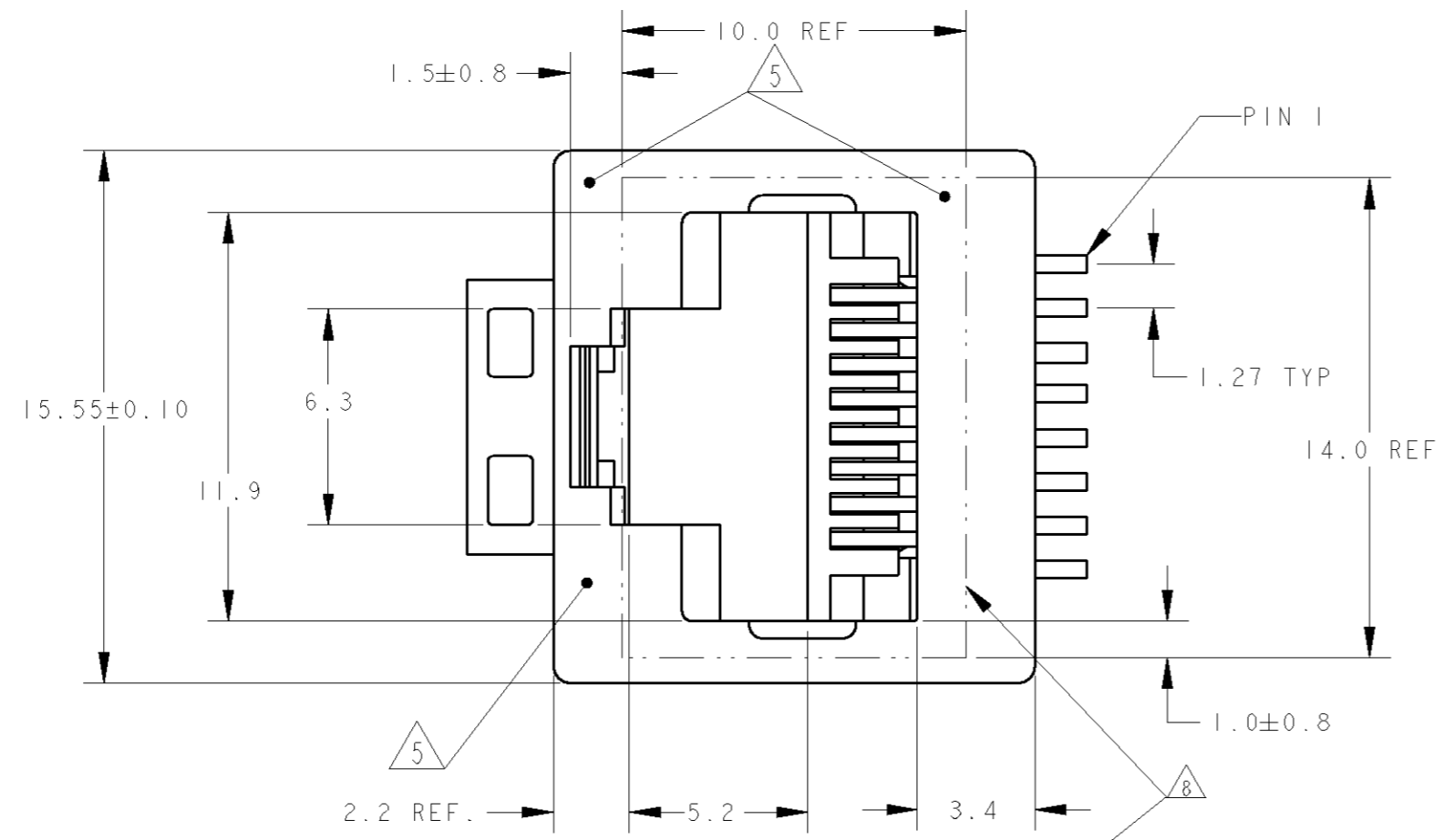
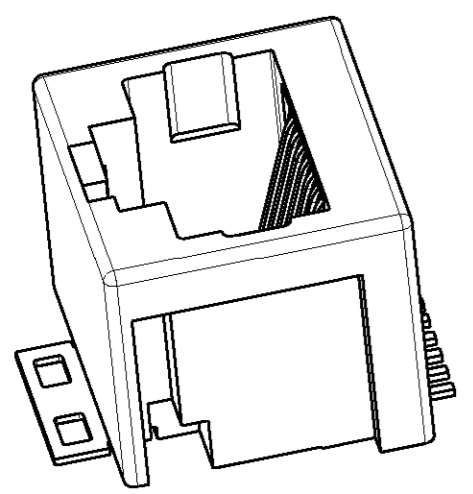


THIS DRAWING IS A CONTROLLED DOCUMENT FOR AMP INCORPORATED. IT IS SUBJECT TO CHANGE AND THE CONTROLLING ENGINEERING ORGANIZATION SHOULD BE CONTACTED FOR THE LATEST REVISION.		DWN 11-Oct-96 CHK E.v.ELJK Dec.'96 APVD E.STELLINGA R.SMEETS	Tyco Electronics Harrisburg, PA 17105-3608
DIMENSIONS: mm 	TOLERANCES UNLESS OTHERWISE SPECIFIED: 0 PLC ± 1 PLC ± 2 PLC ± 3 PLC ± 4 PLC ± ANGLES ± FINISH -	NAME INVERTIBLE MODULAR JACK, 8 POSITION, FOR SURFACE MOUNT APPLICATION	RESTRICTED TO -
MATERIAL		PRODUCT SPEC APPLICATION SPEC WEIGHT CUSTOMER DRAWING	SIZE A2 CAGE CODE 00779 DRAWING NO. C-338088 SCALE 1:2 SHEET 2 OF 2 REV T

338088-C

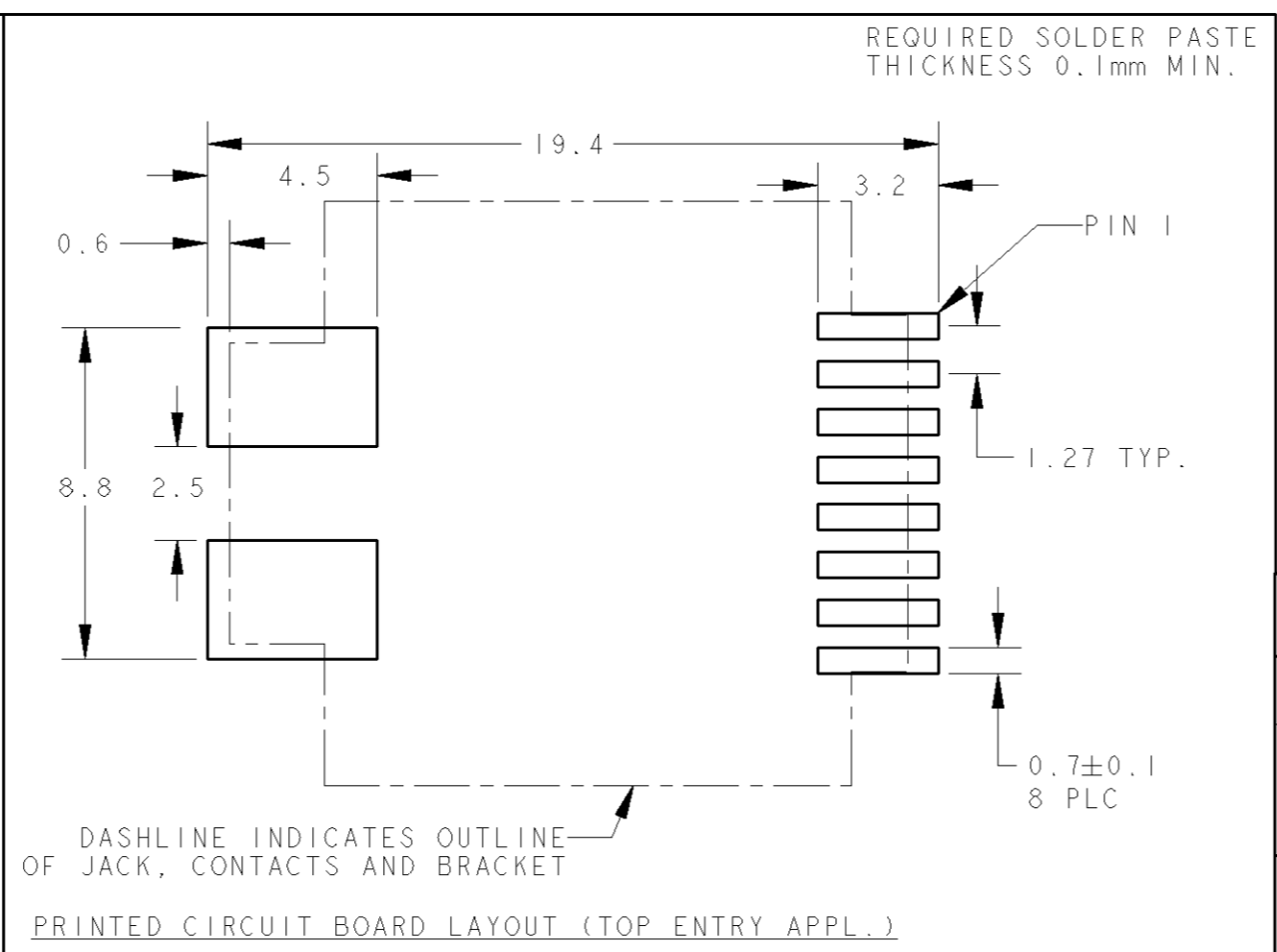
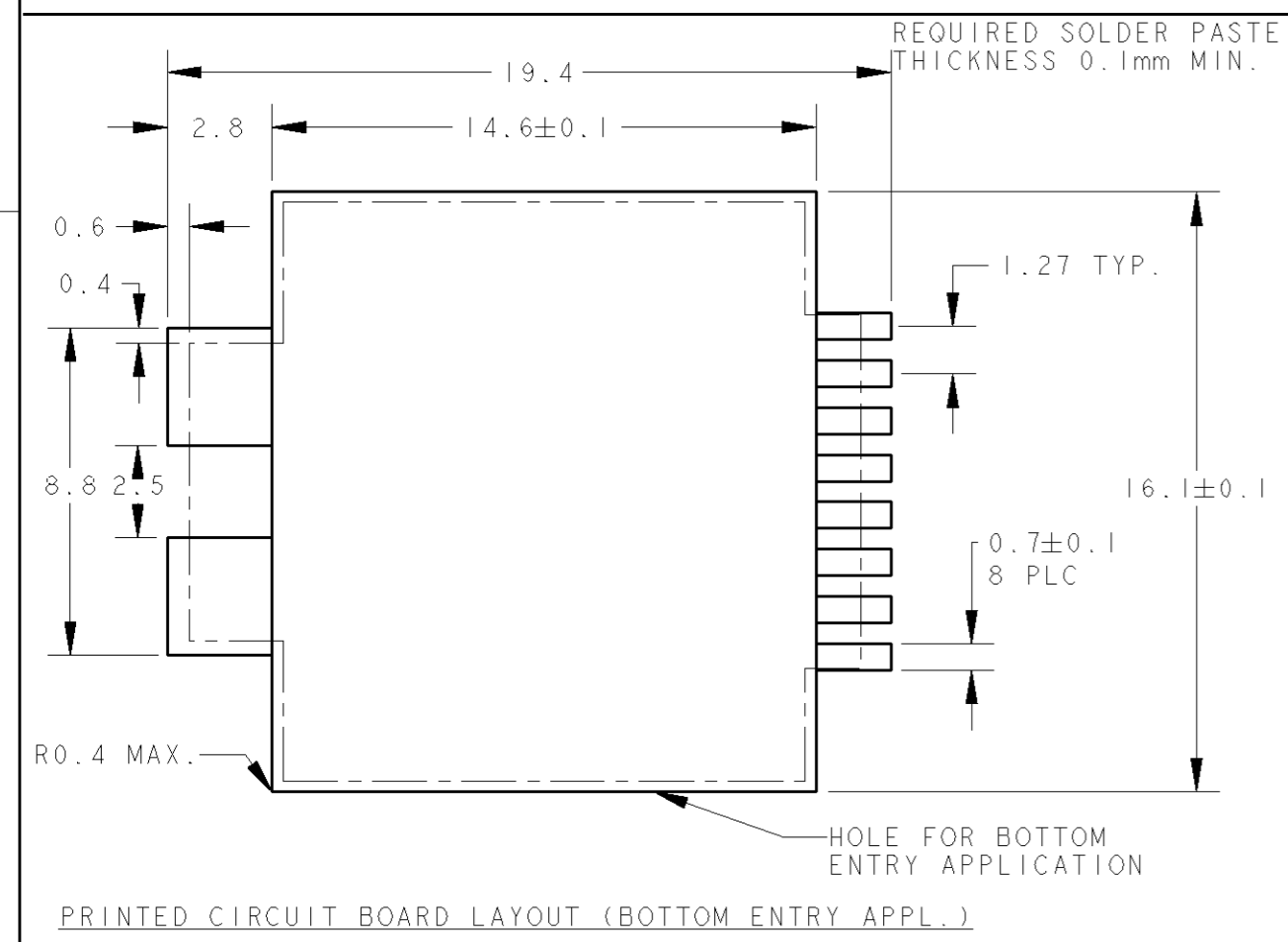
THIS DRAWING IS UNPUBLISHED. RELEASED FOR PUBLICATION .19  
 BY AMP INCORPORATED. ALL RIGHTS RESERVED.

LOC	DIST	REVISIONS					
		P	LTR	DESCRIPTION	DATE	DWN	APVD
AA	22		S	EH10-0136-04	08-SEP-04	PW	PG
			T	EH10-0191-05	15FEB2005	PW	JB



NOTES:

- TOLERANCES UNLESS OTHERWISE SPECIFIED:  $\pm 0.15$ .
- CONTACT PLATING:  
 1.27 $\mu$ m MIN. GOLD SELECTIVE IN CONTACT AREA,  
 OVER 1.27 $\mu$ m MIN. NICKEL.  
 3.5-5.0 $\mu$ m MIN. MATTE TIN ON SOLDER TINES.
- MATERIAL:  
 HOUSING: 30% G.F. PA 4.6, COLOR BLACK, UL 94V-0.  
 CONTACTS: PHOSPHOR BRONZE  
 SOLDER BRACKET: TINPLATED BRASS WITH NICKEL UNDERLAYER.
- THIS JACK CAN ALSO BE APPLIED HANGING THROUGH A HOLE, IN A PRINTED CIRCUIT BOARD. SEE LEFT PCB LAYOUT.
- SURFACE CAN BE USED FOR PICKING THE MODULAR JACK WITH, TYPE 11 SMD MACHINE.
- MEASURED AT HEEL OF CONTACTS, COPLANARITY AT TIPS MAX. 0.18mm.
- TAPE AND REEL PACKAGING ACCORDING TO EIA 481-3 SPECIFICATIONS.
- INCLUDES KAPTON TAPE (10mm x 14mm) ON TOP SURFACE FOR PICK AND PLACE UNIT



REMARKS	PACKAGING	PART NUMBER
8 POS./8 CONTACT	250PCS ON $\varnothing 360$ mm OD REEL TOP ENTRY ORIENTATION PER DETAIL B1 WITH KAPTON TAPE FOR PICK AND PLACING	1-338088-6
8 POSN./8 CONTACT	250 PCS ON $\varnothing 360$ mm OD REEL BOTTOM ENTRY ORIENTATION PER DETAIL B2	1-338088-5
8 POSN./8 CONTACT	500 PCS ON $\varnothing 560$ mm OD REEL TOP ENTRY ORIENTATION PER DETAIL B1	2-338088-3
8 POSN./8 CONTACT	250 PCS ON $\varnothing 360$ mm OD REEL TOP ENTRY ORIENTATION PER DETAIL B1	1-338088-3

THIS DRAWING IS A CONTROLLED DOCUMENT FOR AMP INCORPORATED. IT IS SUBJECT TO CHANGE AND THE CONTROLLING ENGINEERING ORGANIZATION SHOULD BE CONTACTED FOR THE LATEST REVISION.

DIMENSIONS: mm

TOLERANCES UNLESS OTHERWISE SPECIFIED:  
 0 PLC  $\pm$   
 1 PLC  $\pm$   
 2 PLC  $\pm$   
 3 PLC  $\pm$   
 4 PLC  $\pm$   
 ANGLES  $\pm$   
 FINISH

MATERIAL: SEE NOTE 3

FINISH: SEE NOTE 2

DWN: E.v.ELJK 30-Sep-96  
 CHK: E.STELLINGA Dec.'96  
 APVD: R.SMEETS

PRODUCT SPEC: 108-19117  
 APPLICATION SPEC: 114-19041  
 WEIGHT: 2.1 gr

AMP Tyco Electronics Harrisburg, PA 17105-3608

NAME: INVERTIBLE MODULAR JACK, 8 POSITION, FOR SURFACE MOUNT APPLICATION

SIZE: A2 CAGE CODE: 00779 DRAWING NO: 338088 RESTRICTED TO: -

CUSTOMER DRAWING SCALE: 5:1 SHEET 1 OF 2 REV T