

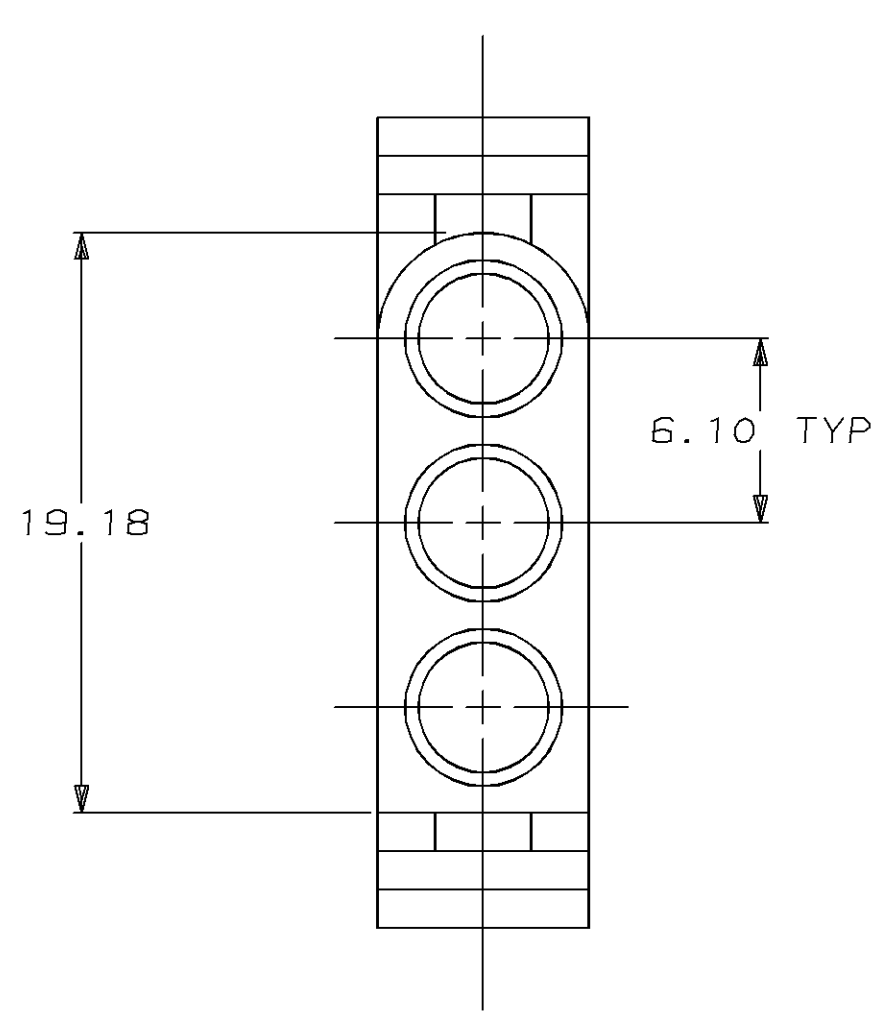
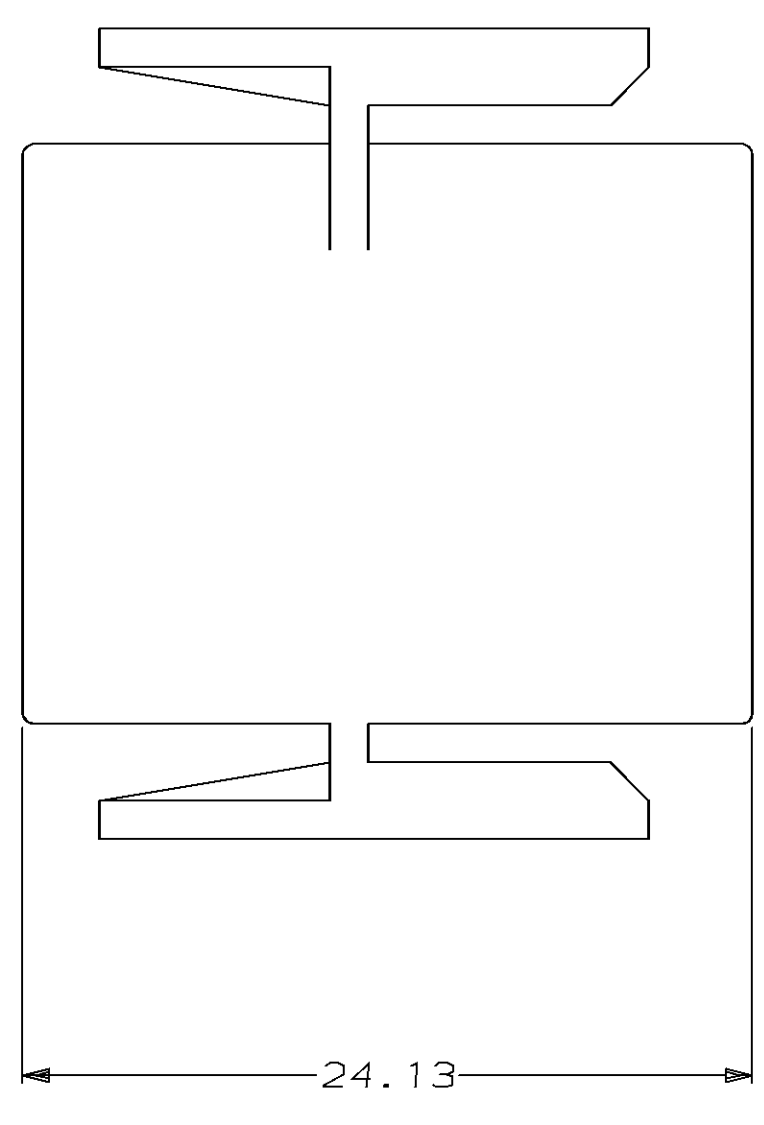
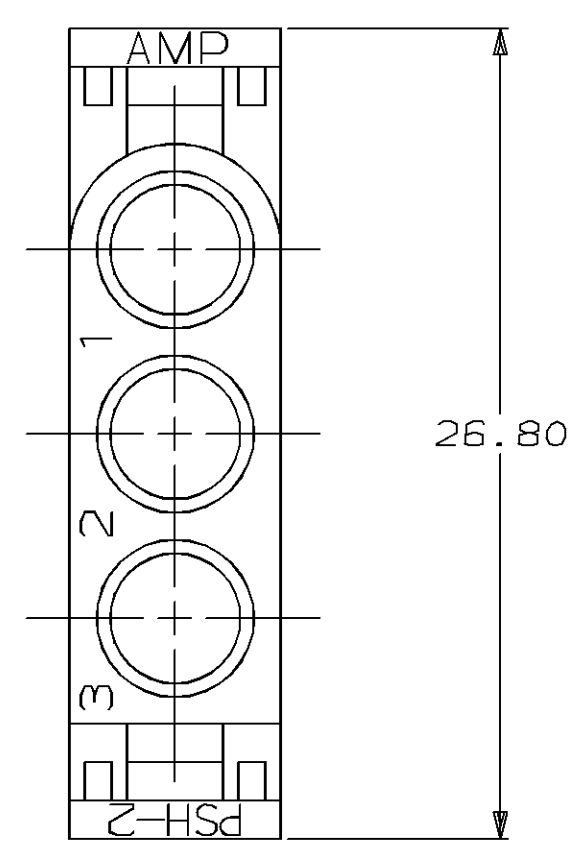
Distributed by:

JAMECO[®]
ELECTRONICS

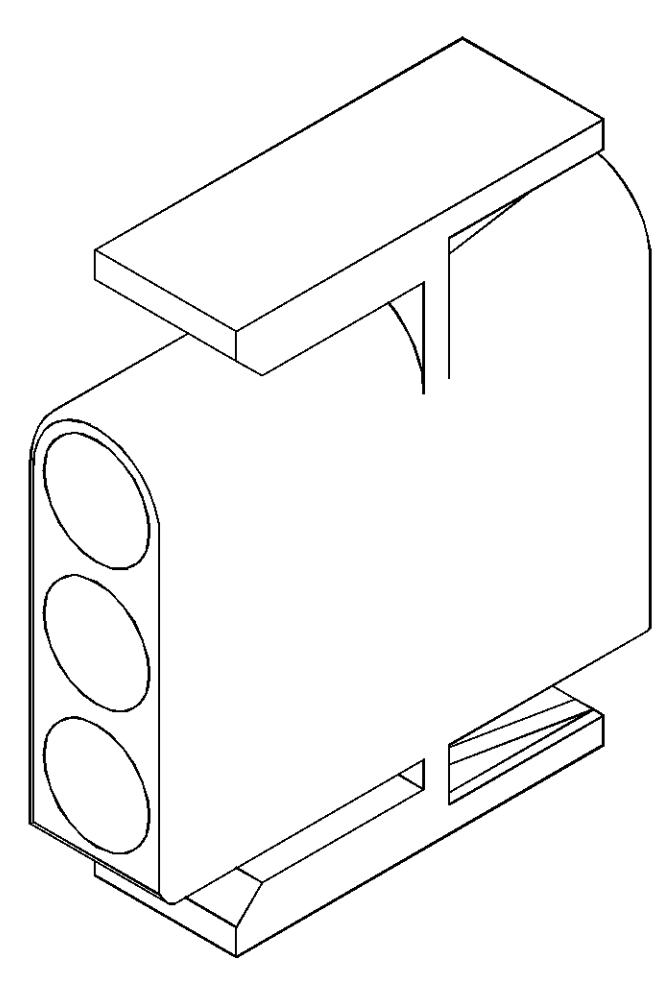
www.Jameco.com ♦ 1-800-831-4242

The content and copyrights of the attached
material are the property of its owner.

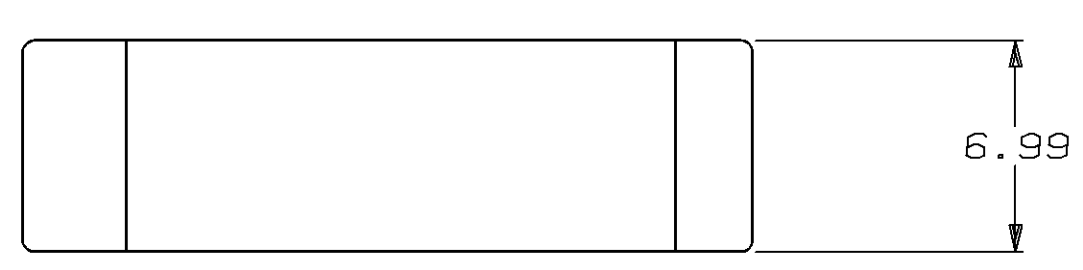
Jameco Part Number 745539



1. TO BE USED WITH .140 SERIES SOCKETS.
 2. TO BE USED WITH CAP 350347.
- ⚠ FOR FOREIGN PRODUCTION ONLY



3-DIMENSIONAL MODEL
NTS



6.99	.275	-	-
6.10	.240	26.80	1.055
3.56	.140	24.13	.950
0.13	.005	19.18	.755
MM	IN	MM	IN

METRIC

⚠	RED	NYLON, UL94V-2	1-350346-2
	NATURAL	NYLON, UL94V-2	1-350346-0
	COLOR	MATERIAL	PART NUMBER

<small>THIS DRAWING IS A CONTROLLED DOCUMENT FOR AMP INCORPORATED. IT IS SUBJECT TO CHANGE AND THE CONTROLLING ENGINEERING REGULATION SHALL BE CONTACTED FOR THE LATEST VERSION.</small>		DWN: J. HUFFMAN 8-14-95 CHK: R. SWING 8-14-95 APVD: C. MARTIN 8-15-95	AMP AMP Incorporated Harrisburg, PA 17105-3608
DIMENSIONS: mm	TOLERANCES UNLESS OTHERWISE SPECIFIED: Ø PLG ±.013 PLG ±.013 PLG ±.013 PLG ±.013 ANGLES ±.003 FINISH -	NAME: C. MARTIN PRODUCT SPEC: - APPLICATION SPEC: - WEIGHT: -	SIZE: A1 CAGE CODE: 00779 DRAWING NO: C-350346 SCALE: 5:1 SHEET: 1 OF 1 REV: L
MATERIAL: NYLON, UL 94V-0, NATURAL	FINISH: -	CUSTOMER DRAWING	PLUG, 3 CIRCUIT, .140 MATE-N-LOK™