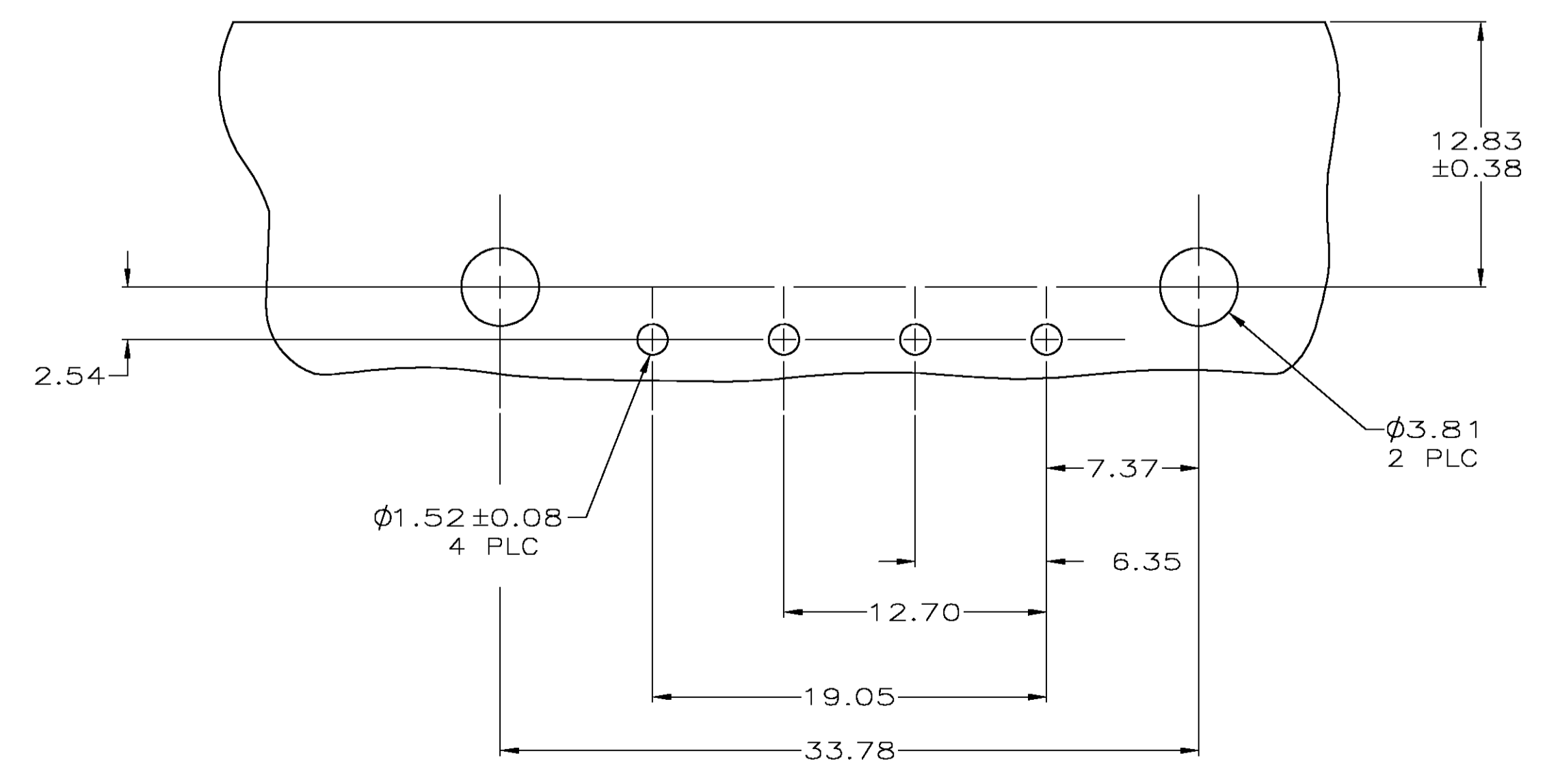
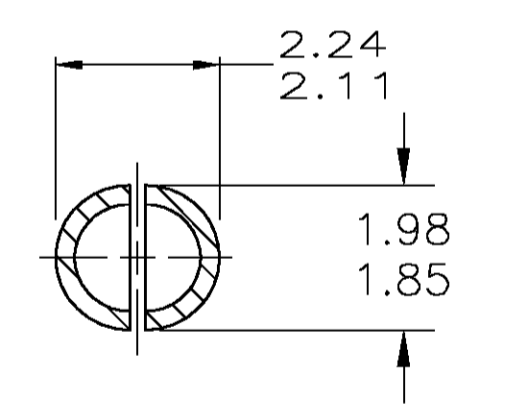
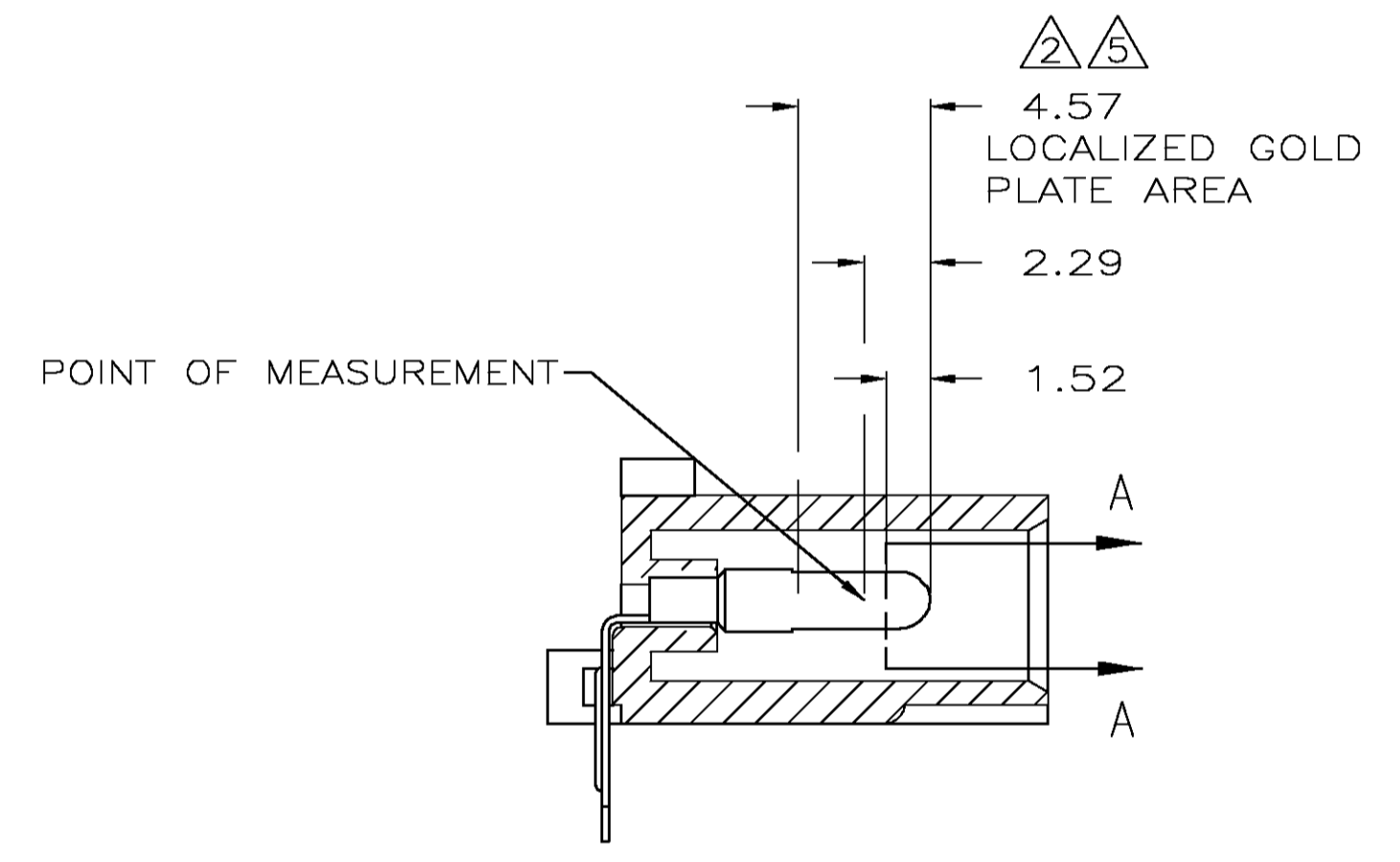
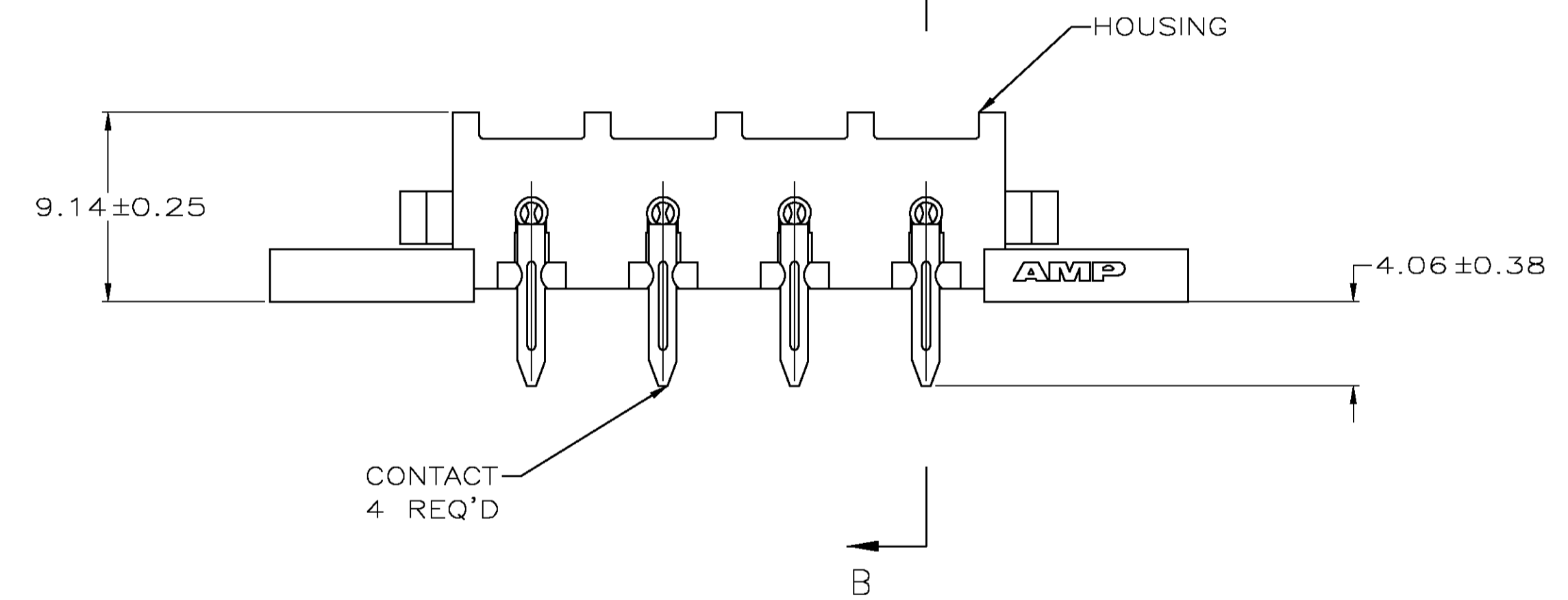
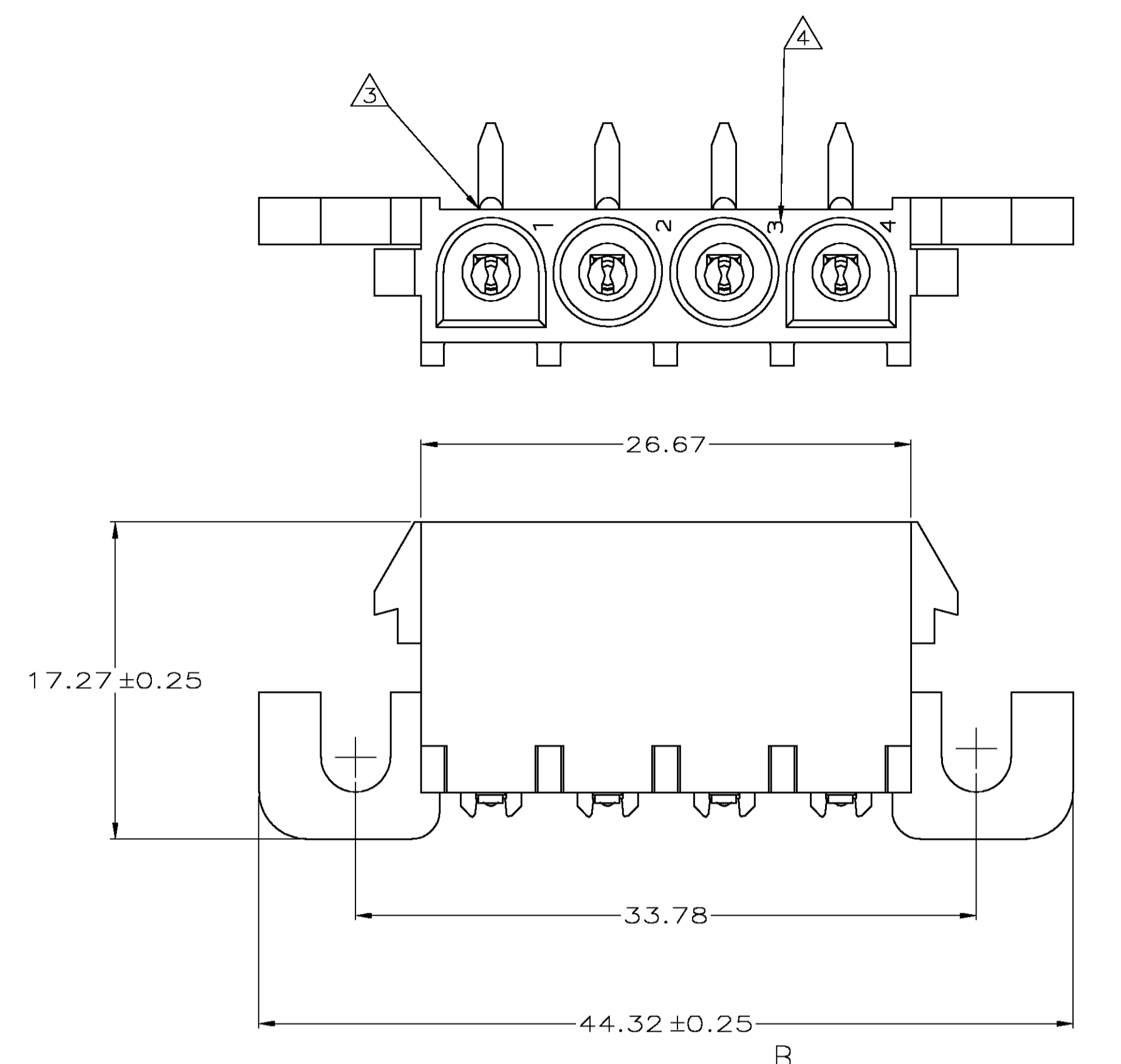


LOC		DIST		REVISIONS			
P	LR	DATE	BY	APP'D	REV	PER	EC
N		23JUN03	SC	SR	1		03



RECOMMENDED MOUNTING HOLE PATTERN FOR 1.57 THICK P.C. BOARD

- PARTS COMPLY WITH AMP SOLDERABILITY SPECIFICATION 109-11-5.
- CONTACT IS PLATED OVERALL WITH 0.00127 MIN NICKEL, THEN 0.00076 GOLD OVER CONTACT LENGTH INDICATED AND MATTE TIN-LEAD FINISH ON SOLDER TAIL END.
- OPTIONAL CONSTRUCTION MAY DELETE THIS RIB.
- CIRCUIT IDENTIFICATION CHARACTERS ARE ADJACENT TO THE INDICATED CAVITIES, BUT LOCATION AND ORIENTATION MAY BE DIFFER FROM PRINT.
- CONTACT IS PLATED OVERALL WITH 0.00127 MIN NICKEL, THEN 0.00076 GOLD OVER CONTACT LENGTH INDICATED AND MATTE TIN FINISH ON SOLDER TAIL END.

MM	IN	MM	IN
2.54	.100		
2.29	.090	44.32	1.745
2.24	.088	33.78	1.330
2.11	.083	26.67	1.050
1.98	.078	19.05	.750
1.85	.073	17.27	.680
1.57	.062	12.83	.505
1.52	.060	12.70	.500
0.38	.015	9.14	.360
0.25	.010	7.37	.290
0.13	.005	6.35	.250
0.08	.003	4.57	.180
.00127	.000050	4.06	.160
.00076	.000030	3.81	.150
MM	IN	MM	IN

PH BRZ GOLD, Δ	NYLON UL 94V-0	3-350944-0
PH BRZ GOLD, ∇	NYLON UL 94V-0	2-350944-0
PH BRZ PRE-TIN	NYLON UL 94V-0	1-350944-0
CONTACT	HOUSING	PART NUMBER

THIS DRAWING IS A CONTROLLED DOCUMENT.

DIMENSIONS: MM	TOLERANCES UNLESS OTHERWISE SPECIFIED:	0 PLC ±	1 PLC ±	2 PLC ± 0.13	3 PLC ±	4 PLC ±	ANGLES ±	FINISH ±
----------------	--	---------	---------	--------------	---------	---------	----------	----------

MATERIAL SEE TABLE

WEIGHT: A1 00779 C=350944

CUSTOMER DRAWING

SCALE: 4:1 SHEET: 1 OF 1 REV: N

