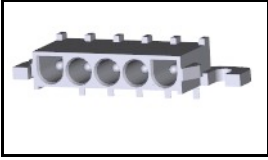


1-350945-0 Product Details

[Share](#) [Print](#) [Email](#)



1-350945-0

TE Internal Number: 1-350945-0

Active

[View 3D PDF](#)

.250" Centerline, 600 V, 19 - 36 A max

Always EU RoHS/ELV Compliant
(Statement of Compliance)

Product Highlights:

- Universal MATE-N-LOK Product Line
- Wire-to-Board
- Applies To Printed Circuit Board
- Connector
- Header

[View all Features](#)

Quick Links

- ▶ [Pricing & Availability](#)
- ▶ [Search for Tooling](#)
- ▶ [View Mating Products \(3\)](#)
- ▶ [Product Feature Selector](#)
- ▶ [Contact Us About This Product](#)

[Add to My Part List](#)

[Request Sample](#)

[Find Similar Products](#)

[Buy Product](#)

Documentation & Additional Information

Product Drawings:

- [PIN HEADER ASSEMBLY,RIGHT ANGLE MOUNT,5 POSITION, U...](#) (PDF, English)

Catalog Pages/Data Sheets:

- [SOFT_SHELL_PIN_SOCKET_CONNECTORS_STANDARD_DENSITY](#) (PDF, English)

Product Specifications:

- None Available

Application Specifications:

- [Universal MATE-N-LOK Connectors](#) (PDF, English)

Instruction Sheets:

- [Universal MATE-N-LOK Connectors](#) (PDF, English)

CAD Files: ([CAD Format & Compression Information](#))

- [2D Drawing](#) (DXF, Version L)
- [3D Model](#) (IGES, Version L)
- [3D Model](#) (STEP, Version L)

[List all Documents](#)

Additional Information:

- [Product Line Information](#)

Related Products:

- [Tooling](#)
- [Mating Products \(3\)](#)

Product Features (Please use the Product Drawing for all design activity)

Product Type Features:

- Product Line = Universal MATE-N-LOK
- Product Type = Connector
- Connector Type = Header
- PCB Mounting Orientation = Right Angle
- PCB Mount Retention = With
- PCB Mount Alignment = Without
- Sealed = No
- PCB Mount Retention Type = Mounting Hole(s)
- CSA File Number = LR 7189

Mechanical Attachment:

- Contact Retention = Without
- Mating Retention Type = Positive Lock
- Panel Mount Retention = Without

Electrical Characteristics:

Housing Features:

- Connector Style = Plug
- Centerline (mm [in]) = 6.35 [0.2499]
- Housing Material = Nylon - GF
- Housing Color = White
- Mating Alignment = With
- Mating Alignment Type = Polarization

Configuration Features:

- Number of Positions = 5
- Number of Rows = 1
- Strain Relief = Without

Industry Standards:

- Agency/Standard = UL, CSA
- UL Flammability Rating = UL 94V-0
- [RoHS/ELV Compliance](#) = RoHS compliant, ELV

- Contact - Rated Current (A) = 19
- Operating Voltage Reference = AC
- Operating Voltage (VAC) = 600

Termination Features:

- Termination Method to Wire/Cable = Solder
- Termination Method to PC Board = Through Hole - Solder

Dimensions:

- Tail Length (mm [in]) = 4.06 [0.16]
- PCB Thickness, Recommended (mm [in]) = 1.57 [0.062]

Body Features:

- Mating Retention = With
- Assembly Integration Feature = Without

Contact Features:

- Contact Type = Pin
- Contact Style = Right-Angle
- Contact Layout = In-Line
- Contact Base Material = Phosphor Bronze
- Contact Plating, Mating Area, Material = Tin
- Tail Plating Material = Tin
- Multiple Contact Types = Without

compliant

- [Lead Free Solder Processes](#) = Wave solder capable to 240°C, Wave solder capable to 260°C, Wave solder capable to 265°C
- RoHS/ELV Compliance History = Always was RoHS compliant
- VDE Tested = Yes
- UL Rating = Recognized
- UL File Number = E28476
- CSA Rating = Certified

Environmental:

- Operating Temperature (°C [°F]) = -55 - +105 [-67 - +221]

Conditions for Usage:

- Applies To = Printed Circuit Board
- Glow Wire Rating = Standard Part - Not Glow Wire
- For Use With = Universal MATE-N-LOK Plug Housing

Operation/Application:

- Application Use = Wire-to-Board

Packaging Features:

- Packaging Method = Box/Carton
- Packaging Quantity = 140

Other:

- Brand = AMP

Corporate Information

- [About TE](#)
- [Investors](#)
- [News Room](#)
- [Supplier Portal](#)
- [Careers](#)
- [Terms & Conditions](#)
- [Privacy Policy](#)
- [AODA Accessibility Policy](#)
- [AODA Multi-Year Accessibility Plan](#)

Quick Links

- [Distributor Inventory](#)
- [Product Cross Reference](#)
- [Documents & Drawings](#)
- [Product Compliance Support Center](#)
- [Site Map](#)

Customer Support

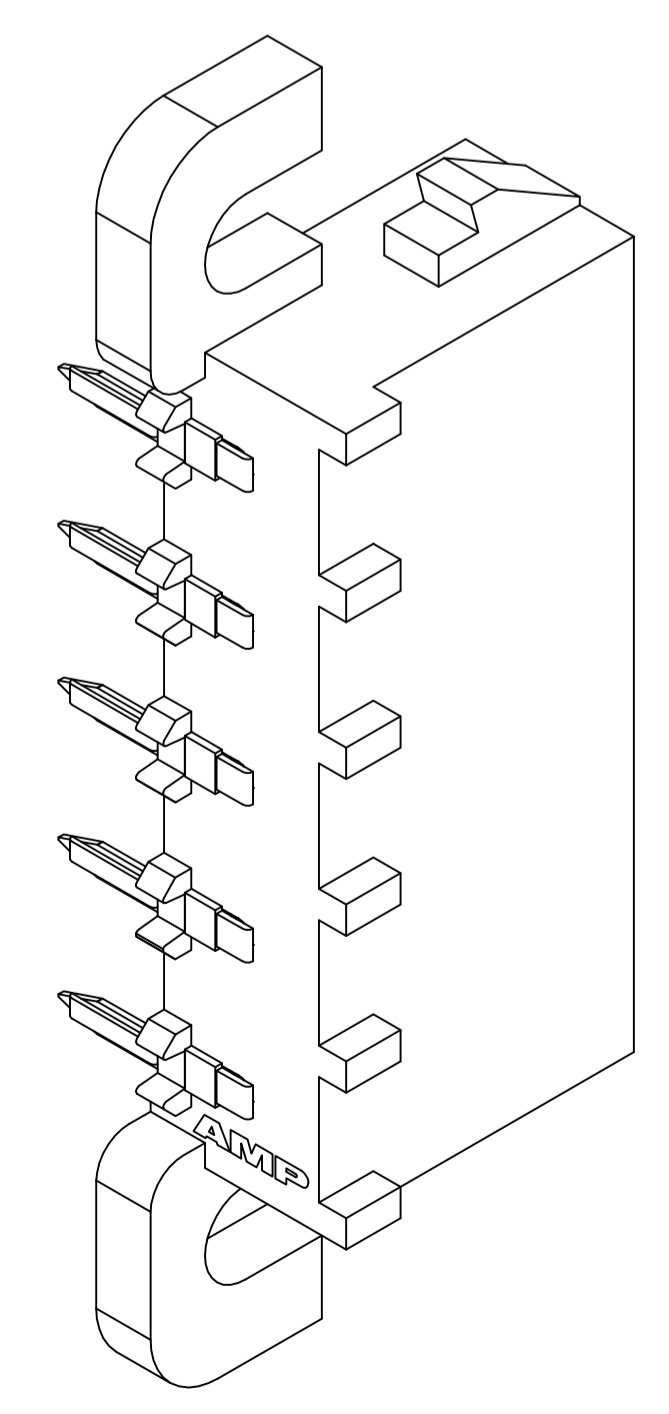
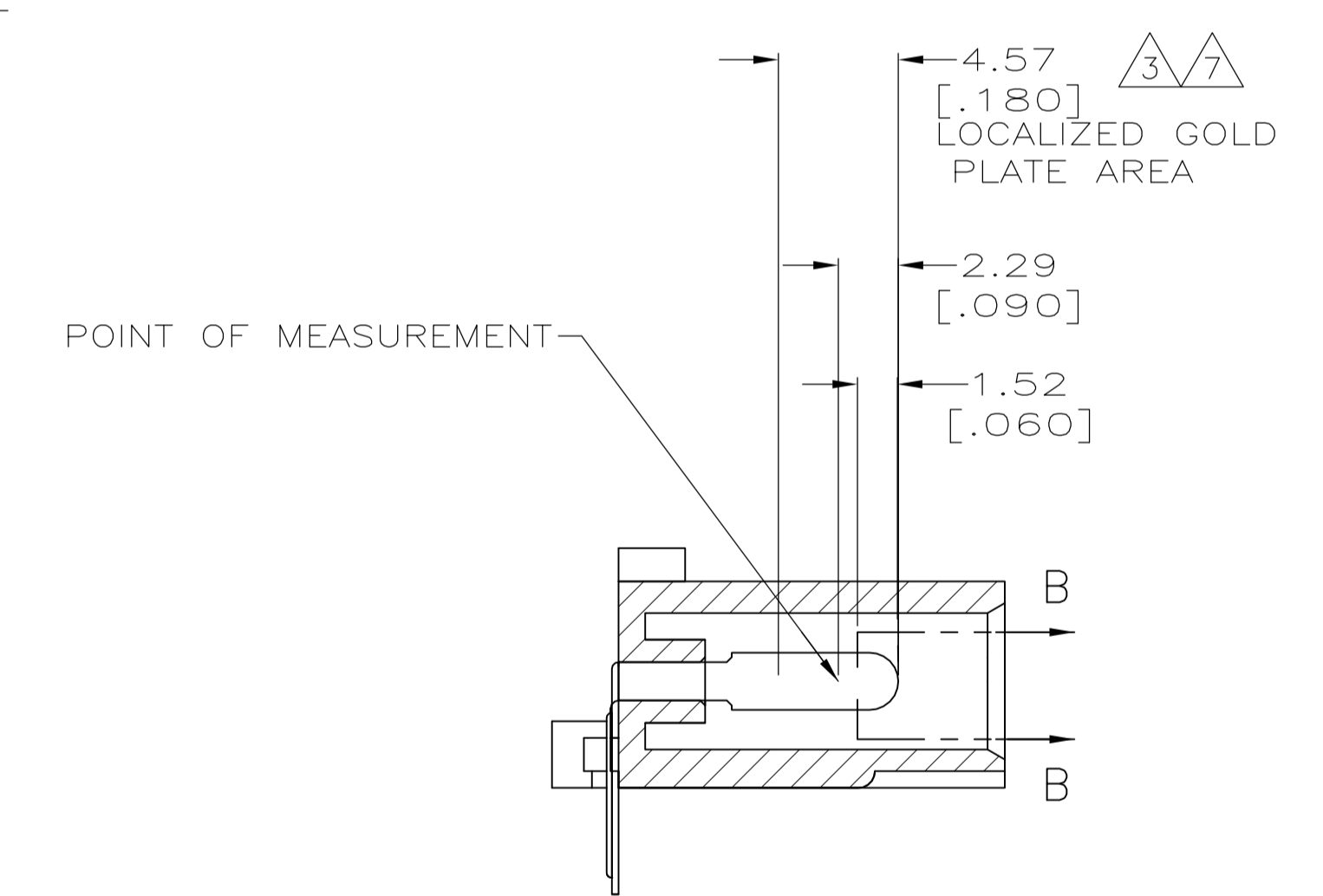
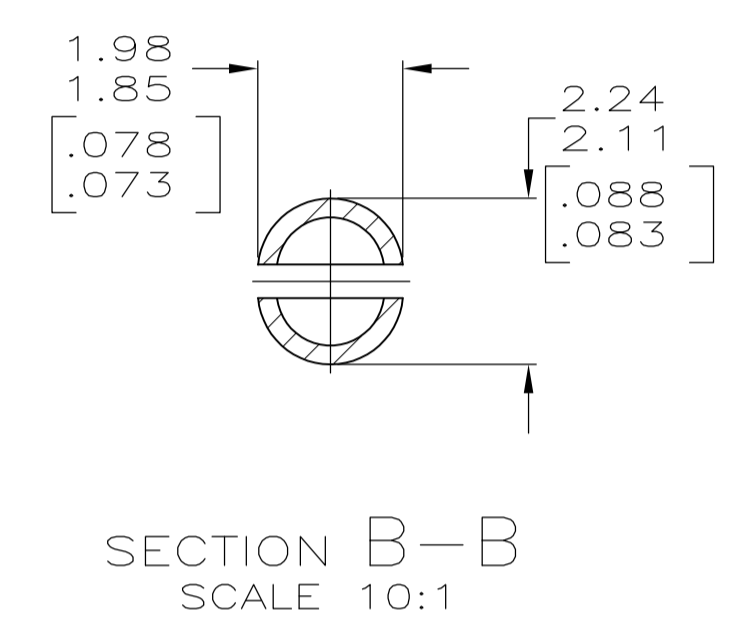
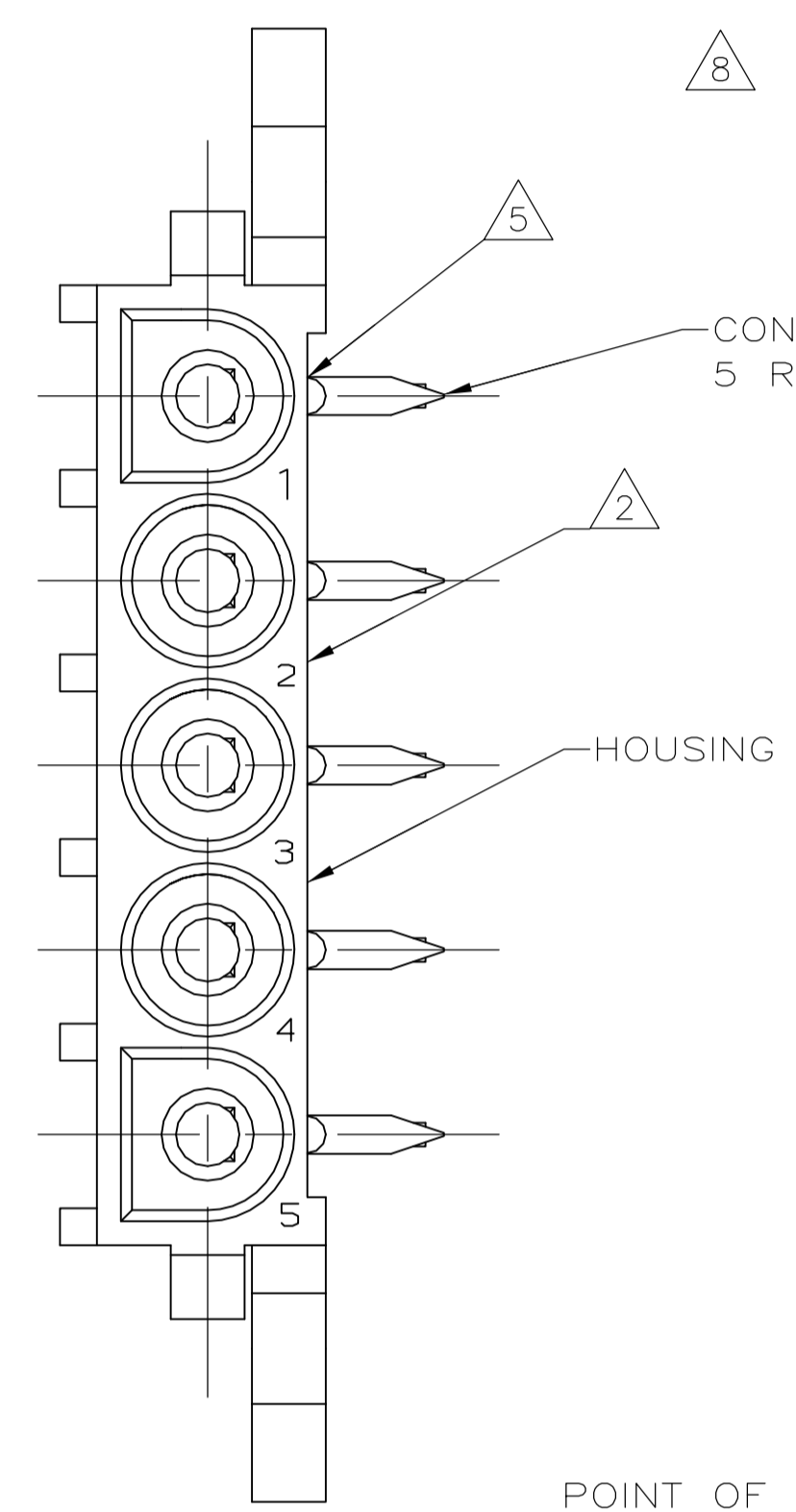
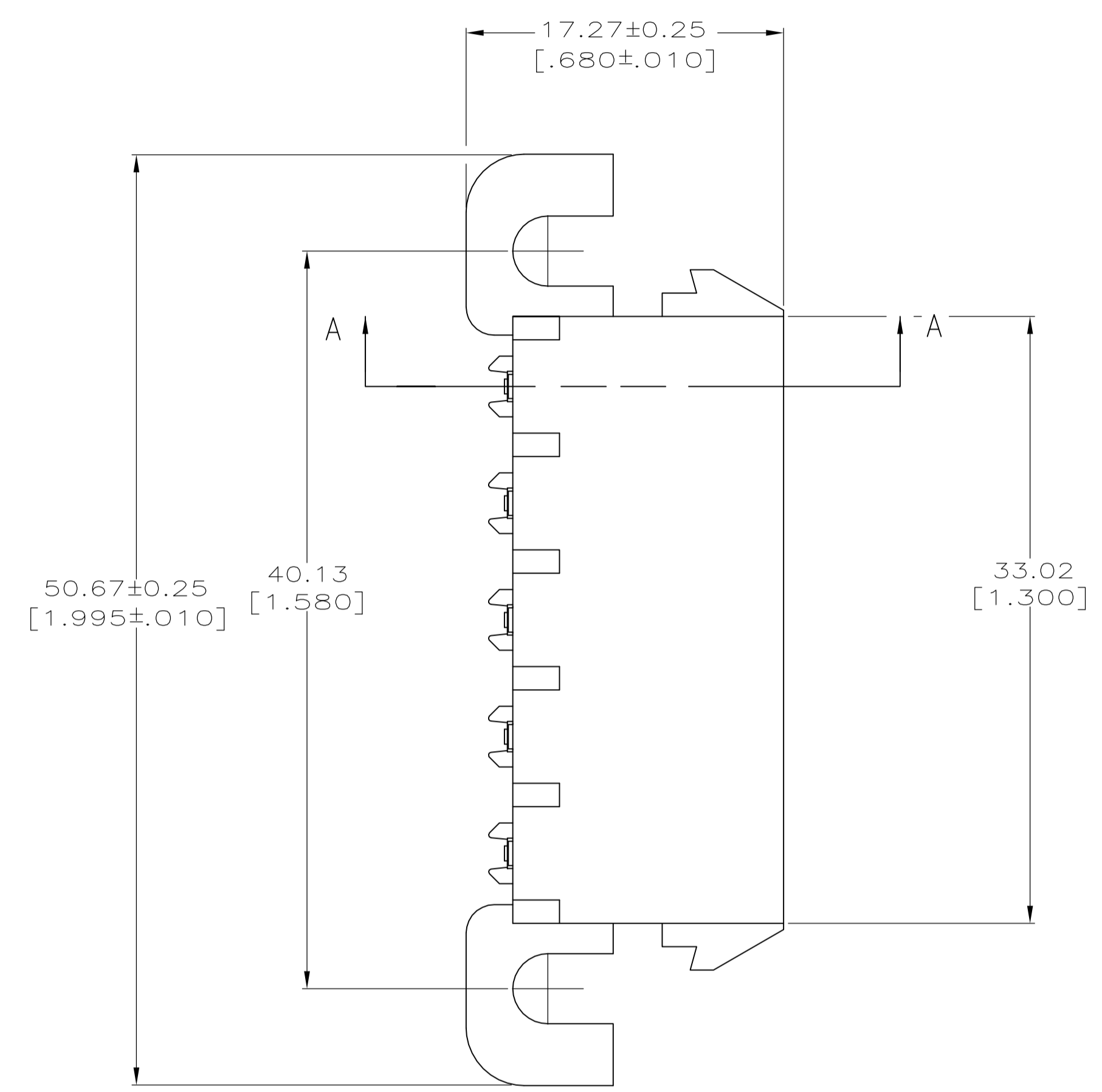
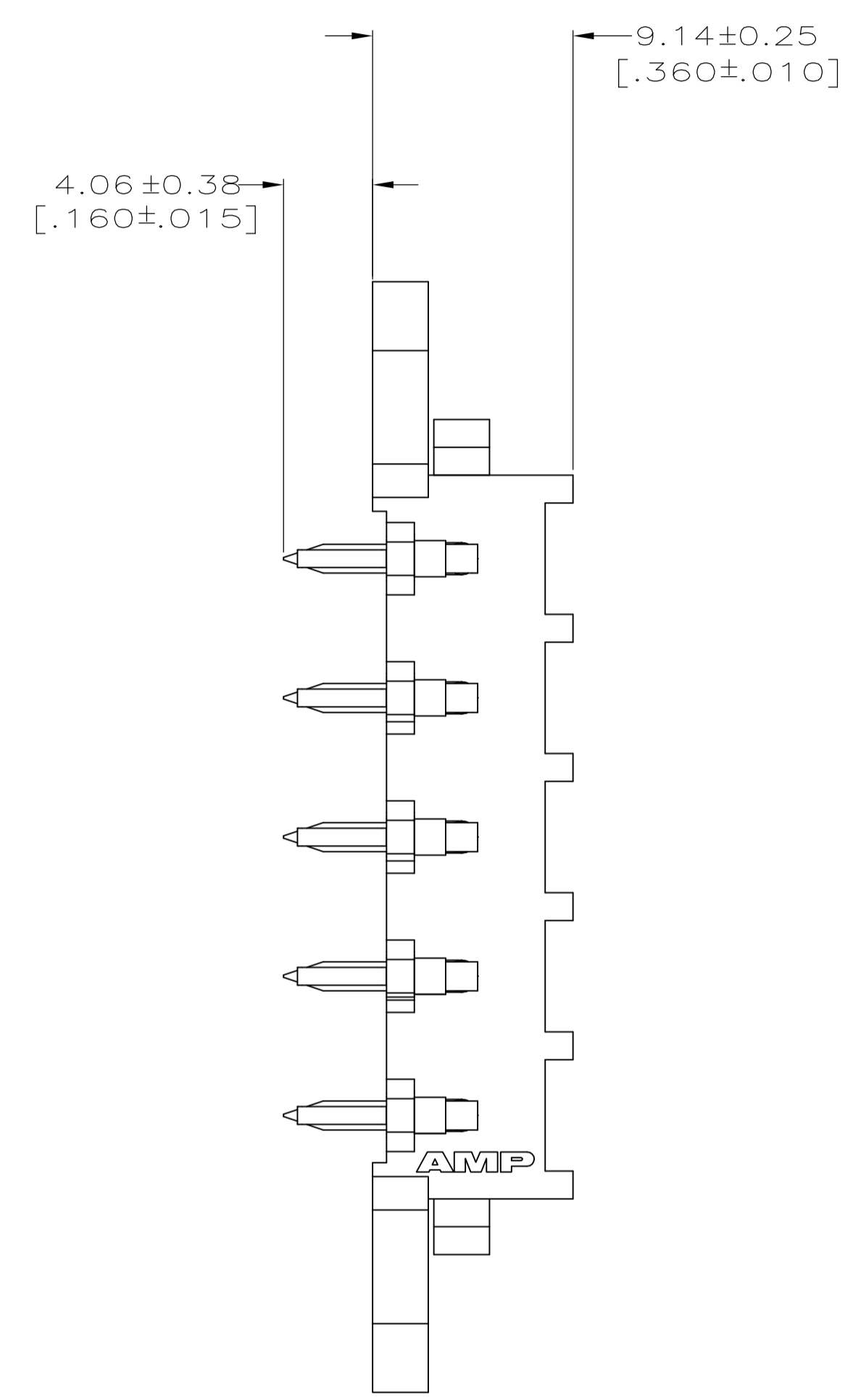
- [Email or Chat With Us](#)
- [Find a Phone Number](#)
- [Knowledge Base](#)
- [Manage Your Account](#)

Keep Me Informed

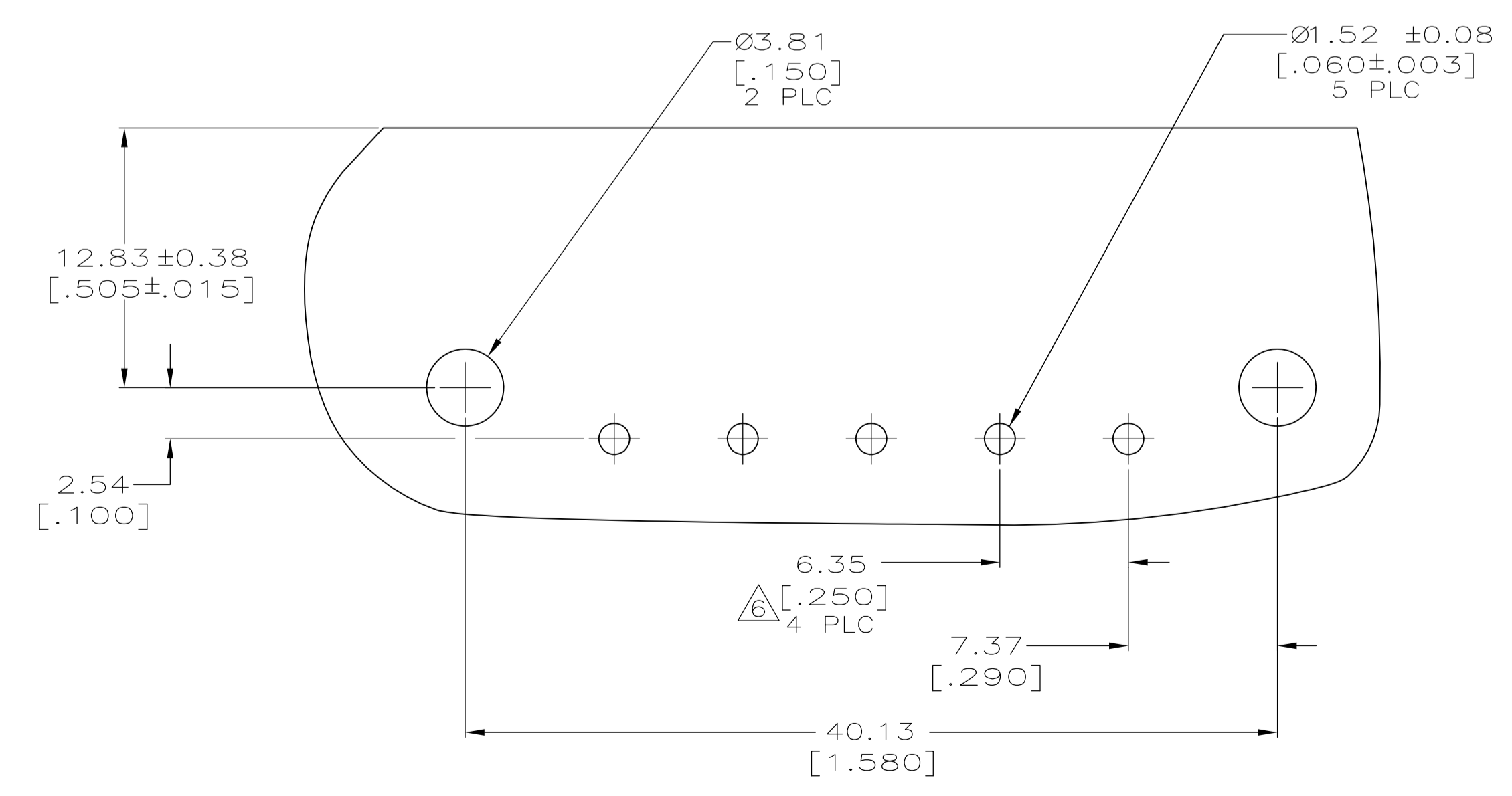


LOC		DIST		REVISIONS			
CM	00	REV	DATE	BY	CHK	APPV	
L2	REVISED PER ECR-12-011660		30JAN13	KH	TM		

- 1 PARTS COMPLY WITH AMP SOLDERABILITY SPECIFICATION 109-11-5.
- 2 CIRCUIT IDENTIFICATION CHARACTERS ARE ADJACENT TO THE INDICATED CAVITIES, BUT LOCATION AND ORIENTATION MAY DIFFER FROM PRINT.
- 3 CONTACT IS PLATED OVERALL WITH 0.00127 [.000050] MIN NICKEL, THEN 0.00076 [.000030] GOLD OVER CONTACT LENGTH INDICATED AND MATTE TIN LEAD FINISH ON SOLDER TAIL END.
- 4 DIMENSIONS IN BRACKETS ARE IN INCHES.
- 5 OPTIONAL CONSTRUCTION MAY DELETE THIS RIB.
- 6 TOLERANCE NON-CUMULATIVE
- 7 CONTACT IS PLATED OVERALL WITH 0.00127 [.000050] MIN NICKEL, THEN 0.00076 [.000030] GOLD OVER CONTACT LENGTH INDICATED AND MATTE TIN FINISH ON SOLDER TAIL END.
- 8 SUPERSEDED BY 3-350945-0



3-DIMENSIONAL MODEL NTS



RECOMMENDED MOUNTING HOLE PATTERN FOR .062 [1.57] THICK P.C. BOARD

MATERIAL	CONTACT	HOUSING	PART NO
PH BRZ GOLD 7	NYLON, UL94V-0		3-350945-0
PH BRZ GOLD 3	NYLON, UL94V-0		2-350945-0
PH BRZ TIN	NYLON, UL94V-0		1-350945-0

THIS DRAWING IS A CONTROLLED DOCUMENT.		DIN K. WHITAKER 21APR2005		TE Connectivity	
DIMENSIONS: mm [INCHES]		CHK S. RIDGILL 21APR2005		NAME	
TOLERANCES UNLESS OTHERWISE SPECIFIED:		APPV S. RIDGILL 21APR2005		PRODUCT SPEC	
0 PLC ± -	1 PLC ± -	APPLICATION SPEC			
2 PLC ± -	3 PLC ± 0.13[.005]	SIZE			
4 PLC ± -	ANGLES ± ± 0.30'	CAGE CODE DRAWING NO			
MATERIAL SEE TABLE	FINISH SEE TABLE	WEIGHT		RESTRICTED TO	
		A1 00779 350945		SCALE 4:1 SHEET 1 of 1 REV L2	
		CUSTOMER DRAWING			