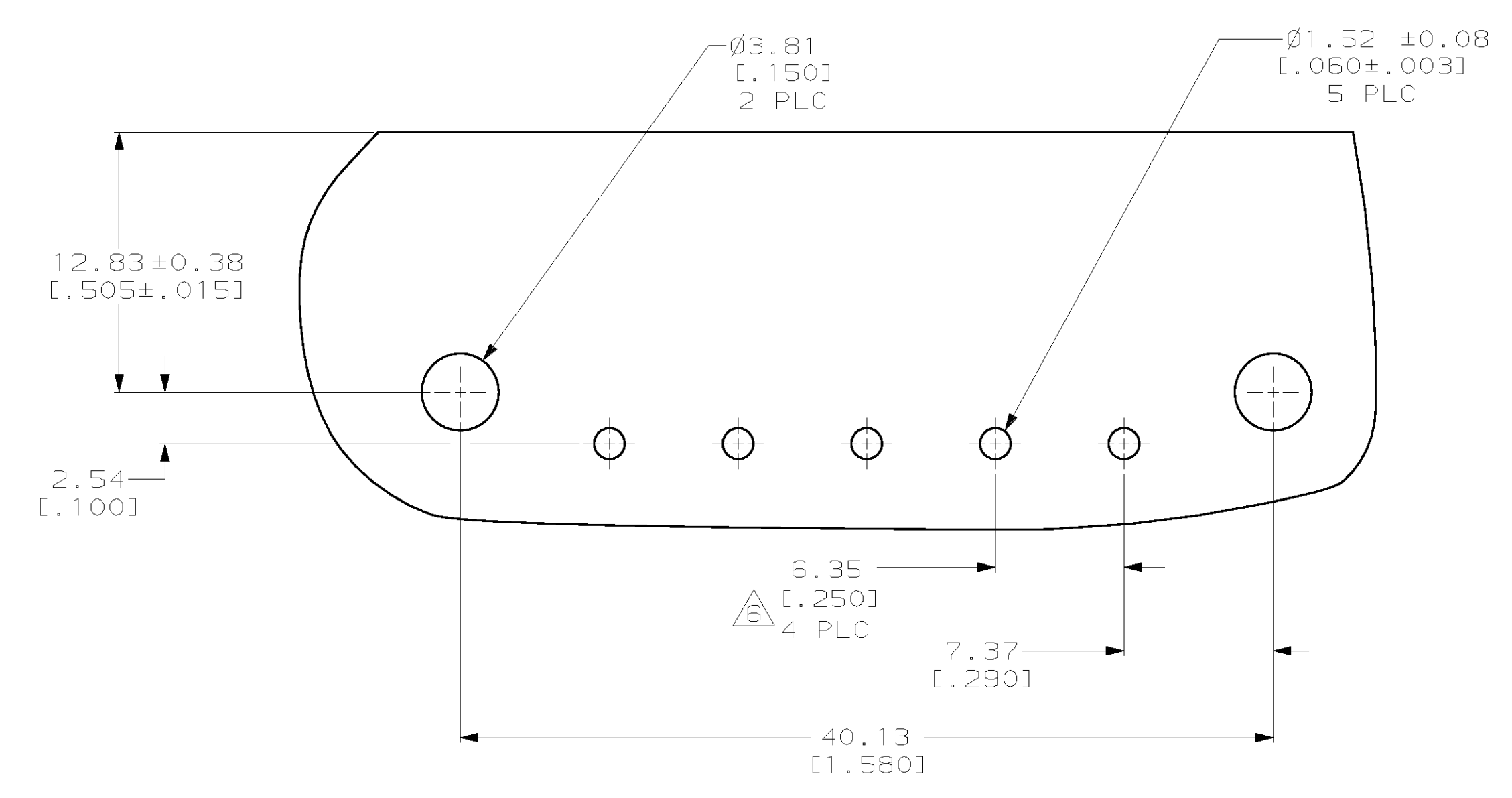
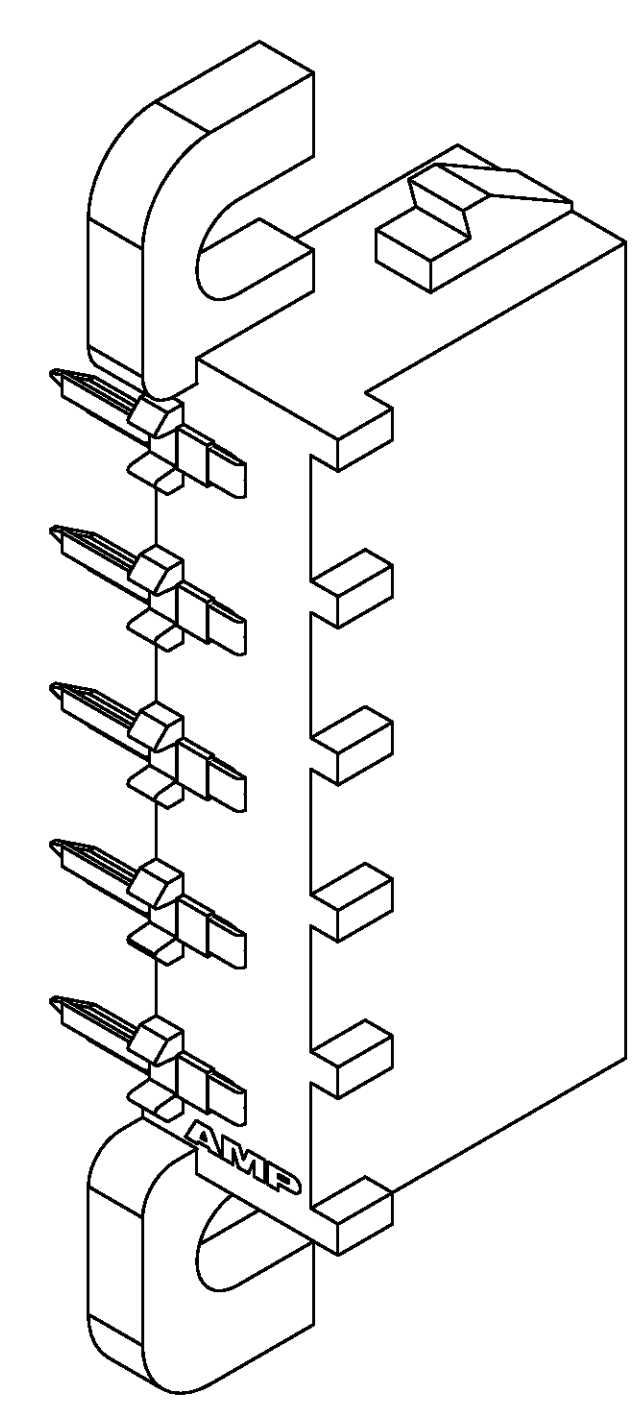
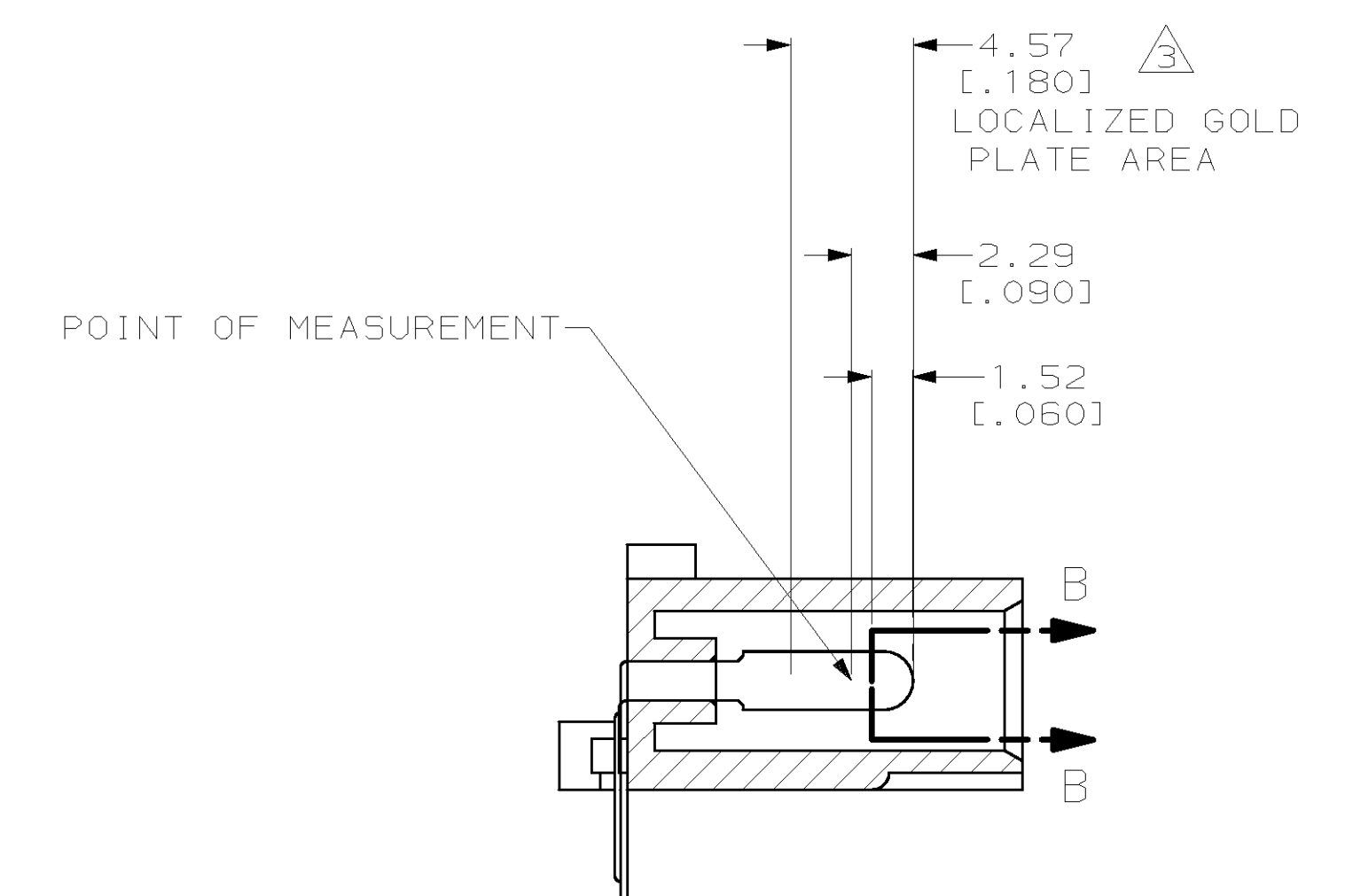
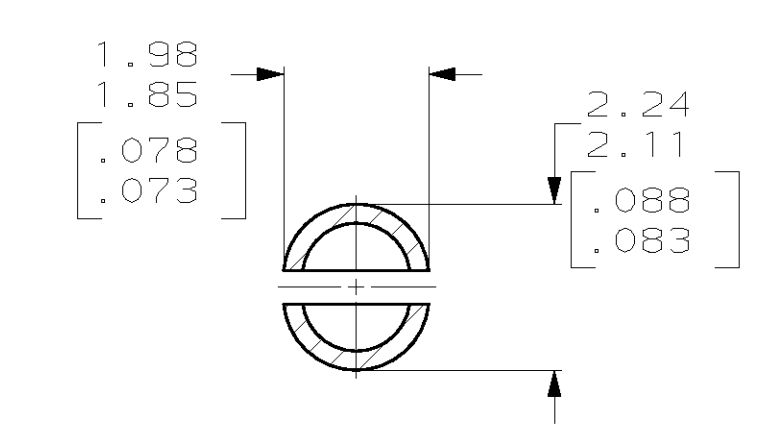
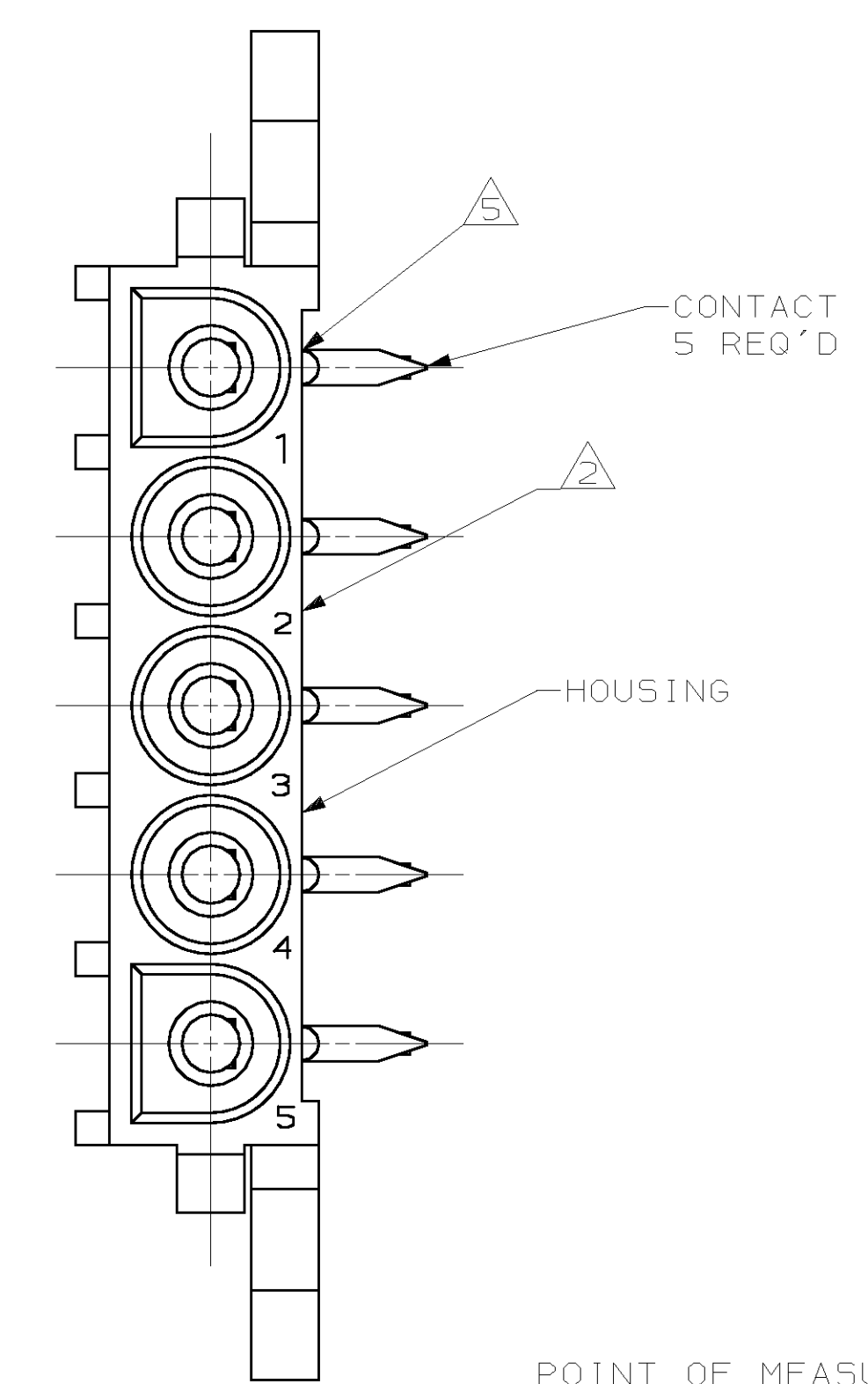
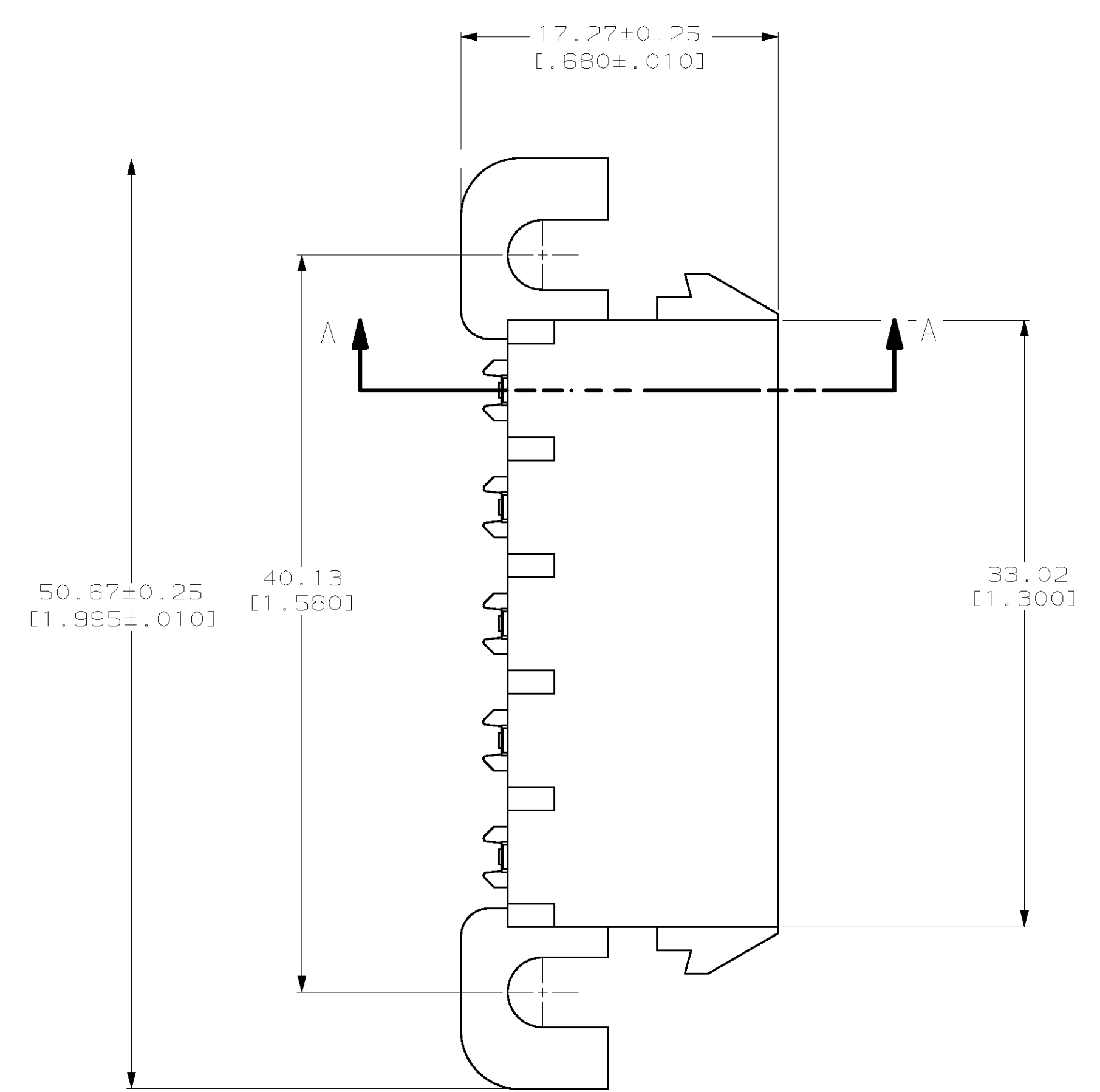
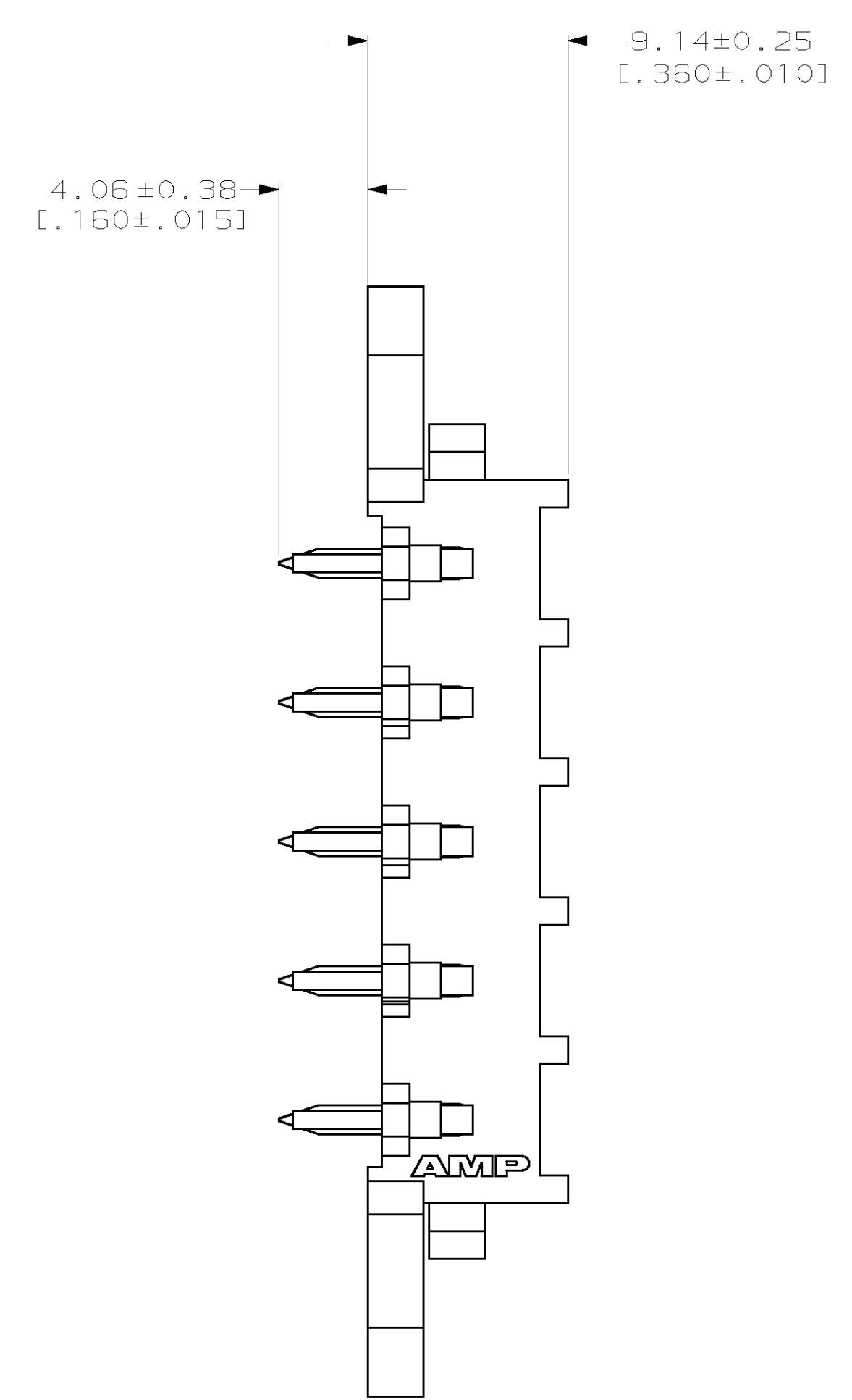


LOC		QTY		REVISIONS		
CM	53	TR	LYR	DESCRIPTION	DATE	OWN
		K		REV & REDWN PER EC 0618-0126-98	5-04-98	BL

- PARTS COMPLY WITH AMP SOLDERABILITY SPECIFICATION 109-11-5.
- CIRCUIT IDENTIFICATION CHARACTERS ARE ADJACENT TO THE INDICATED CAVITIES, BUT LOCATION AND ORIENTATION MAY DIFFER FROM PRINT.
- CONTACT IS PLATED OVERALL WITH 0.00127 [0.00050] MIN NICKEL, THEN 0.00076 [0.00030] GOLD OVER CONTACT LENGTH INDICATED AND MATTE TIN FINISH ON SOLDER TAIL END.
- DIMENSIONS IN BRACKETS ARE IN INCHES.
- OPTIONAL CONSTRUCTION MAY DELETE THIS RIB.
- TOLERANCE NON-CUMULATIVE



PH BRZ GOLD	NYLON, UL94V-0	2-350945-0
PH BRZ TIN	NYLON, UL94V-0	1-350945-0
CONTACT	HOUSING	PART NO

THIS DRAWING IS A CONTROLLED DOCUMENT.	OWN: B. LEWIS 5-04-98	AMP AMP Incorporated Harrisburg, PA 17105-3608
DIMENSIONS IN INCHES	CHK: R. SWING 5-04-98	
TOLERANCES UNLESS OTHERWISE SPECIFIED:	APVD: C. CORLE 5-04-98	
0 PLC ± 1 PLC ± 2 PLC ± 3 PLC ±0.13(0.005) 4 PLC ± 5 PLC ±	NAME: PIN HEADER ASSEMBLY, RIGHT ANGLE MOUNT, 5 POSITION, UNIVERSAL MATE-N-LOK™ PRODUCT SPEC: - APPLICATION SPEC: - HEIGHT: -	
MATERIAL: SEE TABLE	FINISH: SEE TABLE	SIZE: A1 00779 SCALE CODE: C DRAWING NO: 350945 CUSTOMER DRAWING

