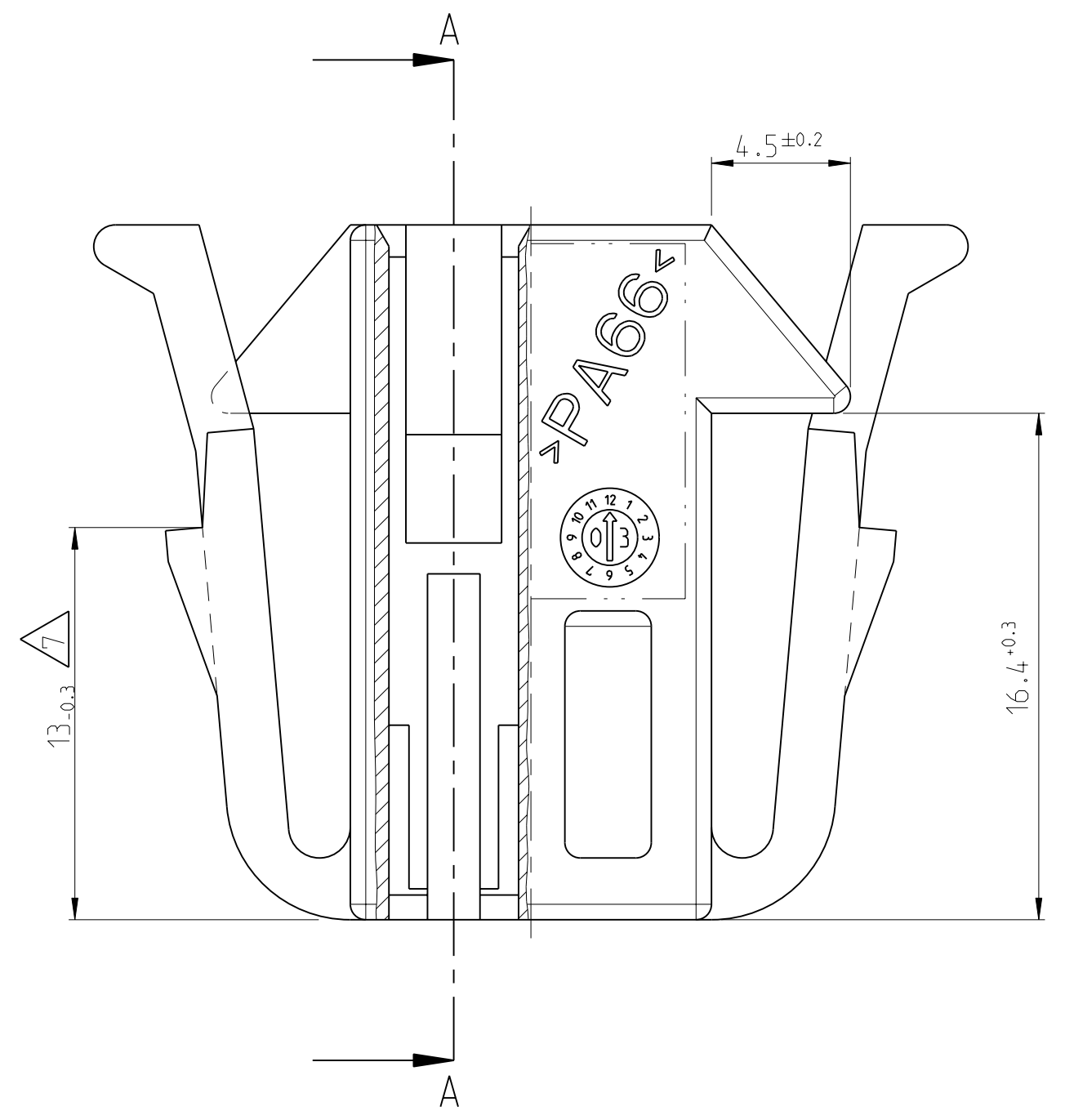
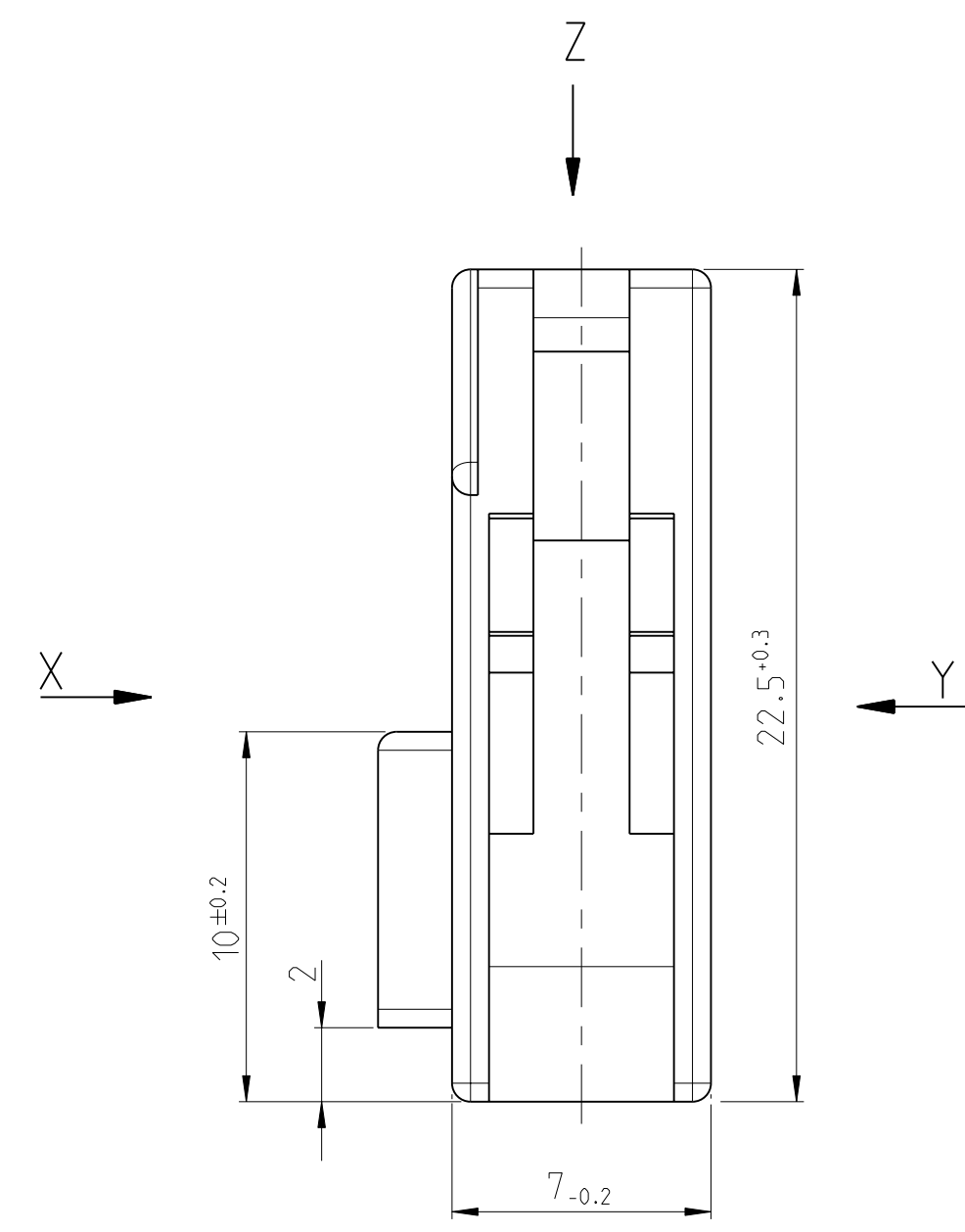
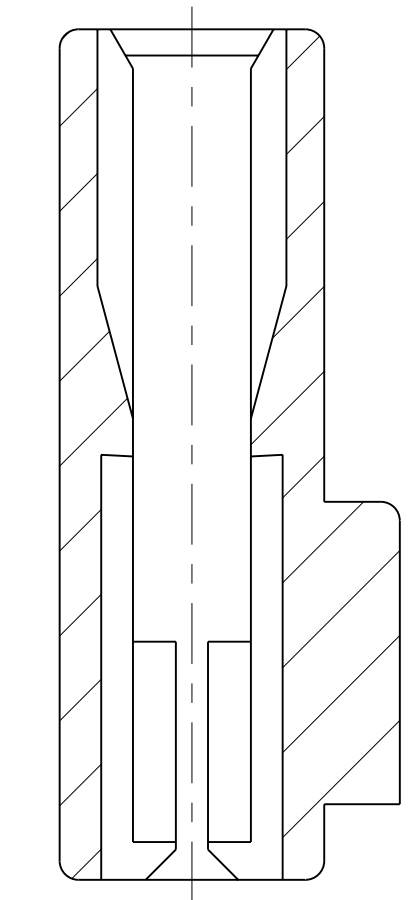


LOC	DIST	REVISIONS			
P	LTB	DESCRIPTION	DATE	DWN	APVD
A2		DRAWING REWORKED	02MAR2000		
A3		NOTE 6 1355047 WAS 116-1814	07SEP2000		
A4		NEW DASH NO 1355390-6 ADDED	09JUL2003		
A5		ECR-11-001151, DRAWING REWORKED	17JAN2011	GS	FT



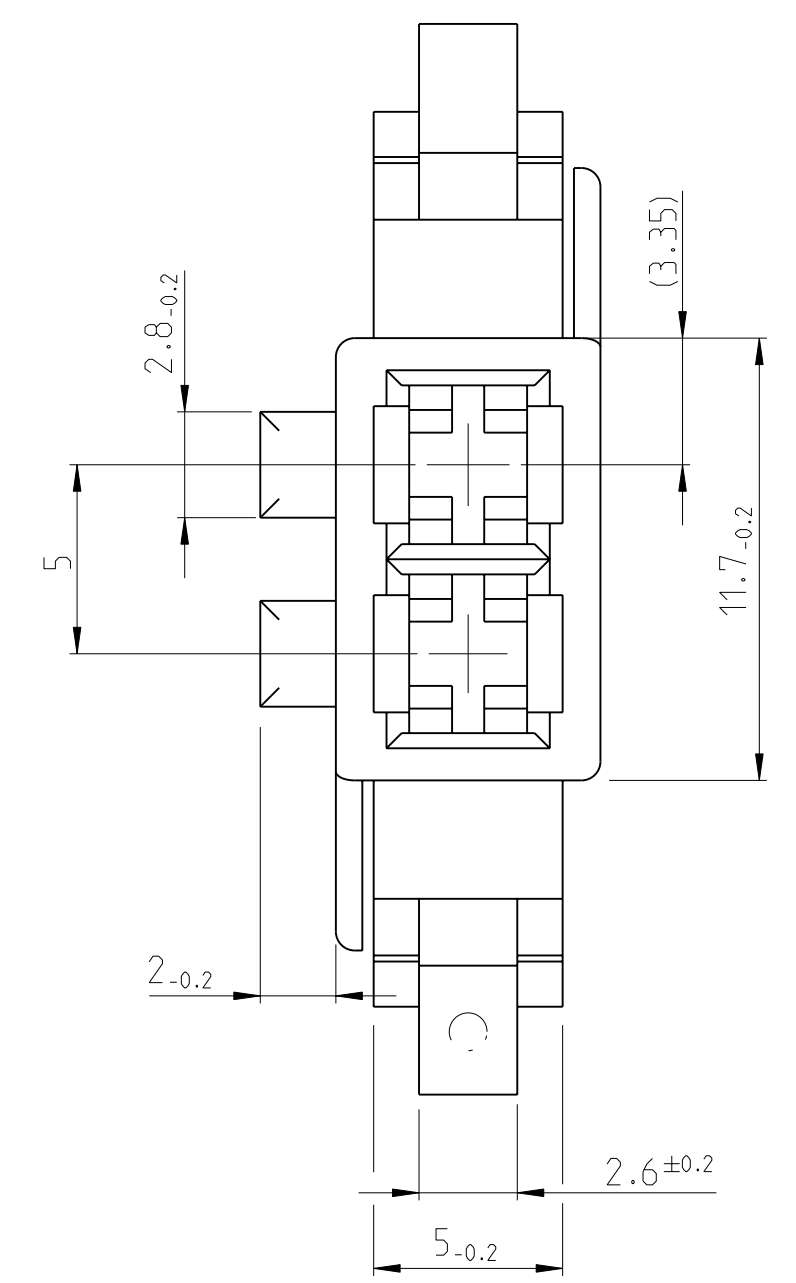
SECTION A-A  
Schnitt



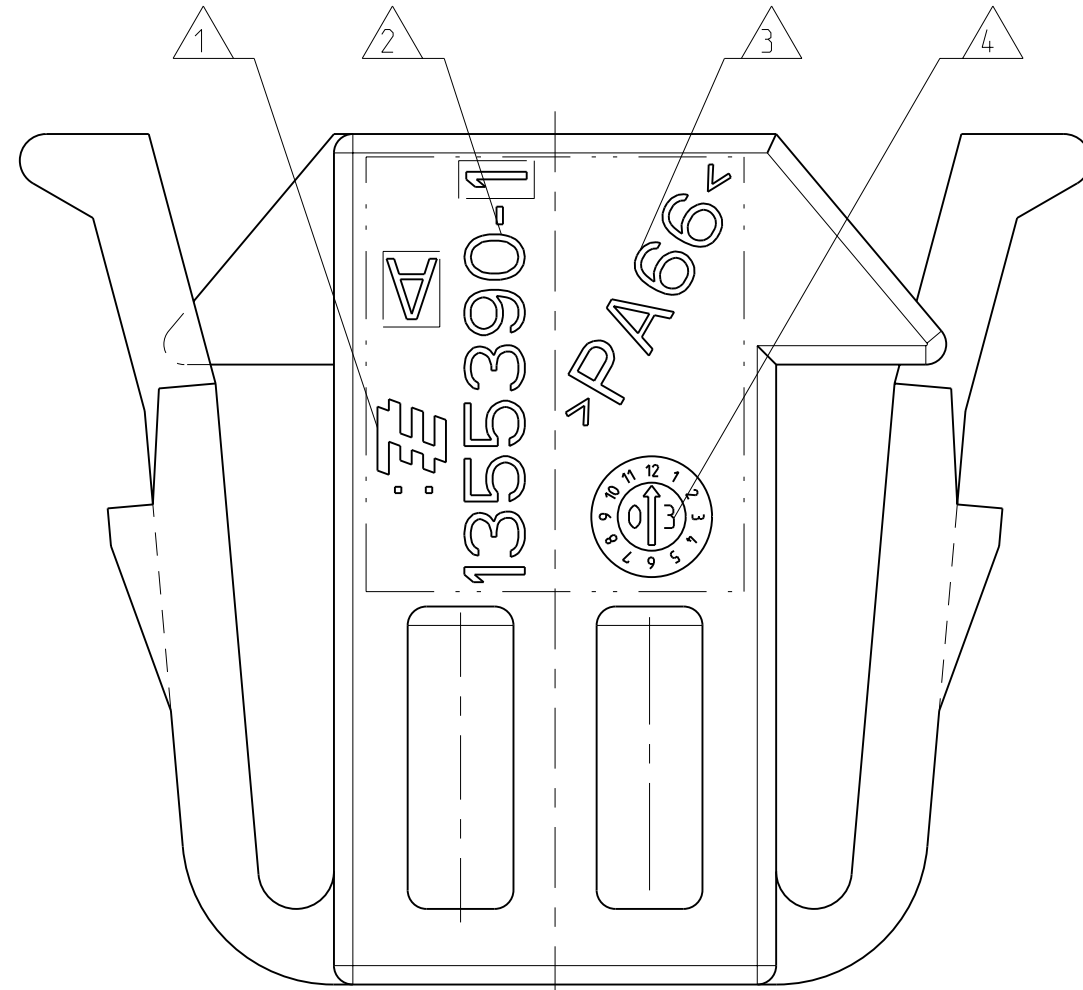
- NOTES
- 1 TE-LOGO
  - 2 TE ORDER-NO.
  - 3 MATERIAL ACC. VDA 260
  - 4 DATE OF PROCESS
  - 5 CAVITY MARKING
  - 6 USED WITH CONTACTS ACC. TO TE-PRODUCT-GROUP-DRAWING 1355047
  - 7 DIMENSION MEASURED IN 0° POSITION OF LOCKING LATCH
  - 8 COUNTER-PART 1718050-1

- BEMERKUNGEN
- 1 TE-LOGO
  - 2 BESTELLNUMMER
  - 3 MATERIALKENNZEICHNUNG NACH VDA 260
  - 4 HERSTELLDATUM
  - 5 KAMMER-NUMMIERIERUNG
  - 6 VERWENDET MIT KONTAKTEN NACH TE TABELLENZEICHNUNG 1355047
  - 7 MASSE SIND ZU MESSEN BEI 0° RASTARMSTELLUNG
  - 8 GEGENSTECKER PN 1718050-1

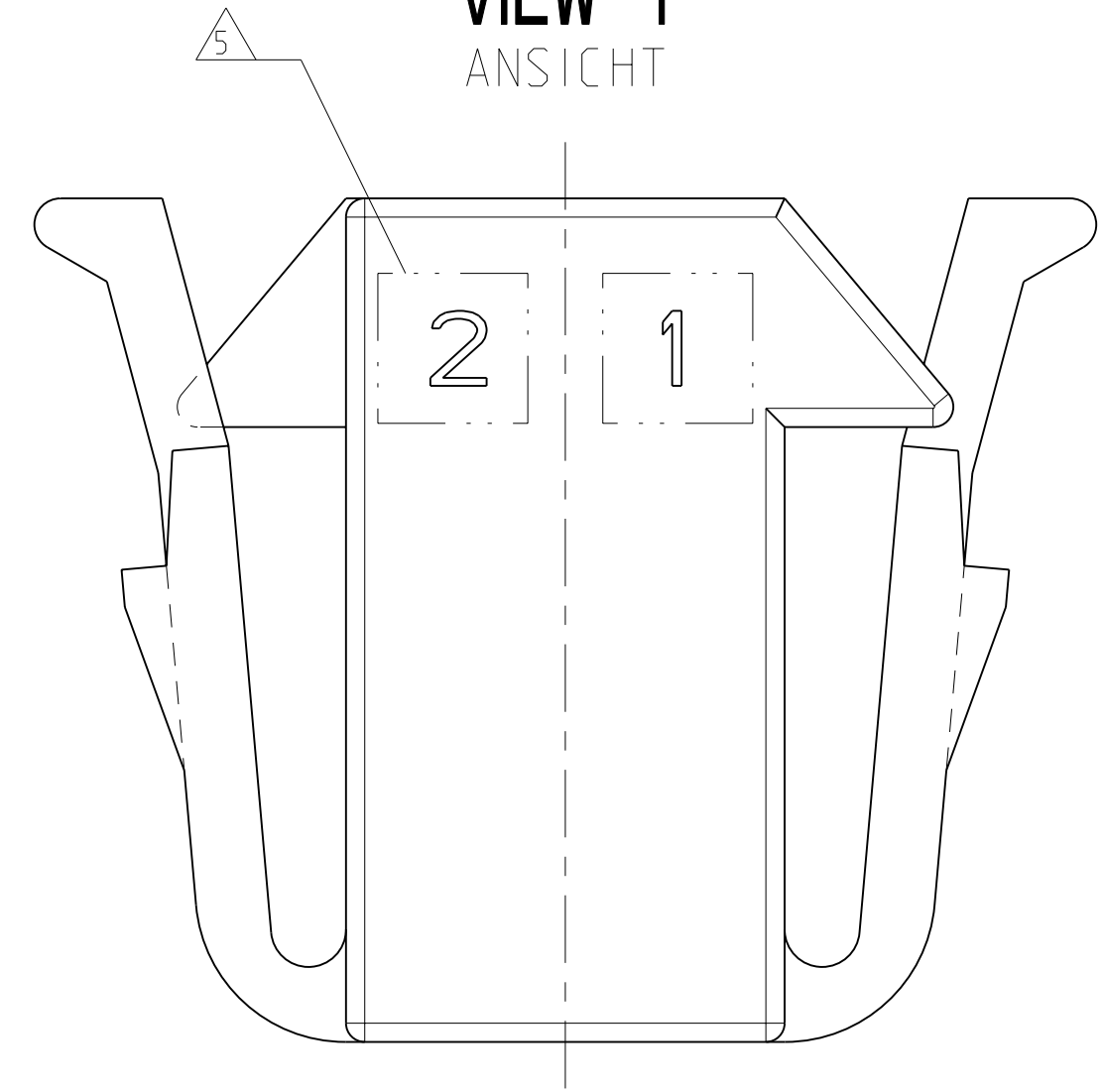
VIEW Z  
ANSICHT



VIEW X  
ANSICHT



VIEW Y  
ANSICHT



CONTACTS Kontakte	TE ORDER NO. (STRIP) TE Best.-Nr. (Band)	TE ORDER NO. (LP) TE Best.-Nr. (Einzel)	WIRE RANGE Drahtbereich	MATERIAL	FINISH Ausfuehrung	APPLICATION TOOLING Verarbeitungswerkzeuge
6	965999-2	964346-2	>1.0-2.5mm <sup>2</sup>	CuSn4	PRE TIN PLATED Vorverzinkt	HAND TOOL 539635-1 (Handzange)
	964284-2	964283-2	0.5-1.0mm <sup>2</sup>	CuSn4	PRE TIN PLATED Vorverzinkt	DIE SET 539664-2 (Matrizensatz)
	964280-2	964279-2	0.2-0.5mm <sup>2</sup>	CuSn4	PRE TIN PLATED Vorverzinkt	Kontakt Entriege- lungs Werkzeug 968107-1

CUSTOMER PART NO.	TE PART NO.	REV.	PCS.	MATERIAL	SURFACE/ COLOR	DESCRIPTION	ITEM NO.
-	-	-	-	-	-	-	-
-	1355390-6	A	-	PA 66	WHITE/weiss	HOUSING, 2POSN/Gehaeuse, 2pol	-
-	1355390-1	A	-	PA 66	BLACK/Schwarz	HOUSING, 2POSN/Gehaeuse, 2pol	-

DIMENSIONS:		TOLERANCES UNLESS OTHERWISE SPECIFIED:	
mm	Symbol	PLC	mm
0	∅	1	±0.15
1	∅	2	±0.15
2	∅	3	±
3	∅	4	±
4	∅	5	±
5	∅	6	±
6	∅	7	±
7	∅	8	±
8	∅	9	±
9	∅	10	±

TE ORDER NO. (STRIP)	TE ORDER NO. (LP)	WIRE RANGE	MATERIAL	FINISH	WEIGHT
1355390-6	1355390-1	>1.0-2.5mm <sup>2</sup>	PA 66	PRE TIN PLATED	1.7g

# Mouser Electronics

Authorized Distributor

Click to View Pricing, Inventory, Delivery & Lifecycle Information:

[TE Connectivity:](#)

[1355390-1](#)