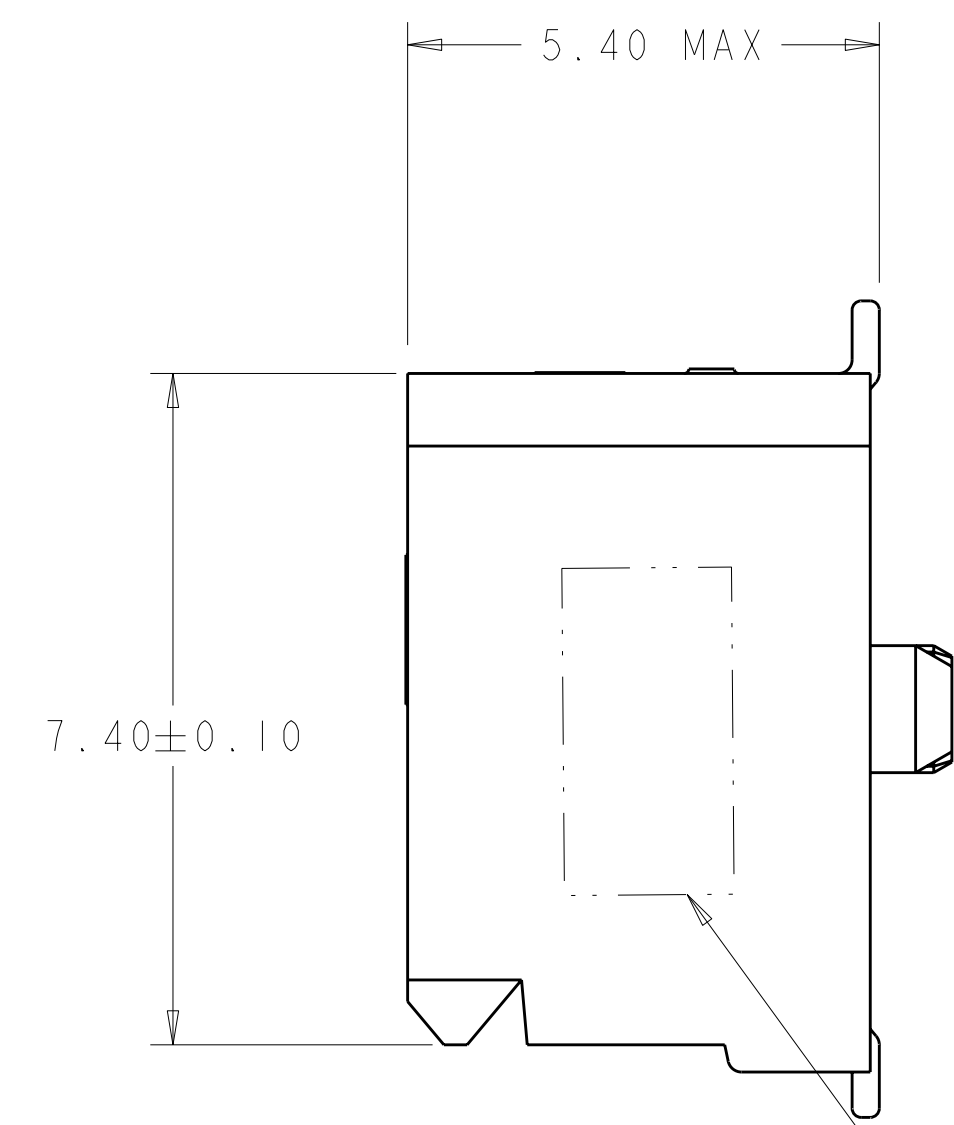
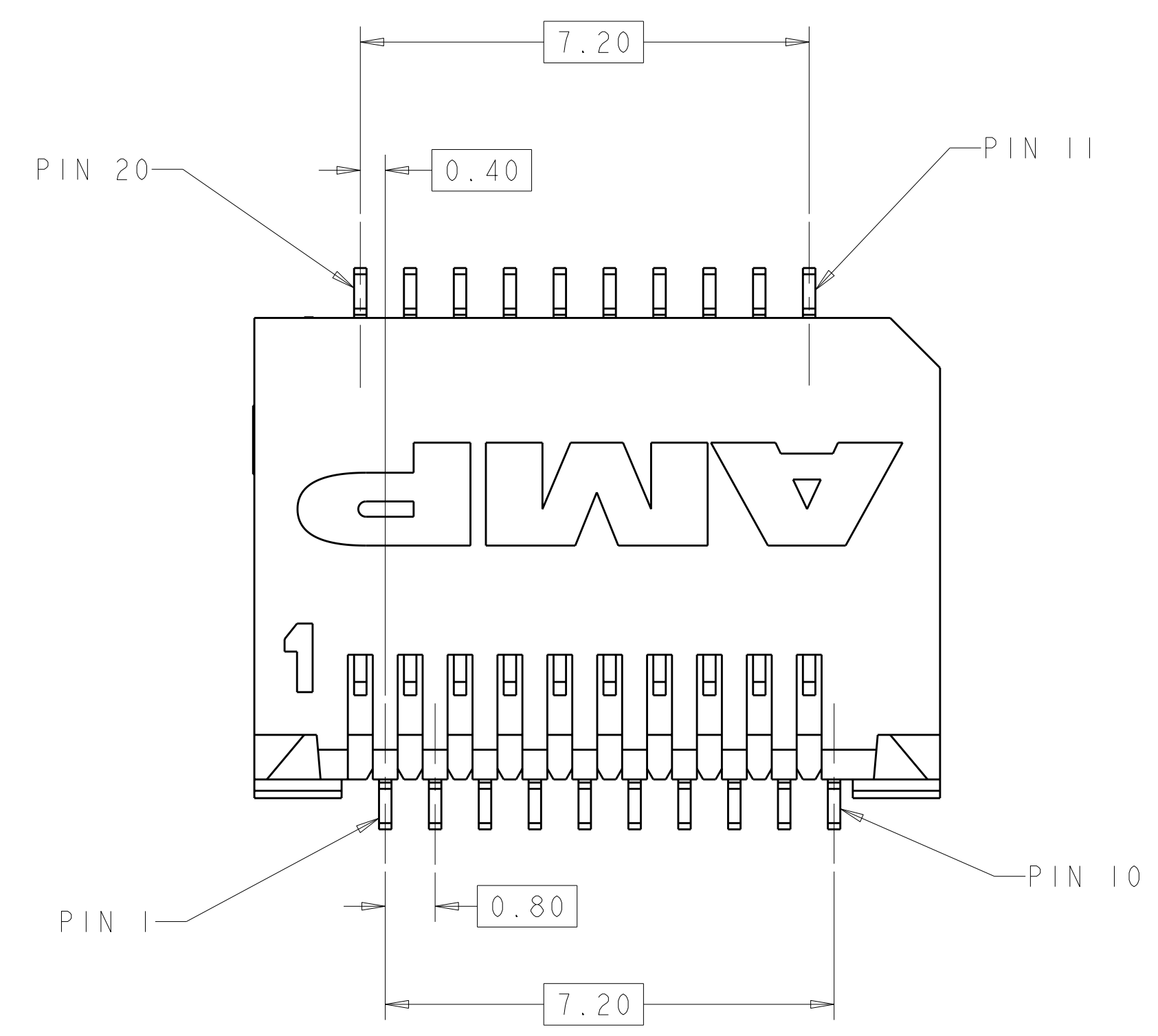
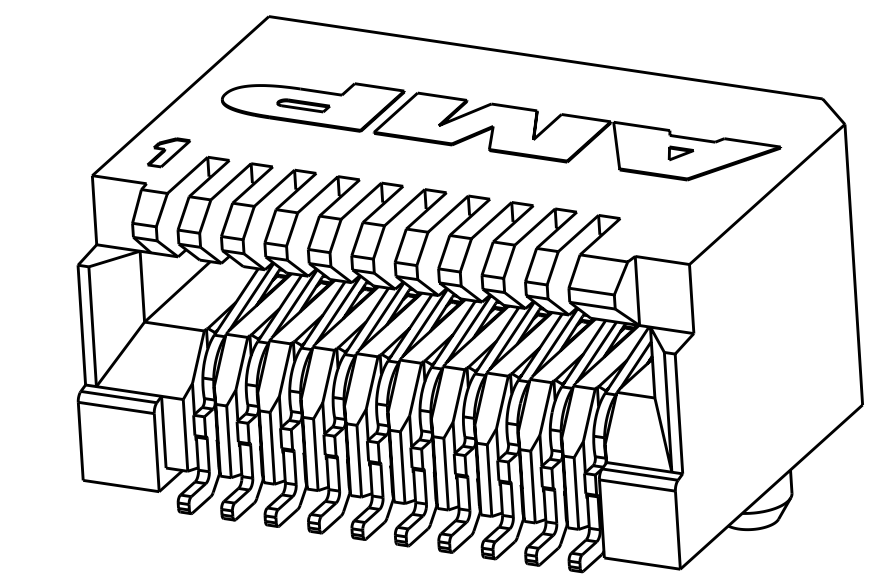


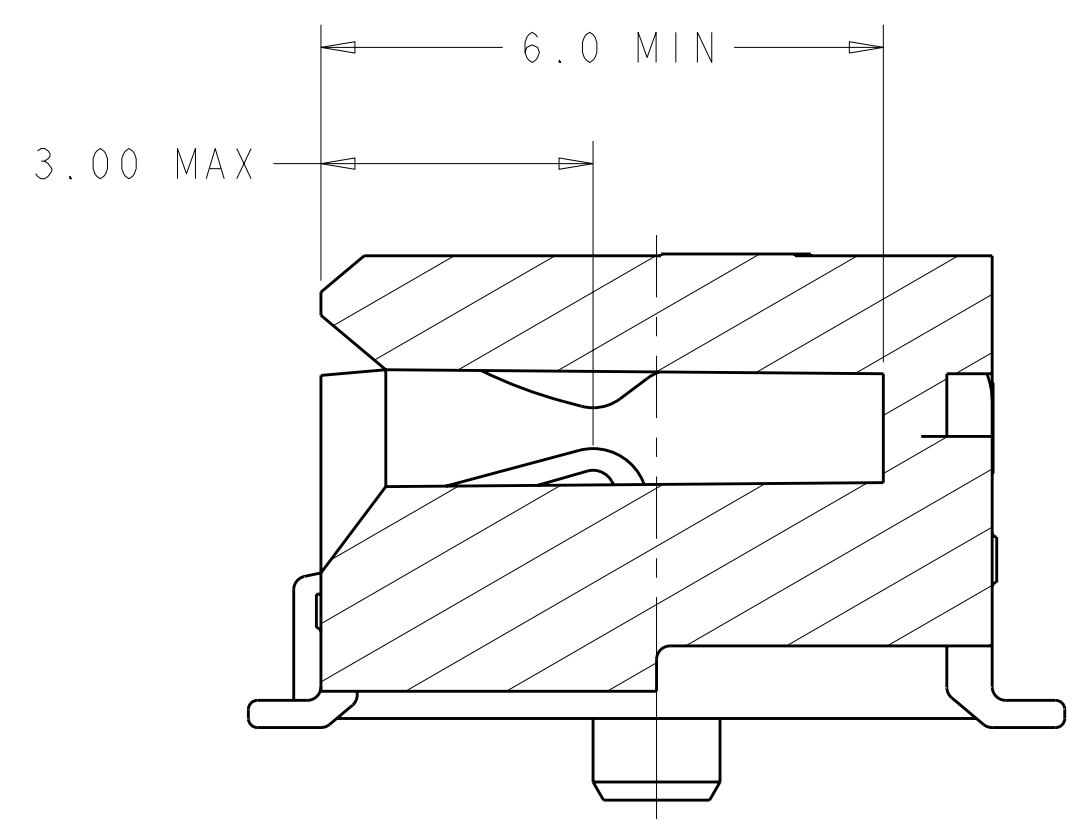
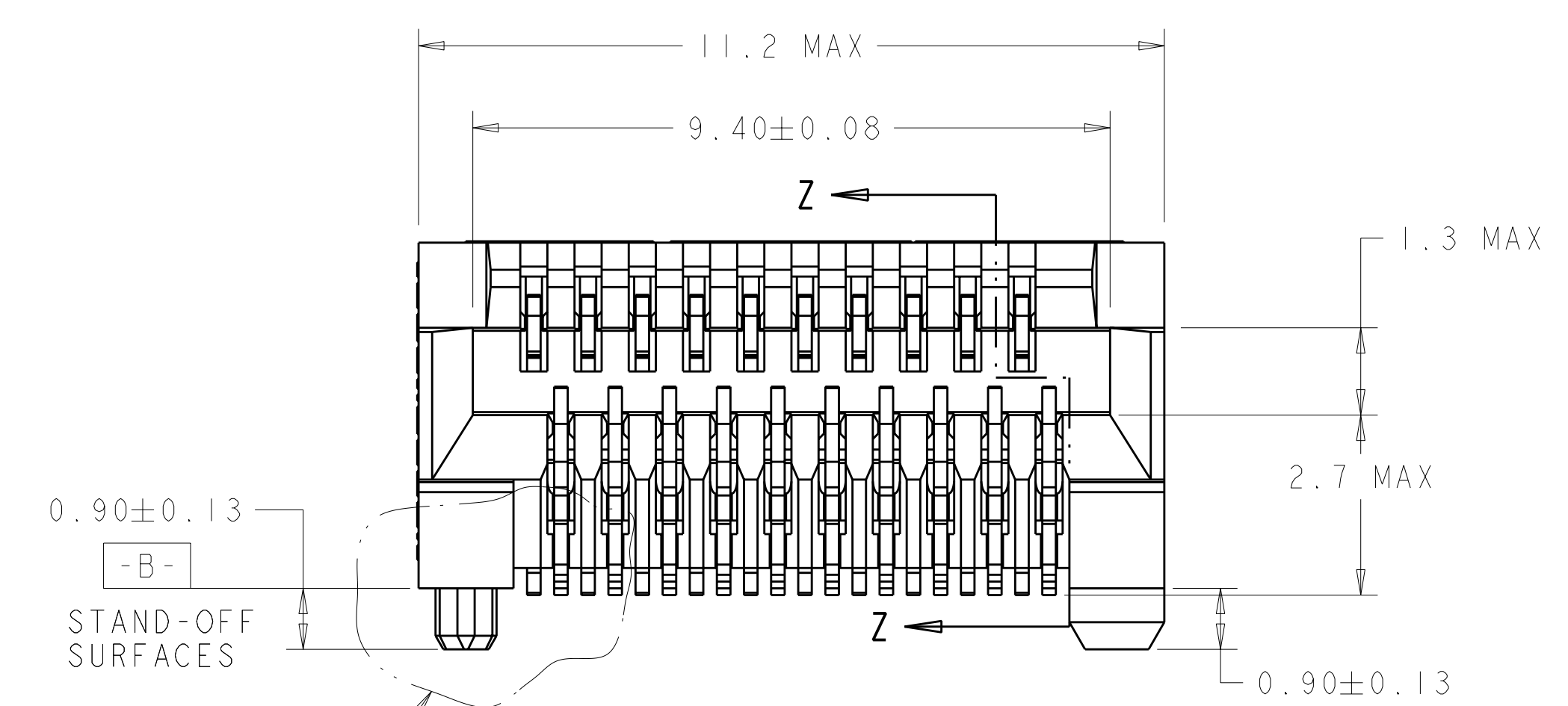
LOC	DIST	REV	DATE	BY	CHKD	APVD
ES	00	J1	09MAY2011	RK	HMR	



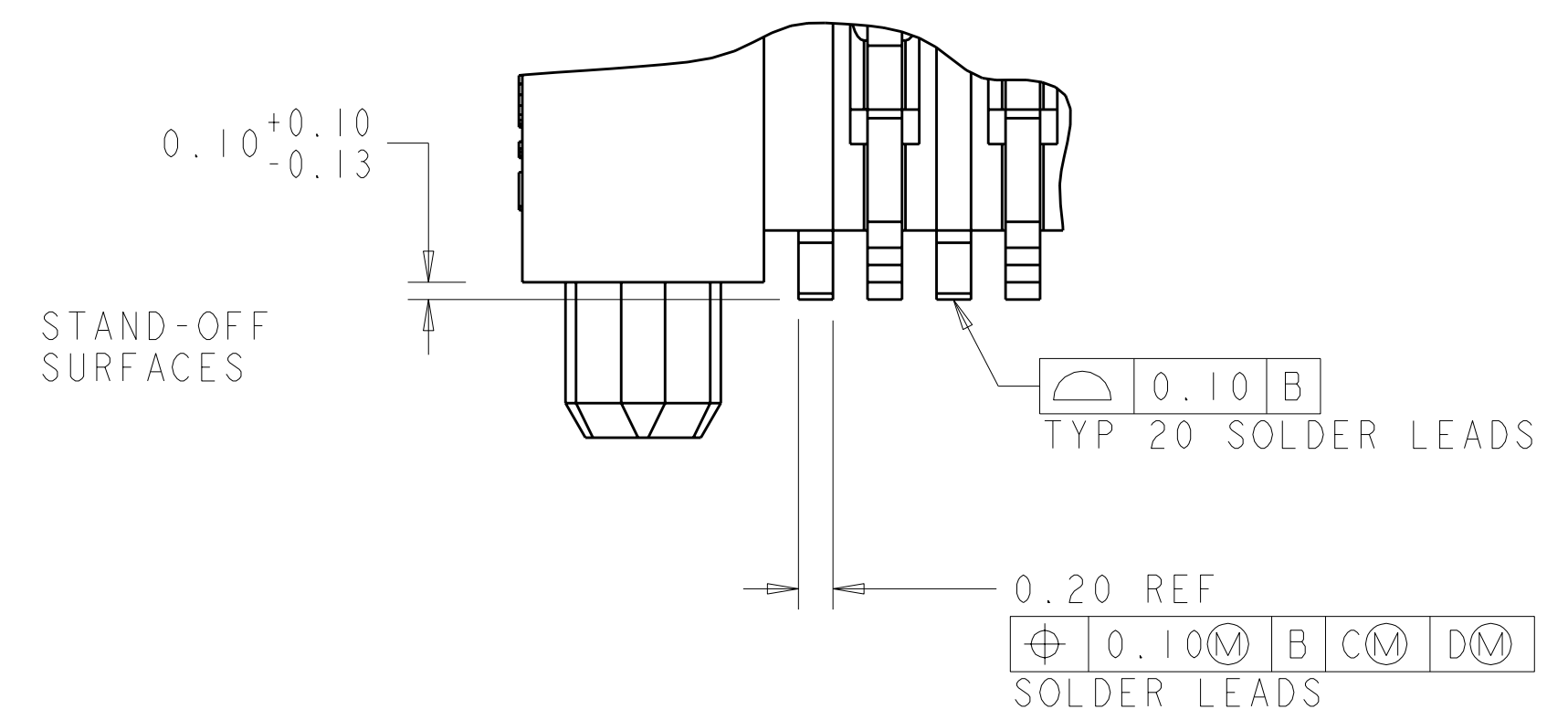
- PART COMPATABLE WITH SFP MSA. REFER TO THE SFP MSA FOR DIMENSIONS NOT SHOWN ON THIS PRINT.
- HOUSING: HIGH TEMPERATURE LCP, UL 94V-0 RATED, BLACK. CONTACT: PHOSPHOR BRONZE.
- CONTACTS: 0.00038 MIN GOLD IN CONTACT AREA, 0.00013 MIN GOLD ON SOLDER AREA, OVER 0.0038 MIN NICKEL UNDERPLATE ON ENTIRE CONTACT.
- PACKAGED 480 PIECES PER REEL.
- DATUMS AND BASIC DIMENSIONS TO BE ESTABLISHED BY CUSTOMER, SEE DRAWING 1367034 FOR LAYOUT WHEN USED WITH 1367034-1 BOTTOM CAGE (STANDARD SFP APPLICATION).
- CONTACTS: 0.00076 MIN GOLD IN CONTACT AREA, 0.00013 MIN GOLD ON SOLDER AREA, OVER 0.0038 MIN NICKEL UNDERPLATE ON ENTIRE CONTACT.



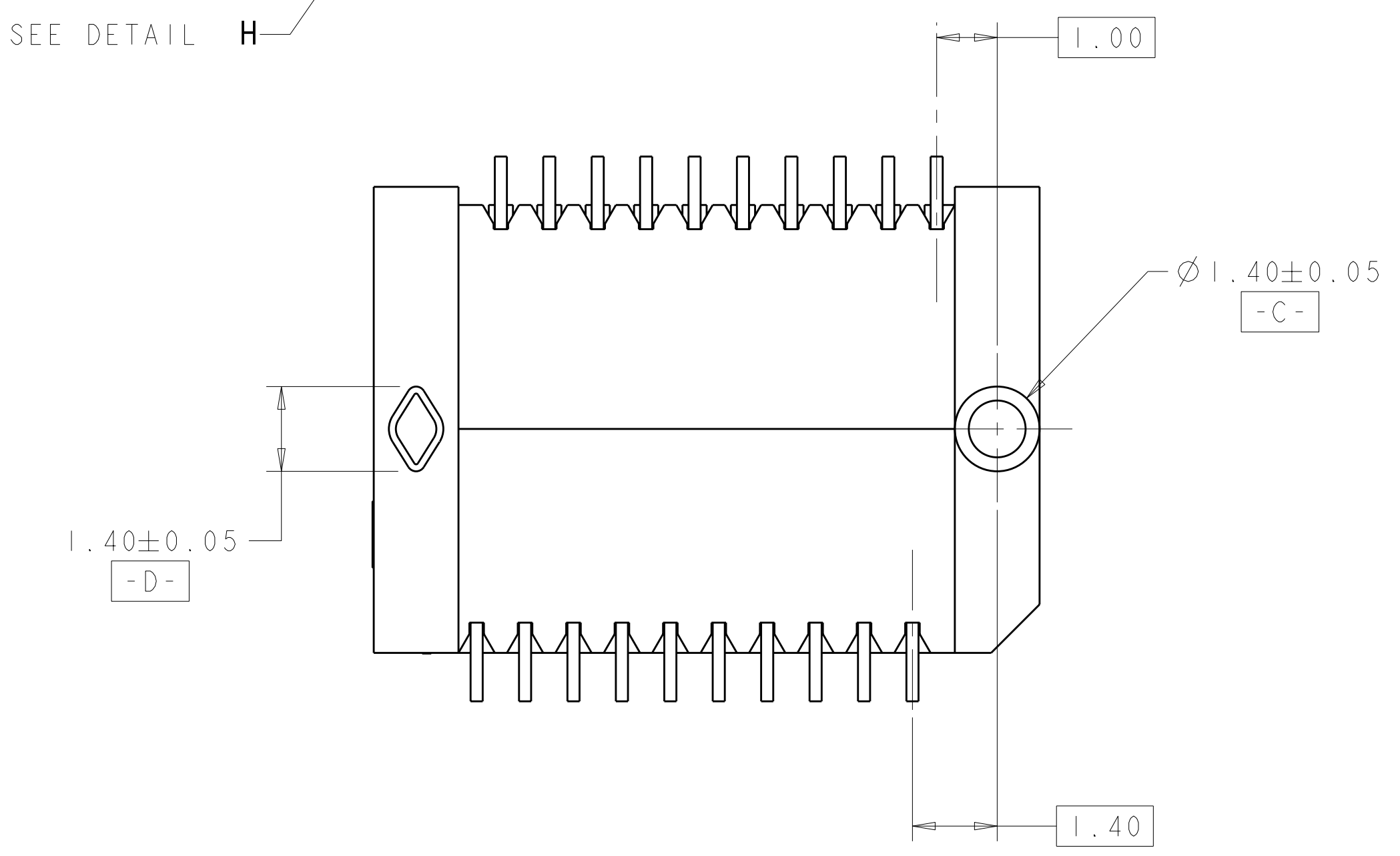
SCALE 8:1



SECTION Z-Z



DETAIL H
SCALE 25:1



YES	△6	1367073-4
YES	△3	1367073-3
NO	△6	1367073-2
NO	△3	1367073-1
DATE CODE	FINISH	PART NUMBER

THIS DRAWING IS A CONTROLLED DOCUMENT.

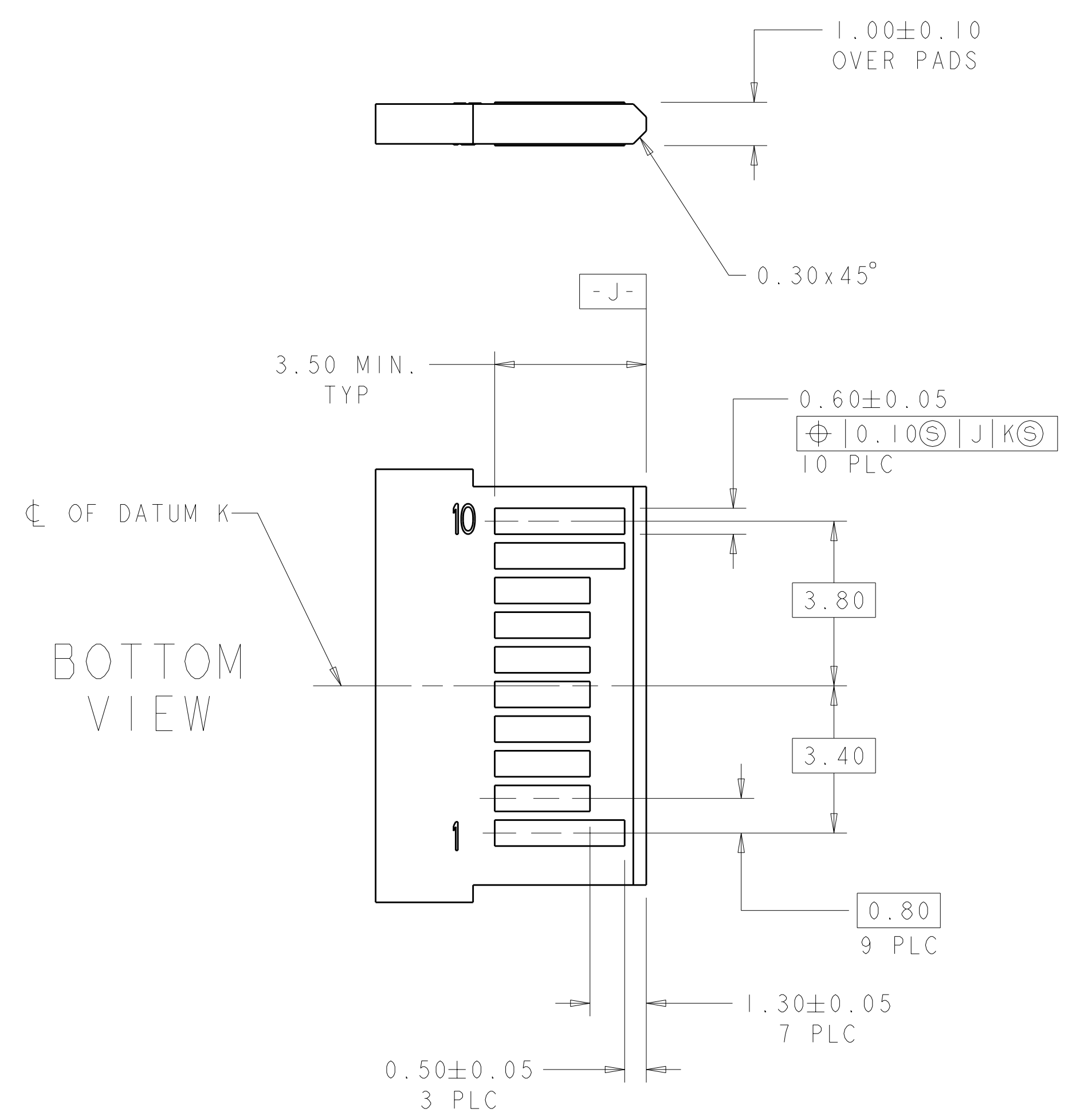
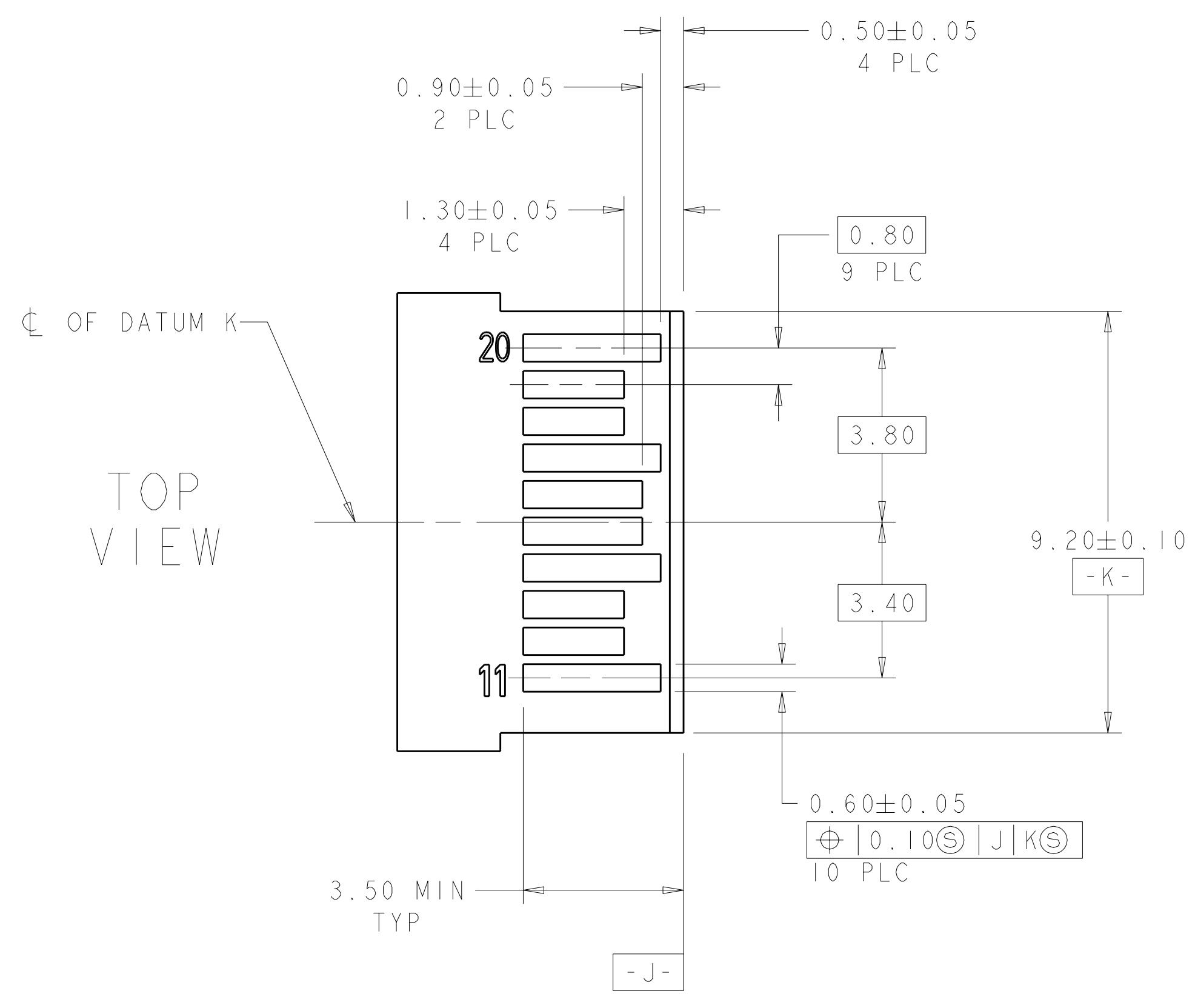
DIMENSIONS:	TOLERANCES UNLESS OTHERWISE SPECIFIED:	OWN: P. KERLIN 01MAR2000	NAME: PT CONNECTOR ASSEMBLY, 20 POSITION, SFP, RTANG, 0.8MM
mm	0 PLC ±	CHK: E. BRIGHT 01MAR2000	PRODUCT SPEC: 108-1949
	1 PLC ±0.10	APVD: E. BRIGHT 01MAR2000	APPLICATION SPEC: 114-13017
	2 PLC ±		WEIGHT: -
	3 PLC ±		FINISH: SEE TABLE
	4 PLC ±		
	ANGLES ±		
MATERIAL: △			

STE TE Connectivity

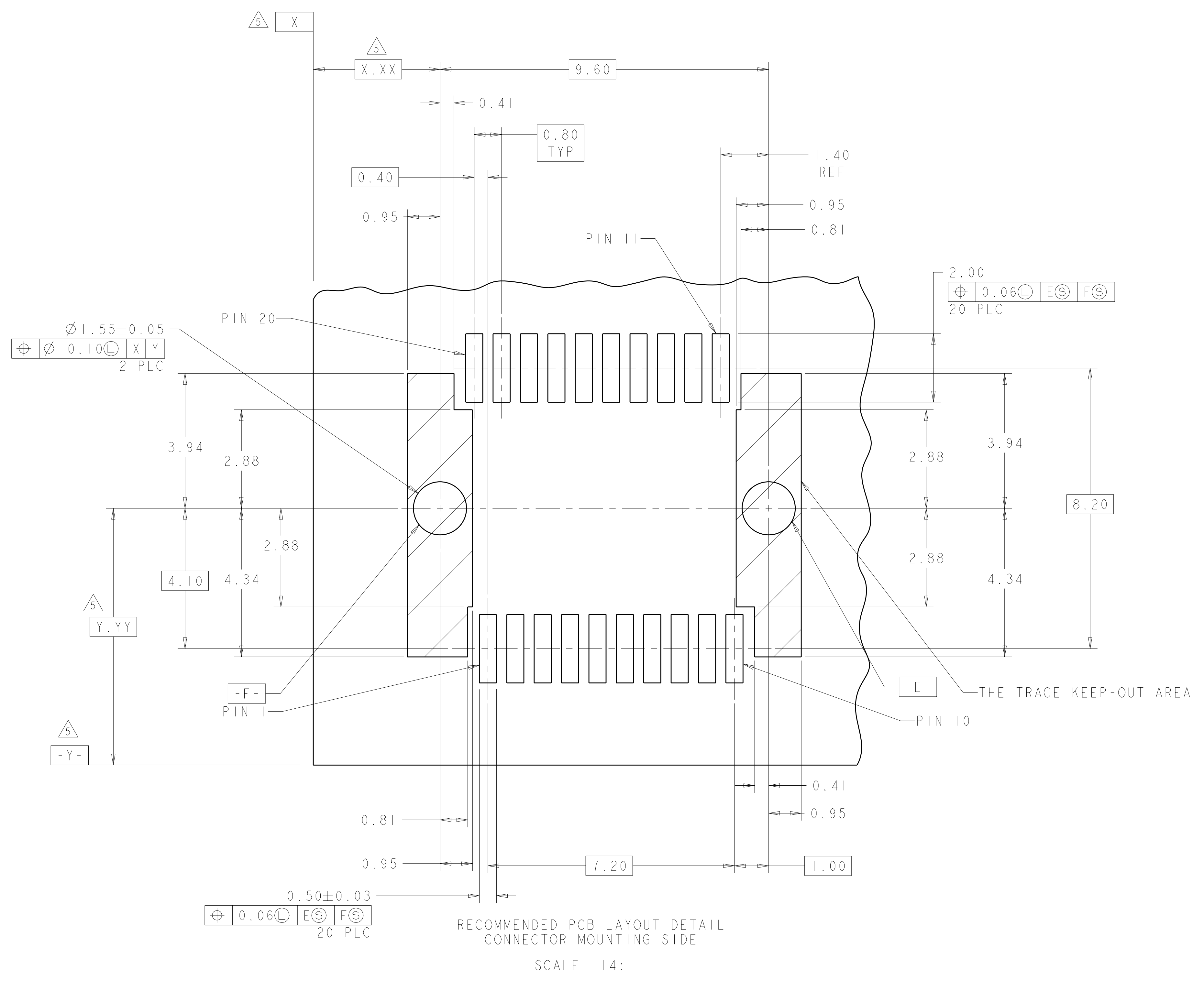
SCALE 12:1 SHEET 1 OF 2 REV J1

LOC	DIST	REV	DATE	BY	APPV
ES	00				

REVISIONS		DATE	BY	APPV
1	SEE SHEET 1			



RECOMMENDED LAYOUT DETAIL
MATING TRANSCEIVER PCB
SCALE 10:1



RECOMMENDED PCB LAYOUT DETAIL
CONNECTOR MOUNTING SIDE
SCALE 14:1

THIS DRAWING IS A CONTROLLED DOCUMENT.		DWN P. KERLIN 01MAR2000	STE TE Connectivity
DIMENSIONS: mm		CHK E. BRIGHT 01MAR2000	
TOLERANCES UNLESS OTHERWISE SPECIFIED:		APVD F. BRIGHT 01MAR2000	NAME PT CONNECTOR ASSEMBLY, 20 POSITION, SFP, RTANG, 0.8MM
9 PLC ±		PRODUCT SPEC 108-1949	SIZE CAGE CODE DRAWING NO RESTRICTED TO
3 PLC ±0.10		APPLICATION SPEC 114-13017	A100779C=1367073
5 PLC ±		WEIGHT	SCALE 12:1 SHEET 2 OF 2 REV J1
4 PLC ±		CUSTOMER DRAWING	
ANGLES ±			
FINISH			