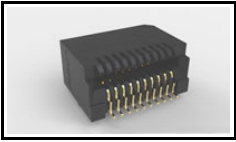


1367073-2 Product Details

[Share](#) [Print](#) [Email](#)



1367073-2

TE Internal Number:
1367073-2
✔ Active

[View 3D PDF](#)

Pluggable Connectors, Cages & Accessories

✔ Always EU RoHS/ELV Compliant
(Statement of Compliance)

Product Highlights:

- SFP Product Line
- Connector
- SFP Application
- Connector Style = Receptacle
- Data Signal Rate = Up to 4 Gb/s

[View all Features](#)

Quick Links

- ▶ [Pricing & Availability](#)
- ▶ [Search for Tooling](#)
- ▶ [View Cages \(21\)](#)
- ▶ [Product Feature Selector](#)
- ▶ [Contact Us About This Product](#)

[Add to My Part List](#)

[Request Sample](#)

[Find Similar Products](#)

[Buy Product](#)

Documentation & Additional Information

Product Drawings:

- [PT CONNECTOR ASSEMBLY, 20 POSITION, SFP, RTANG, 0.8MM \(PDF, English\)](#)

Catalog Pages/Data Sheets:

- [1773408-1 Pluggable Input/Output Solutions catalog -... \(PDF, English\)](#)
- [4-1773455-4 Quick Reference Guide SFP Solutions \(PDF, English\)](#)

Product Specifications:

- [Small Form Factor Pluggable, 0.8 mm Centerline Conne... \(PDF, English\)](#)
- [SFP HSSDC II Copper Module Transceiver \(PDF, English\)](#)
- [Small Form Factor Pluggable, 0.8mm Centerline Connectors \(PDF, Japanese\)](#)
- [SFP Cage Assemblies \(PDF, Japanese\)](#)
- [SFP 20 Position Connector \(PDF, Japanese\)](#)

Application Specifications:

- [Small Form-Factor Pluggable \(SFP\) Connector and Cage... \(PDF, English\)](#)
- [Small Form-Factor Pluggable \(SFP\) Ganged Press-Fit P... \(PDF, English\)](#)
- [Small Form-Factor Pluggable \(SFP\) DWDM \(Dense Wavele... \(PDF, English\)](#)

Instruction Sheets:

- [Small Form-Factor Pluggable \(SFP\) DWDM \(Dense Wavele... \(PDF, English\)](#)
- [Small Form-Factor Pluggable \(SFP\) Connector and Cage... \(PDF, English\)](#)

CAD Files: (CAD Format & Compression Information)

- [2D Drawing \(DXF, Version F\)](#)
- [3D Model \(IGES, Version F\)](#)
- [3D Model \(STEP, Version F\)](#)

[List all Documents](#)

Related Products:

- [Tooling](#)
- [Cages \(21\)](#)

Product Features (Please use the Product Drawing for all design activity)

Product Type Features:

- Product Line = SFP

Industry Standards:

- [RoHS/ELV Compliance](#) = RoHS compliant,

- [Product Type](#) = Connector

Mechanical Attachment:

- PCB Mount = Double Sided (Belly-to-Belly)

Electrical Characteristics:

- Data Signal Rate (Gb/s) = Up to 4

Termination Features:

- Termination Method to PC Board = Surface Mount

Contact Features:

- [Contact Plating, Mating Area, Material](#) = Gold
- Contact Base Material = Phosphor Bronze
- Contact Plating, Mating Area, Thickness (μm [μin]) = 0.76 [29.92]

Housing Features:

- Connector Style = Receptacle
- Housing Material = Liquid Crystal Polymer (LCP)
- Housing Color = Black
- UL Flammability Rating = UL 94V-0

ELV compliant

- [Lead Free Solder Processes](#) = Reflow solder capable to 245°C, Reflow solder capable to 260°C
- RoHS/ELV Compliance History = Always was RoHS compliant

Conditions for Usage:

- Applies To = Printed Circuit Board

Operation/Application:

- [Application](#) = SFP

Packaging Features:

- Packaging Method = Reel

Other:

- Brand = AMP

Corporate Information

- [About TE](#)
- [Investors](#)
- [News Room](#)
- [Supplier Portal](#)
- [Careers](#)
- [Terms & Conditions](#)
- [Privacy Policy](#)

Quick Links

- [Distributor Inventory](#)
- [Product Cross Reference](#)
- [Documents & Drawings](#)
- [Product Compliance Support Center](#)
- [Site Map](#)

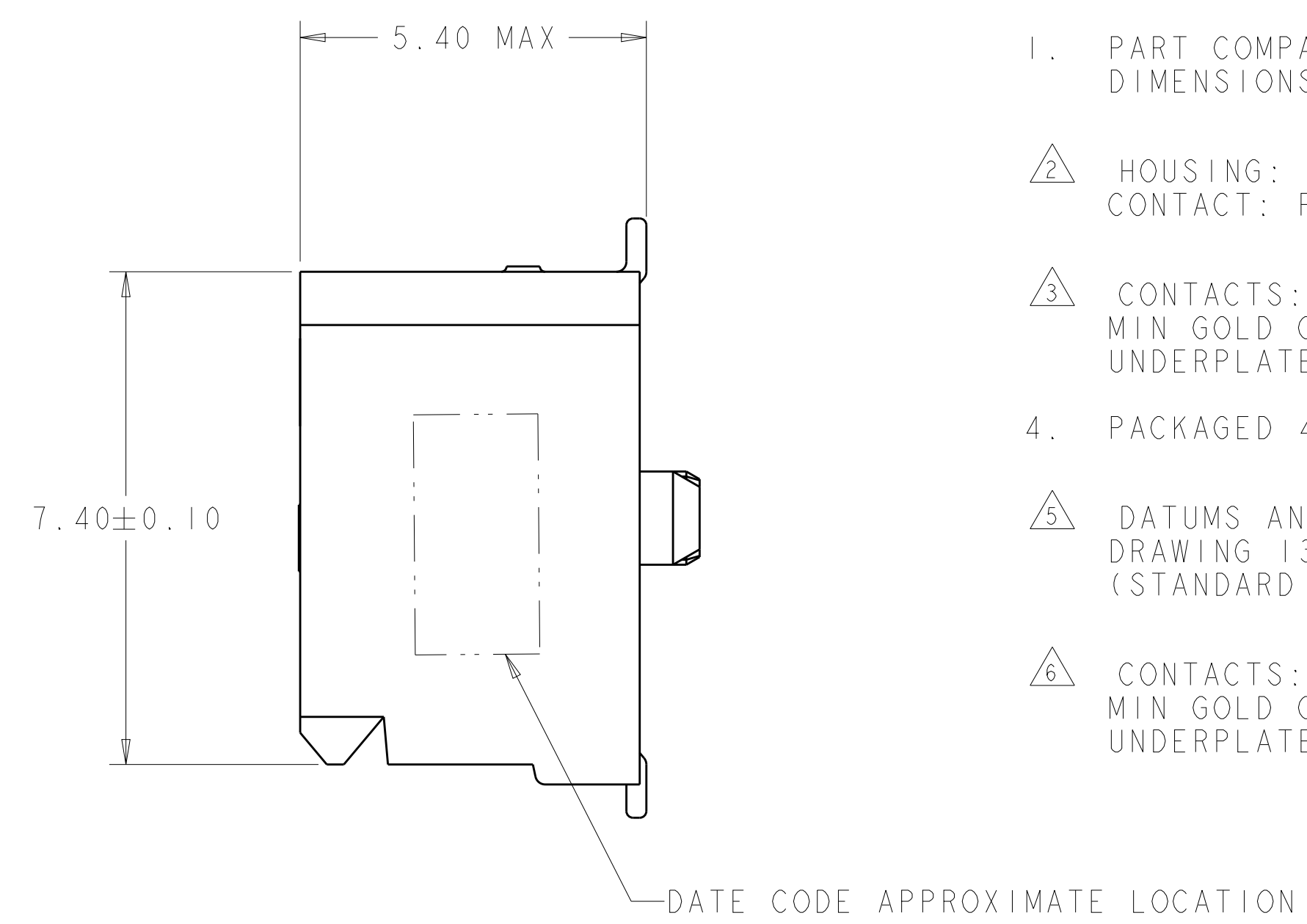
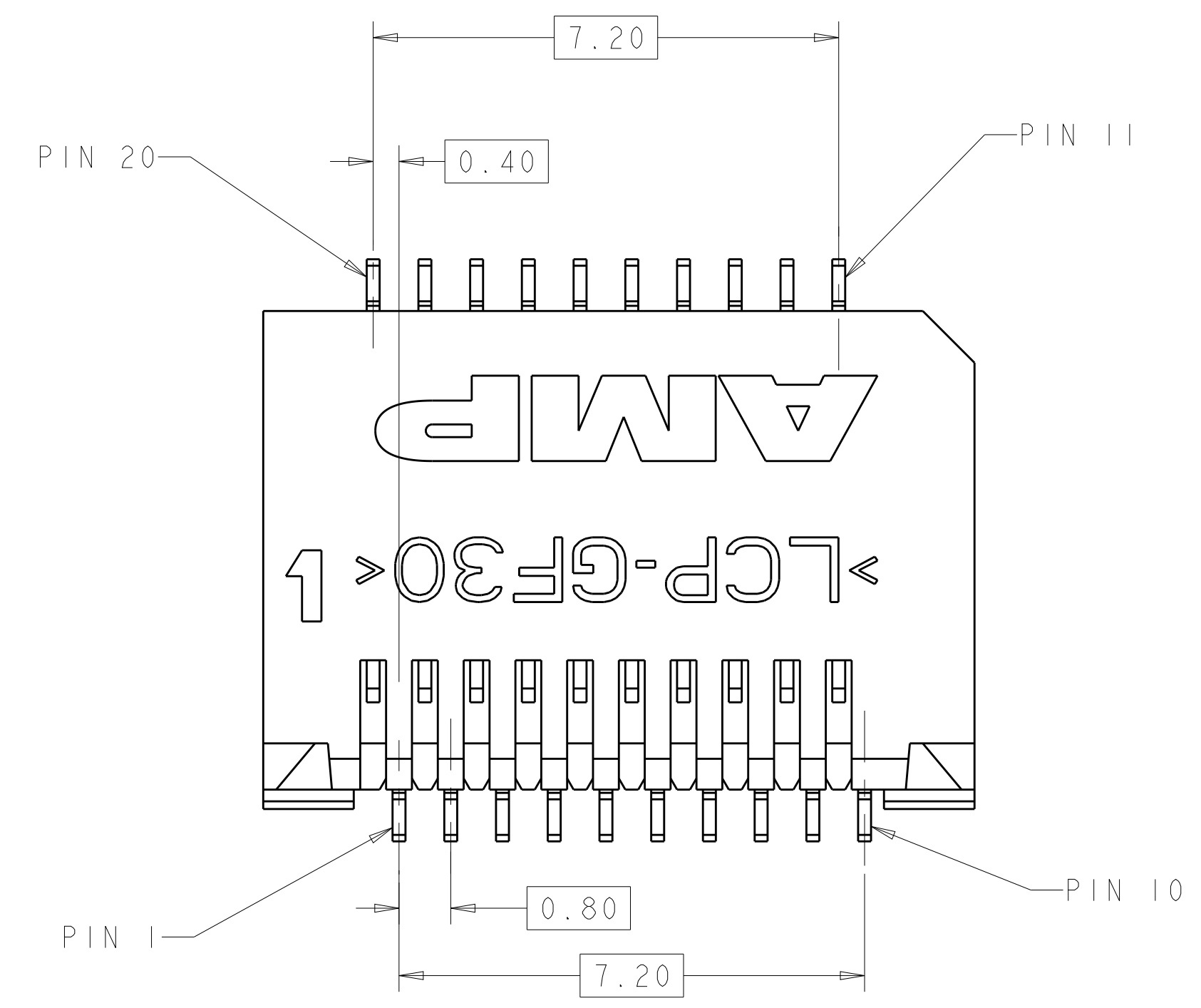
Customer Support

- [Email or Chat With Us](#)
- [Find a Phone Number](#)
- [Knowledge Base](#)
- [Manage Your Account](#)

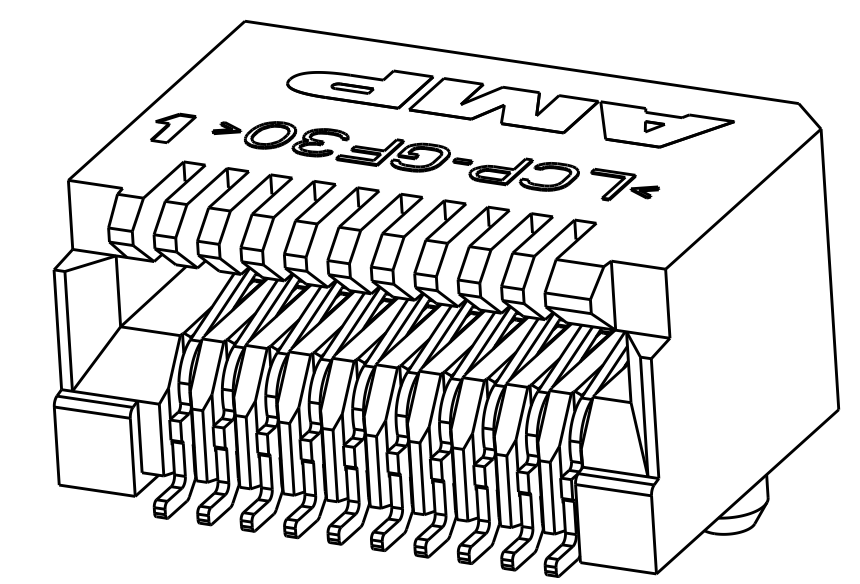
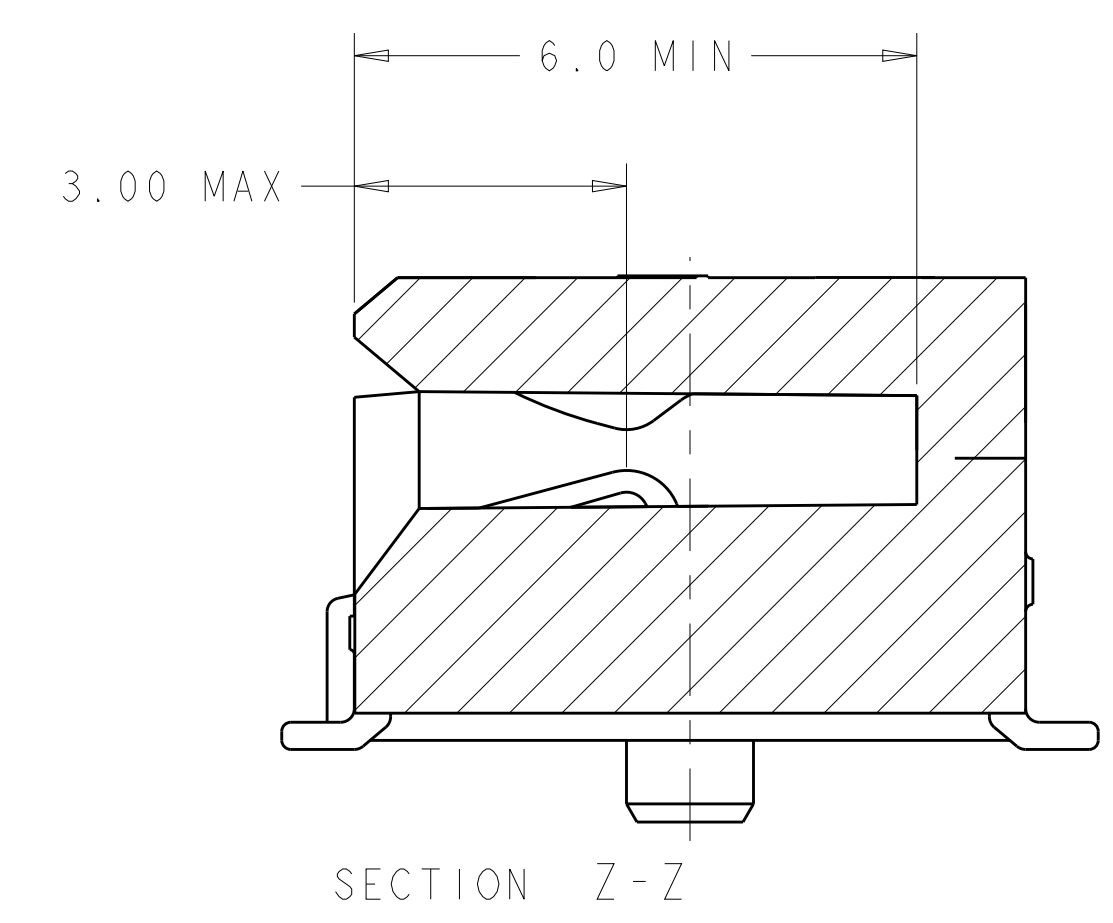
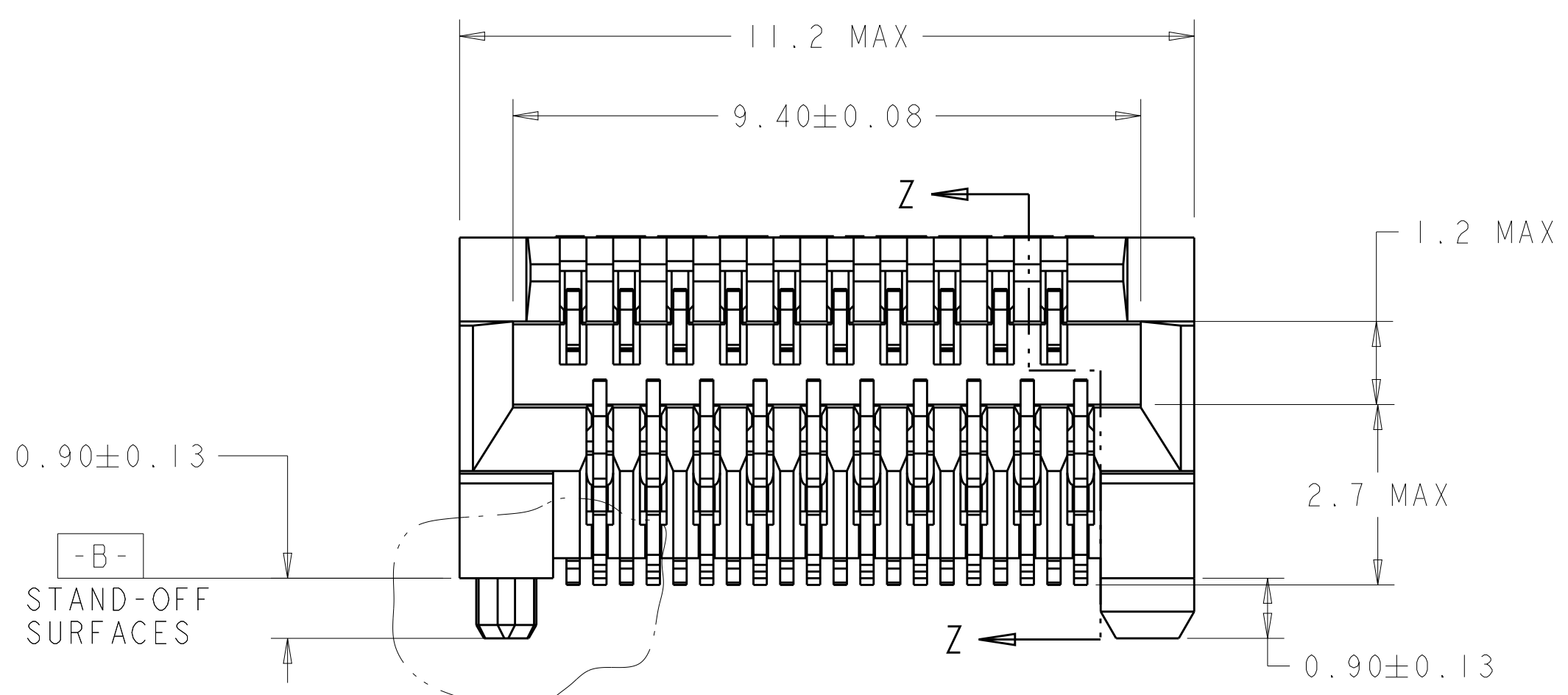
Keep Me Informed



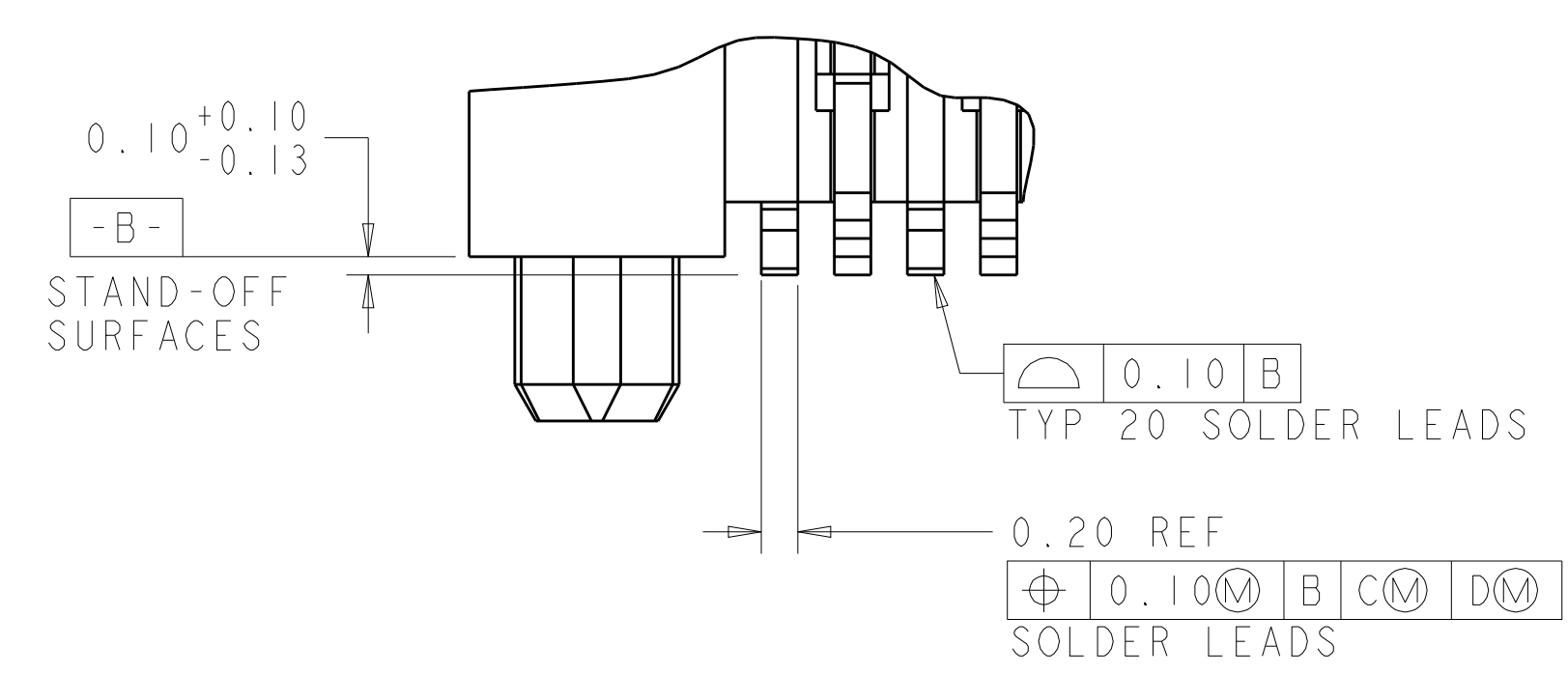
LOC	DIST	REVISIONS			
P	LTN	DESCRIPTION	DATE	DWN	APVD
J1		REVISED PER ECO-11-005033	09MAY2011	RK	HMR
K		REVISED PER ECO-12-014566	18DEC2012	JY	AC



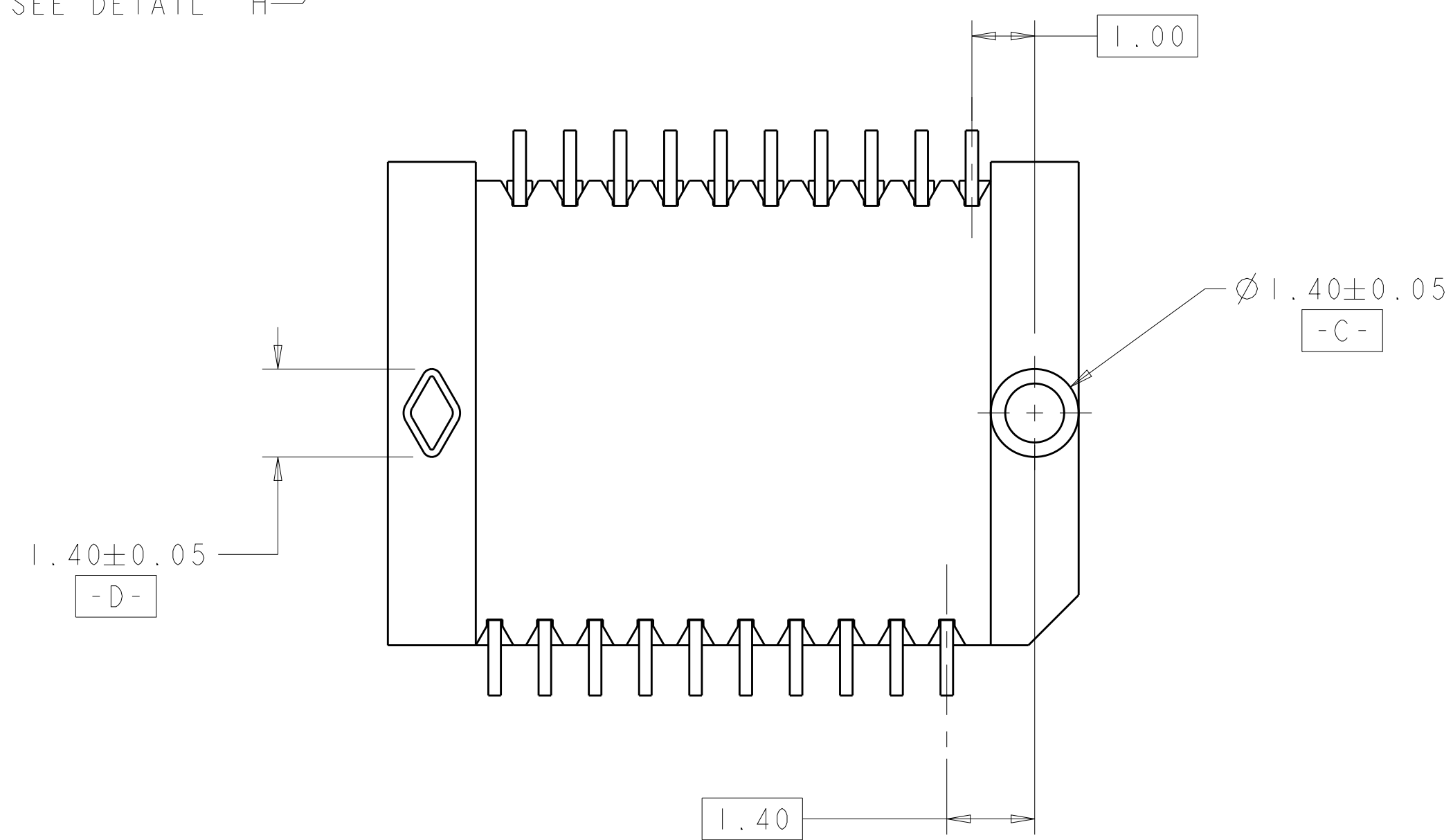
- PART COMPATIBLE WITH SFP MSA. REFER TO THE SFP MSA FOR DIMENSIONS NOT SHOWN ON THIS PRINT.
- HOUSING: HIGH TEMPERATURE LCP, UL 94V-0 RATED, BLACK. CONTACT: PHOSPHOR BRONZE.
- CONTACTS: 0.00038 MIN GOLD IN CONTACT AREA, 0.00013 MIN GOLD ON SOLDER AREA, OVER 0.0038 MIN NICKEL UNDERPLATE ON ENTIRE CONTACT.
- PACKAGED 480 PIECES PER REEL.
- DATUMS AND BASIC DIMENSIONS TO BE ESTABLISHED BY CUSTOMER, SEE DRAWING 1367034 FOR LAYOUT WHEN USED WITH 1367034-1 BOTTOM CAGE (STANDARD SFP APPLICATION).
- CONTACTS: 0.00076 MIN GOLD IN CONTACT AREA, 0.00013 MIN GOLD ON SOLDER AREA, OVER 0.0038 MIN NICKEL UNDERPLATE ON ENTIRE CONTACT.



SCALE 8:1



DETAIL H
SCALE 25:1



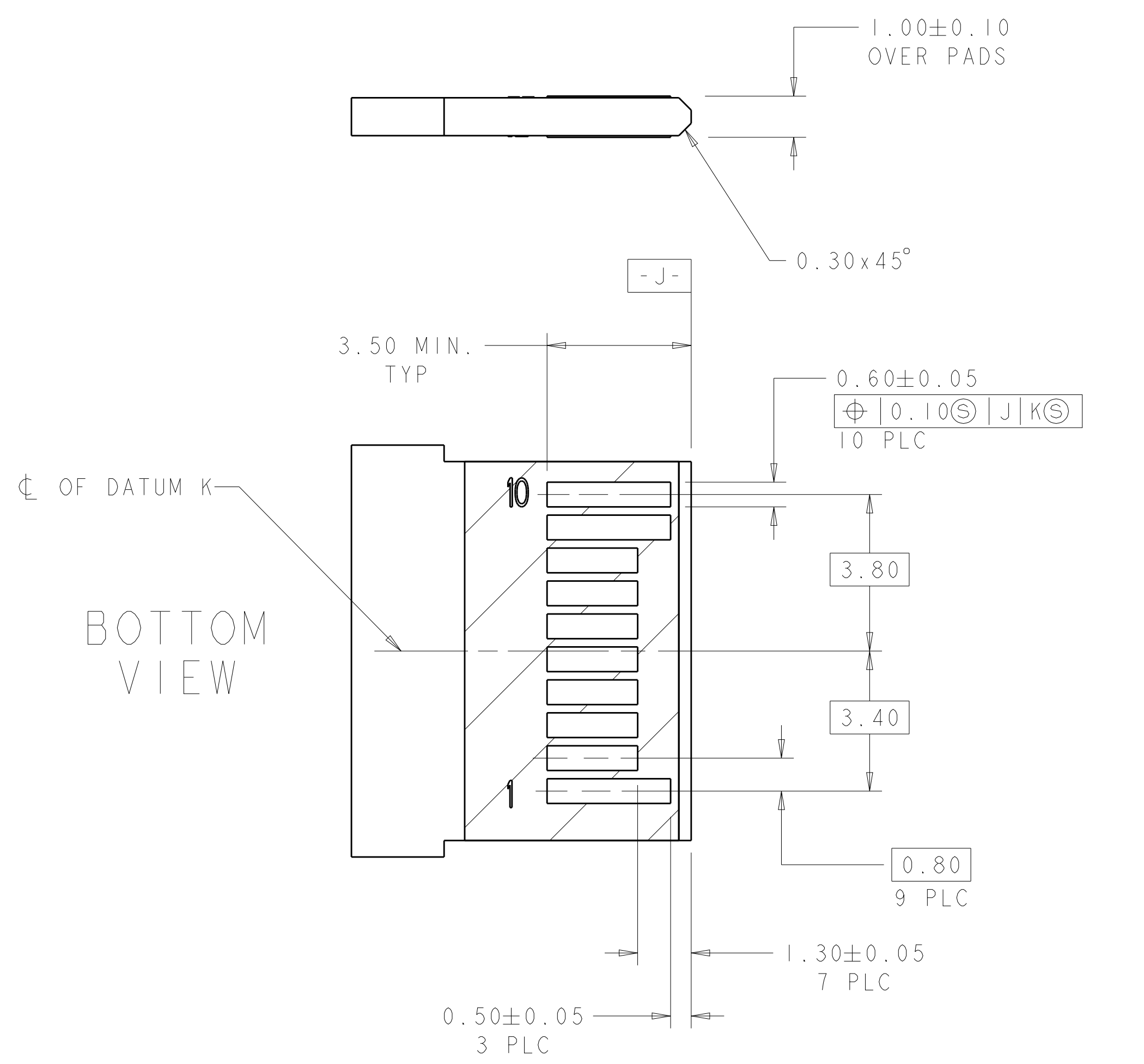
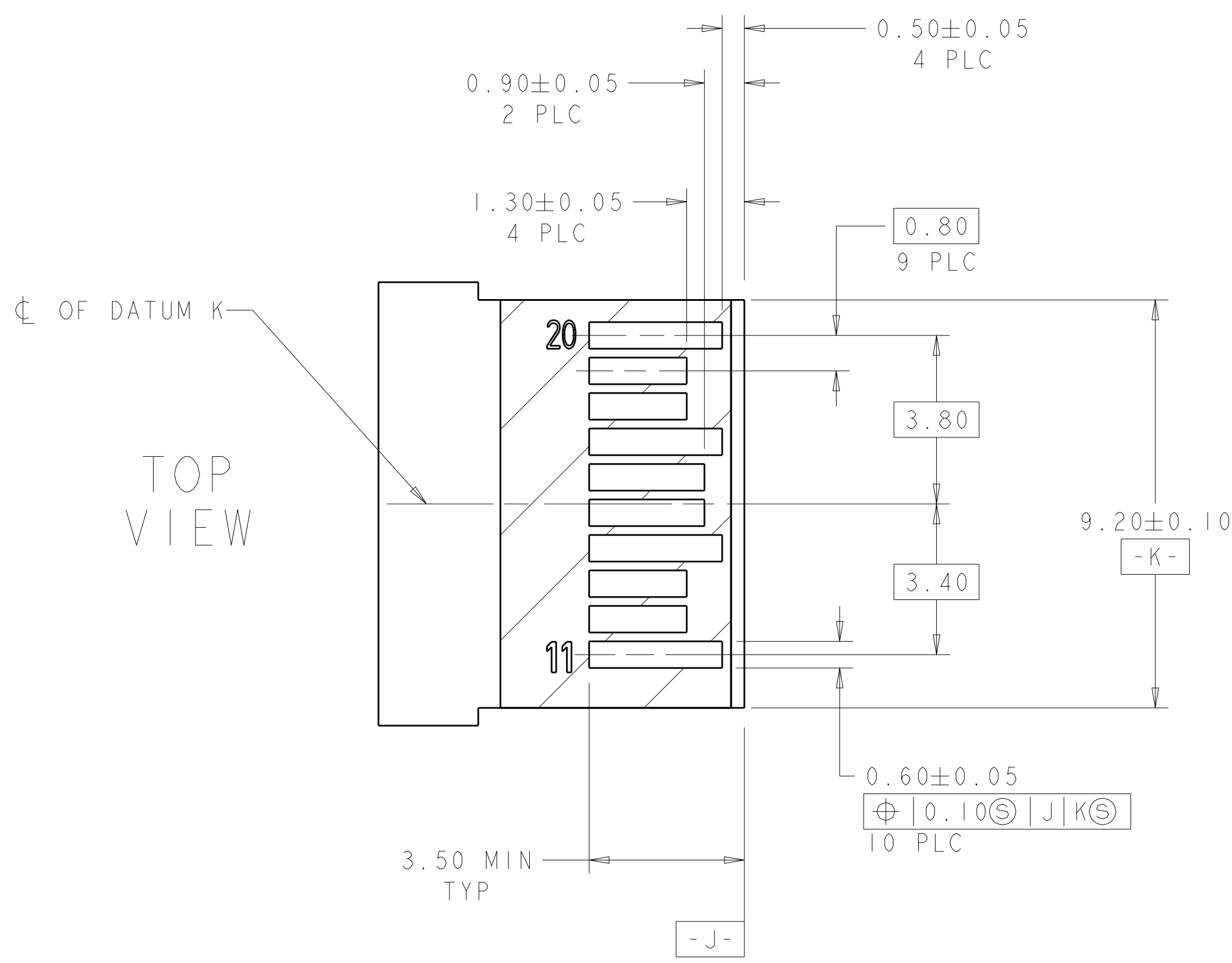
YES	△6	1367073-4
YES	△3	1367073-3
NO	△6	1367073-2
NO	△3	1367073-1
DATE CODE	FINISH	PART NUMBER

DIMENSIONS:		TOLERANCES UNLESS OTHERWISE SPECIFIED:		MATERIAL:	
mm	0 PLC	±		SEE TABLE	
	1 PLC	±	0.10		
	2 PLC	±	0.10		
	3 PLC	±	0.10		
	4 PLC	±	0.10		
	ANGLES	±			

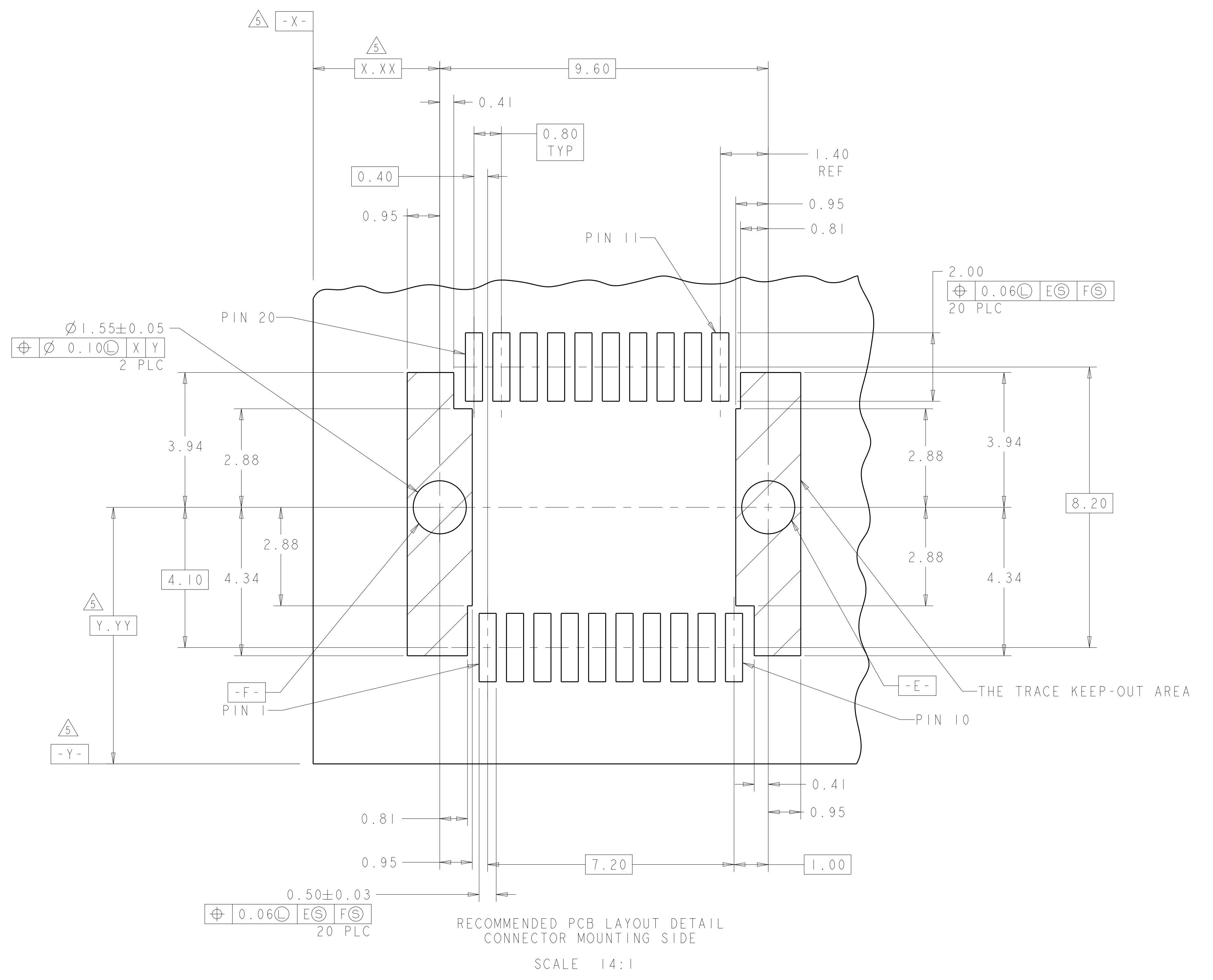
OWN	CHK	APPV	DATE	NAME	SIZE	CAGE CODE	DRAWING NO	RESTRICTED TO
P. KERBLIN	E. BRIGHT	E. BRIGHT	01MAR2000	PT CONNECTOR ASSEMBLY, 20 POSITION, SFP, RTANG, 0.8MM	A1	00779	1367073	

Customer Drawing SCALE 12:1 SHEET 1 OF 2 REV K

LOC	DIST	REVISIONS			
ES	00	REV	DATE	BY	APPV
		-	SEE SHEET 1	-	-



RECOMMENDED LAYOUT DETAIL
MATING TRANSCEIVER PCB
SCALE 10:1



RECOMMENDED PCB LAYOUT DETAIL
CONNECTOR MOUNTING SIDE
SCALE 14:1

THIS DRAWING IS A CONTROLLED DOCUMENT.		OWN P. KERLIN 01MAR2000	STE TE Connectivity
DIMENSIONS: mm		CHK E. BRIGHT 01MAR2000	
TOLERANCES UNLESS OTHERWISE SPECIFIED:		APVD F. BRIGHT 01MAR2000	NAME PT CONNECTOR ASSEMBLY, 20 POSITION, SFP, RTANG, 0.8MM
0 PLC ±	1 PLC ±0.10	PRODUCT SPEC 108-1949	SIZE CAGE CODE DRAWING NO RESTRICTED TO
2 PLC ±	3 PLC ±	APPLICATION SPEC 114-13017	A100779C=1367073
4 PLC ±	ANGLES ±	WEIGHT	SCALE 12:1 SHEET 2 OF 2 REV K
MATERIAL FINISH	Customer Drawing		