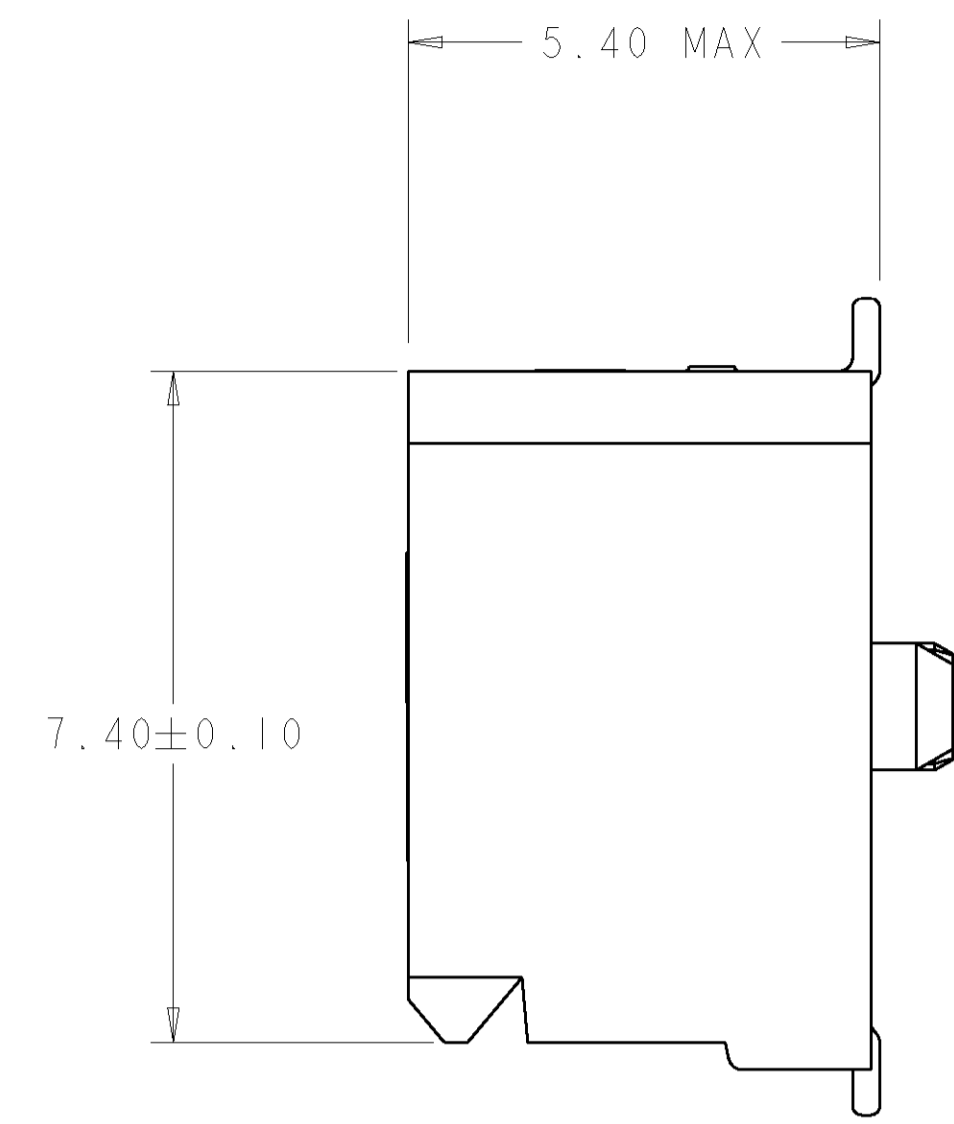
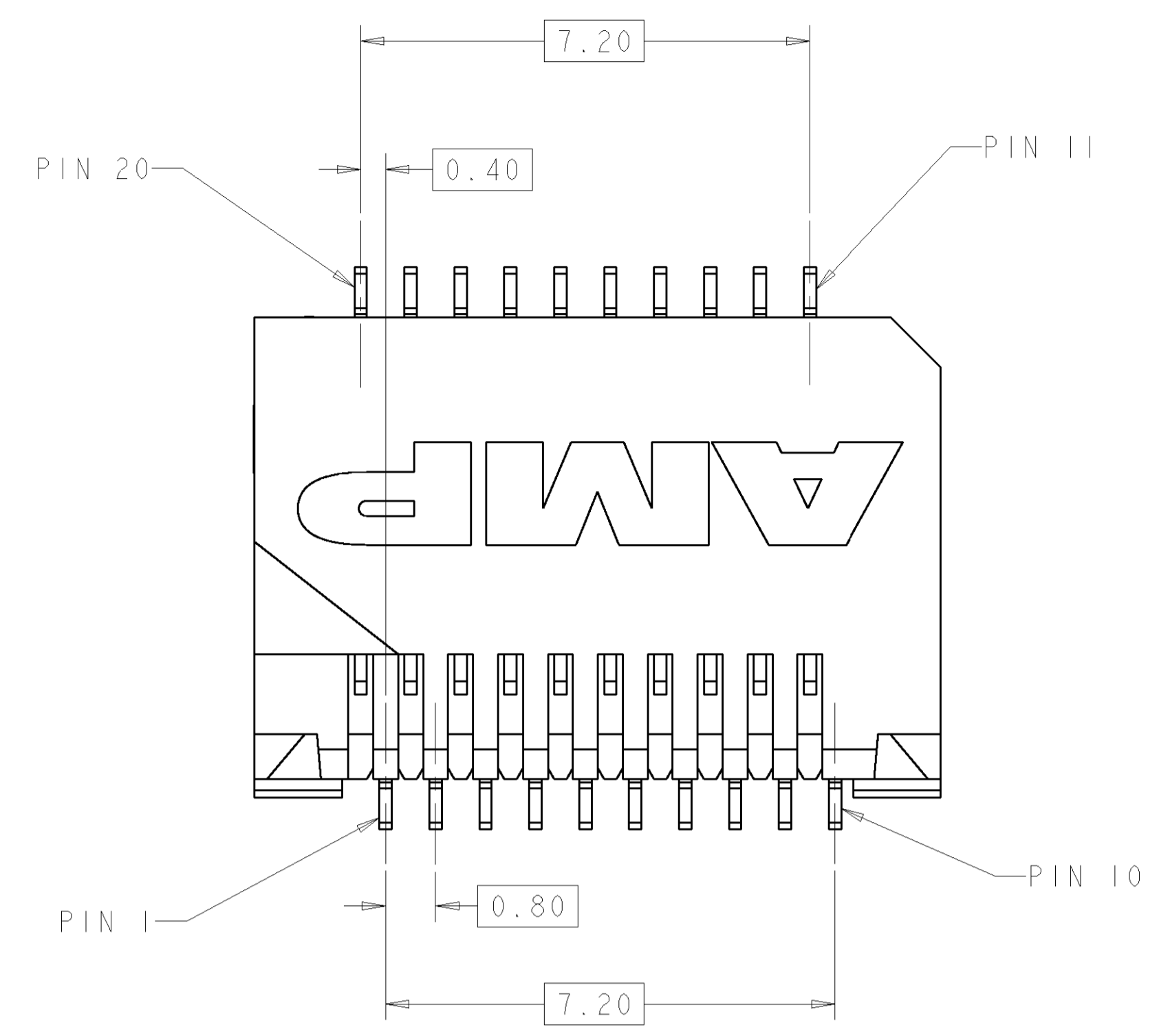
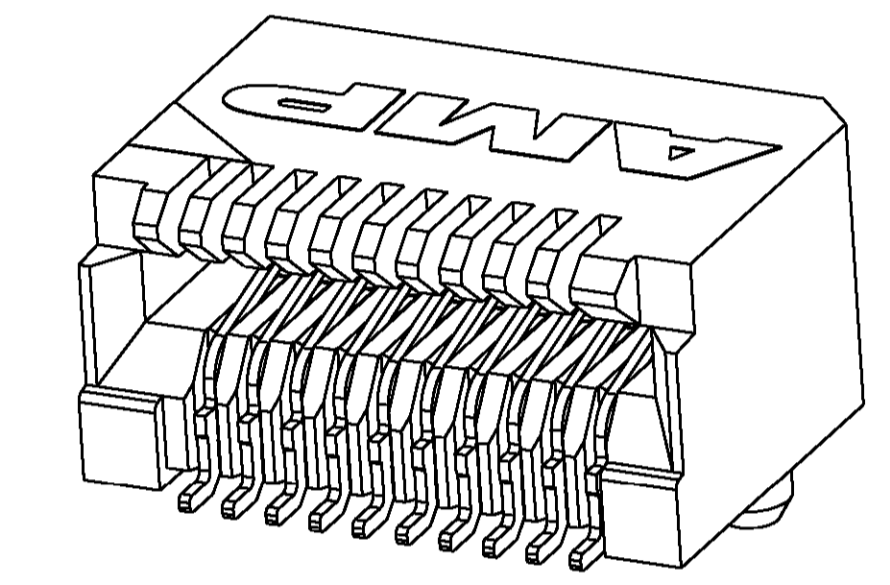


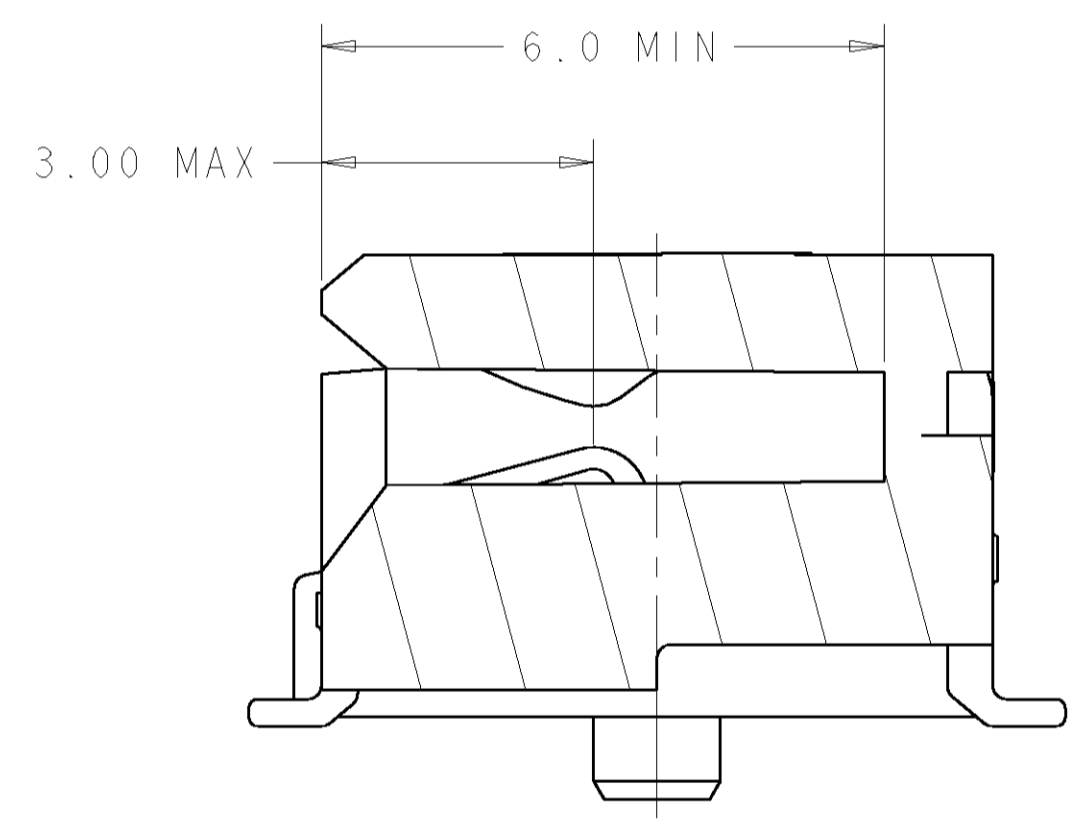
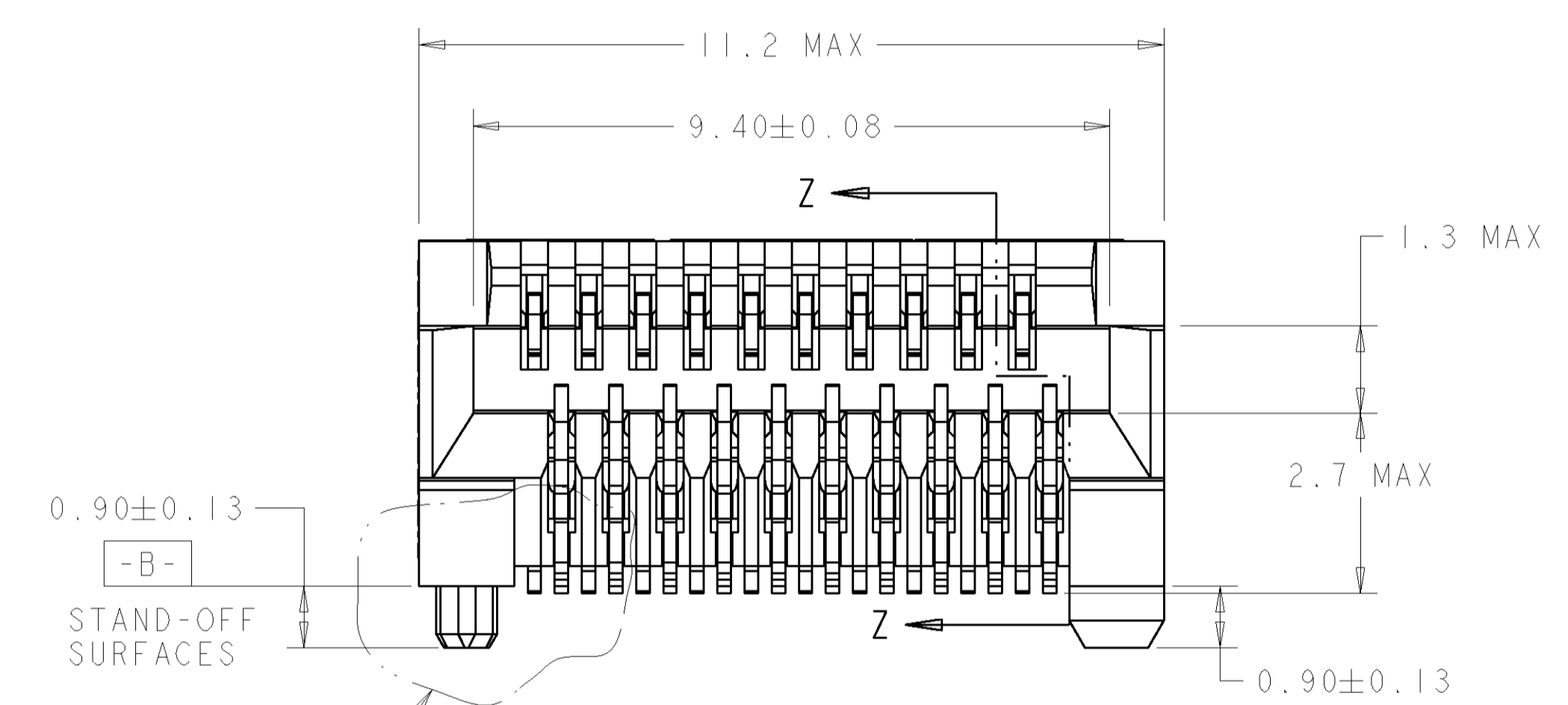
LOC	DIST	REVISIONS					
GP	00	P	LTR	DESCRIPTION	DATE	DWN	APVD
		D		REVISED PER EC 0513-0307-05	23FEB06	BM	SS
		E		REVISED PER EC 0513-0220-05	22FEB06	BM	SS
		F		REVISED PER ECR-06-004909	28FEB06	BM	SS



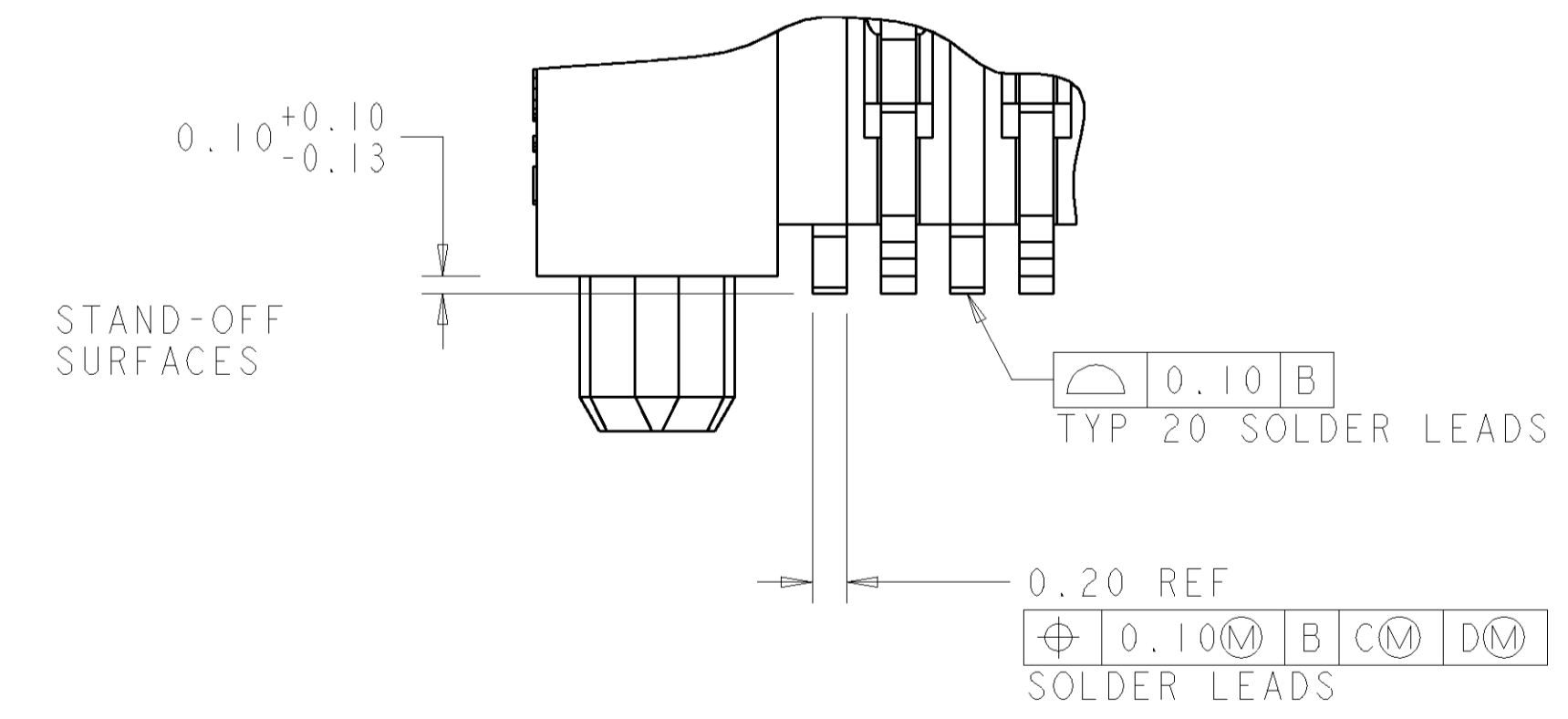
- PART COMPATIBLE WITH SFP MSA. REFER TO THE SFP MSA FOR DIMENSIONS NOT SHOWN ON THIS PRINT.
- HOUSING: HIGH TEMPERATURE LCP, UL 94V-0 RATED, BLACK. CONTACT: PHOSPHOR BRONZE.
- CONTACTS: 0.00038 MIN GOLD IN CONTACT AREA, 0.00013 MIN GOLD ON SOLDER AREA, OVER 0.0038 MIN NICKEL UNDERPLATE ON ENTIRE CONTACT.
- PACKAGED 480 PIECES PER REEL.
- DATUMS AND BASIC DIMENSIONS TO BE ESTABLISHED BY CUSTOMER, SEE DRAWING 1367034 FOR LAYOUT WHEN USED WITH 1367034-1 BOTTOM CAGE (STANDARD SFP APPLICATION).
- CONTACTS: 0.00076 MIN GOLD IN CONTACT AREA, 0.00013 MIN GOLD ON SOLDER AREA, OVER 0.0038 MIN NICKEL UNDERPLATE ON ENTIRE CONTACT.



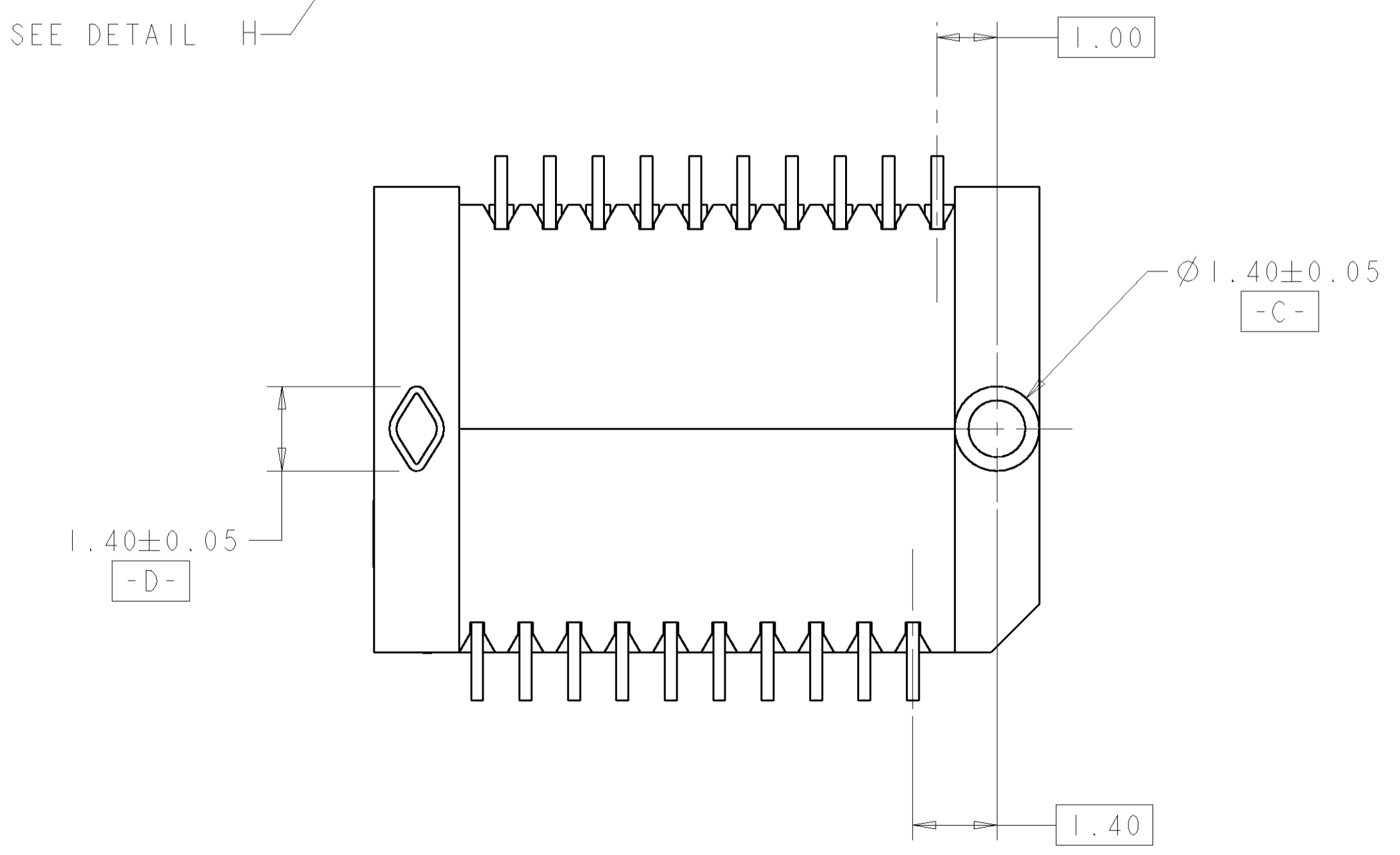
SCALE 8:1



SECTION Z-Z



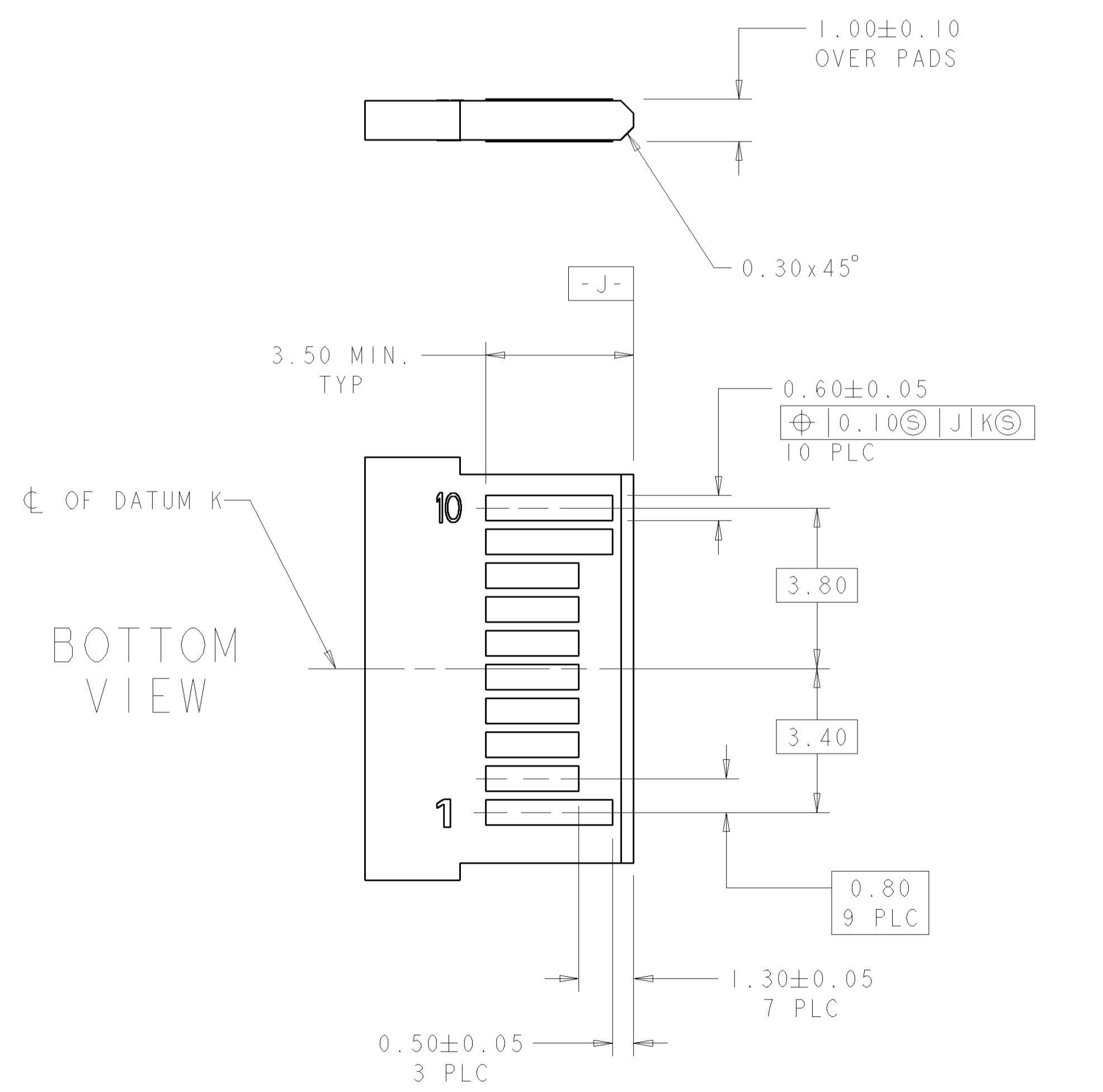
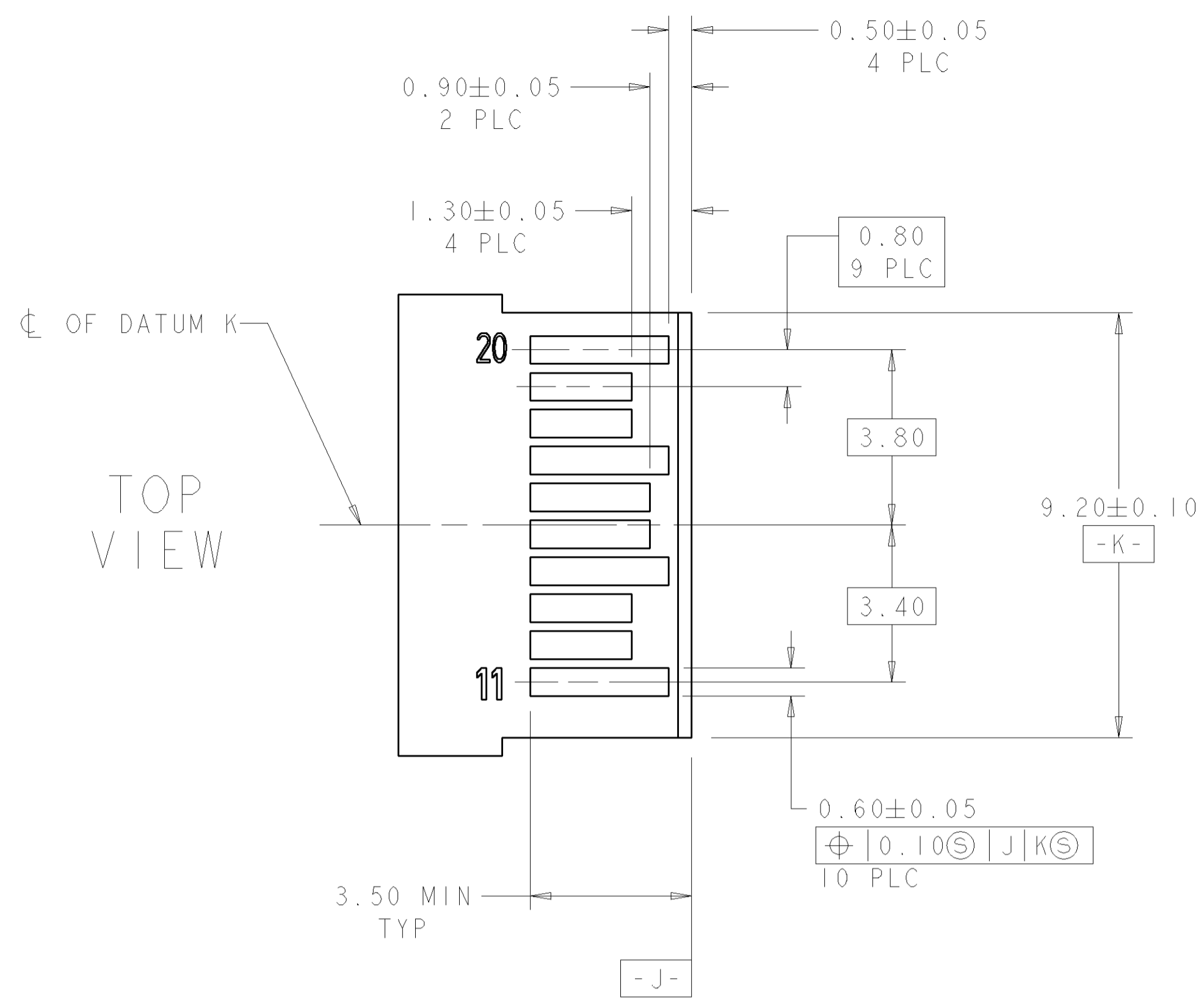
DETAIL H
SCALE 25:1



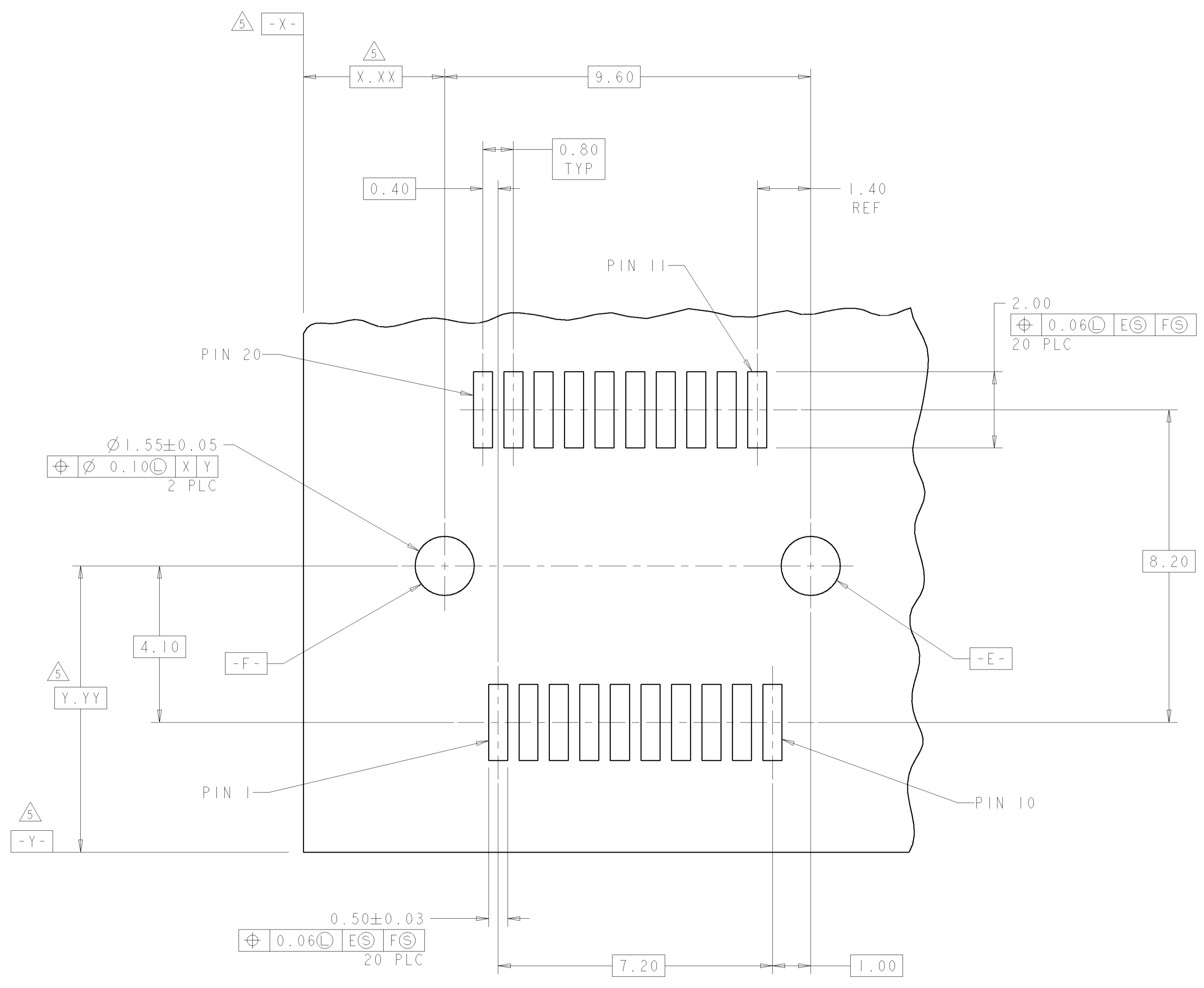
△6	1367073-2
△3	1367073-1
FINISH	PART NUMBER

DIMENSIONS: mm TOLERANCES UNLESS OTHERWISE SPECIFIED: 0 PLC ± 1 PLC ±0.10 2 PLC ± 3 PLC ± 4 PLC ± ANGLES ± FINISH SEE TABLE		DWN P. KERLIN 01MAR2000 CHK E. BRIGHT 01MAR2000 APVD E. BRIGHT 01MAR2000 PRODUCT SPEC 108-1949 APPLICATION SPEC 114-13017 WEIGHT - CUSTOMER DRAWING	NAME FT CONNECTOR ASSEMBLY, 20 POSITION, SFP, RTANG, 0.8MM SIZE CAGE CODE DRAWING NO. A100779C=1367073 RESTRICTED TO - SCALE 12:1 SHEET 1 OF 2 REV F	tyco Electronics AMP Incorporated Harrisburg, PA 17105-3608
---	--	---	---	--

LOC		DISTR		REVISIONS			
GP	00	P	LTR	DESCRIPTION	DATE	DRN	APVD
-	-	-	-	SEE SHEET 1	-	-	-



RECOMMENDED LAYOUT DETAIL
 MATING TRANSCEIVER PCB
 SCALE 10:1



RECOMMENDED PCB LAYOUT DETAIL
 CONNECTOR MOUNTING SIDE
 SCALE 14:1

DIMENSIONS:		TOLERANCES UNLESS OTHERWISE SPECIFIED:		DWN		tyco		AMP Incorporated	
mm		0 PLC	±	P	01MAR2000	E	AMP	Harrisburg, PA 17105-3608	
⌀		1 PLC	±0.10	CHK	E. BRIGHT	01MAR2000	NAME	PT CONNECTOR ASSEMBLY, 20 POSITION, SFP, RTANG, 0.8MM	
		2 PLC	±	APVD	F. BRIGHT	01MAR2000	PRODUCT SPEC	108-1949	
		3 PLC	±				APPLICATION SPEC	114-13017	
		4 PLC	±				SIZE	CAGE CODE DRAWING NO	RESTRICTED TO
		ANGLES	±				WEIGHT	A 00779 C=1367073	
		FINISH	±				CUSTOMER DRAWING	SCALE 12:1	SHEET 2 OF 2
									REV F