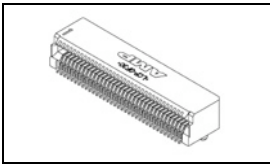


1367337-1 Product Details

[Share](#) [Print](#) [Email](#)



1367337-1

TE Internal Number: 1367337-1

Active

[View 3D PDF](#)

Pluggable Connectors, Cages & Accessories

Always EU RoHS/ELV Compliant (Statement of Compliance)

Product Highlights:

- XPAK Product Line
- Connector
- XPAK Application
- Connector Style = Receptacle
- Termination Method to PC Board = Surface Mount

[View all Features](#)

Quick Links

- ▶ [Pricing & Availability](#)
- ▶ [Search for Tooling](#)
- ▶ [Product Feature Selector](#)
- ▶ [Contact Us About This Product](#)

[Add to My Part List](#) [Request Sample](#) [Find Similar Products](#) [Buy Product](#)

Documentation & Additional Information

Product Drawings:

- [PT CONNECTOR ASSEMBLY, 70 POSITION, RTANG, 0.8MM](#) (PDF, English)

Catalog Pages/Data Sheets:

- [1-1773717-7_PLUGGABLE_IO_QRG_CN](#) (PDF, English)
- [1-1773717-8_PLUGGABLEIO_QRG_TCN](#) (PDF, English)
- [1-1773717-9_HIGH_SPEED_IO_QRG_JA](#) (PDF, English)
- [1773408-1 Pluggable Input/Output Solutions catalog -...](#) (PDF, English)
- [4-1773455-2 - Quick Reference Guide Pluggable I/O So...](#) (PDF, English)

Product Specifications:

- [Small Form Factor Pluggable, 0.8 mm Centerline Conne...](#) (PDF, English)
- [SFP HSSDC II Copper Module Transceiver](#) (PDF, English)
- [Small Form Factor Pluggable, 0.8mm Centerline Connectors](#) (PDF, Japanese)
- [SFP Cage Assemblies](#) (PDF, Japanese)
- [SFP 20 Position Connector](#) (PDF, Japanese)

Application Specifications:

- [Small Form-Factor Pluggable \(SFP\) Connector and Cage...](#) (PDF, English)

Instruction Sheets:

- [Small Form-Factor Pluggable \(SFP\) Connector and Cage...](#) (PDF, English)

CAD Files: (CAD Format & Compression Information)

- [2D Drawing](#) (DXF, Version G)
- [3D Model](#) (IGES, Version G)
- [3D Model](#) (STEP, Version G)

[List all Documents](#)

Related Products:

- [Tooling](#)

Product Features (Please use the Product Drawing for all design activity)

Product Type Features:

- Product Line = XPAK
- Product Type = Connector

Mechanical Attachment:

- PCB Mount = Double Sided (Belly-to-Belly)

Termination Features:

- Termination Method to PC Board = Surface Mount

Contact Features:

- [Contact Plating, Mating Area, Material](#) = Gold
- Contact Base Material = Phosphor Bronze
- Contact Plating, Mating Area, Thickness (µm [µin]) = 0.38 [15]

Housing Features:

- Connector Style = Receptacle
- Housing Material = Liquid Crystal Polymer (LCP)
- Housing Color = Black
- UL Flammability Rating = UL 94V-0

Industry Standards:

- [RoHS/ELV Compliance](#) = RoHS compliant, ELV compliant
- [Lead Free Solder Processes](#) = Reflow solder capable to 245°C, Reflow solder capable to 260°C
- [RoHS/ELV Compliance History](#) = Always was RoHS compliant

Conditions for Usage:

- Applies To = Printed Circuit Board

Operation/Application:

- Application = XPAK

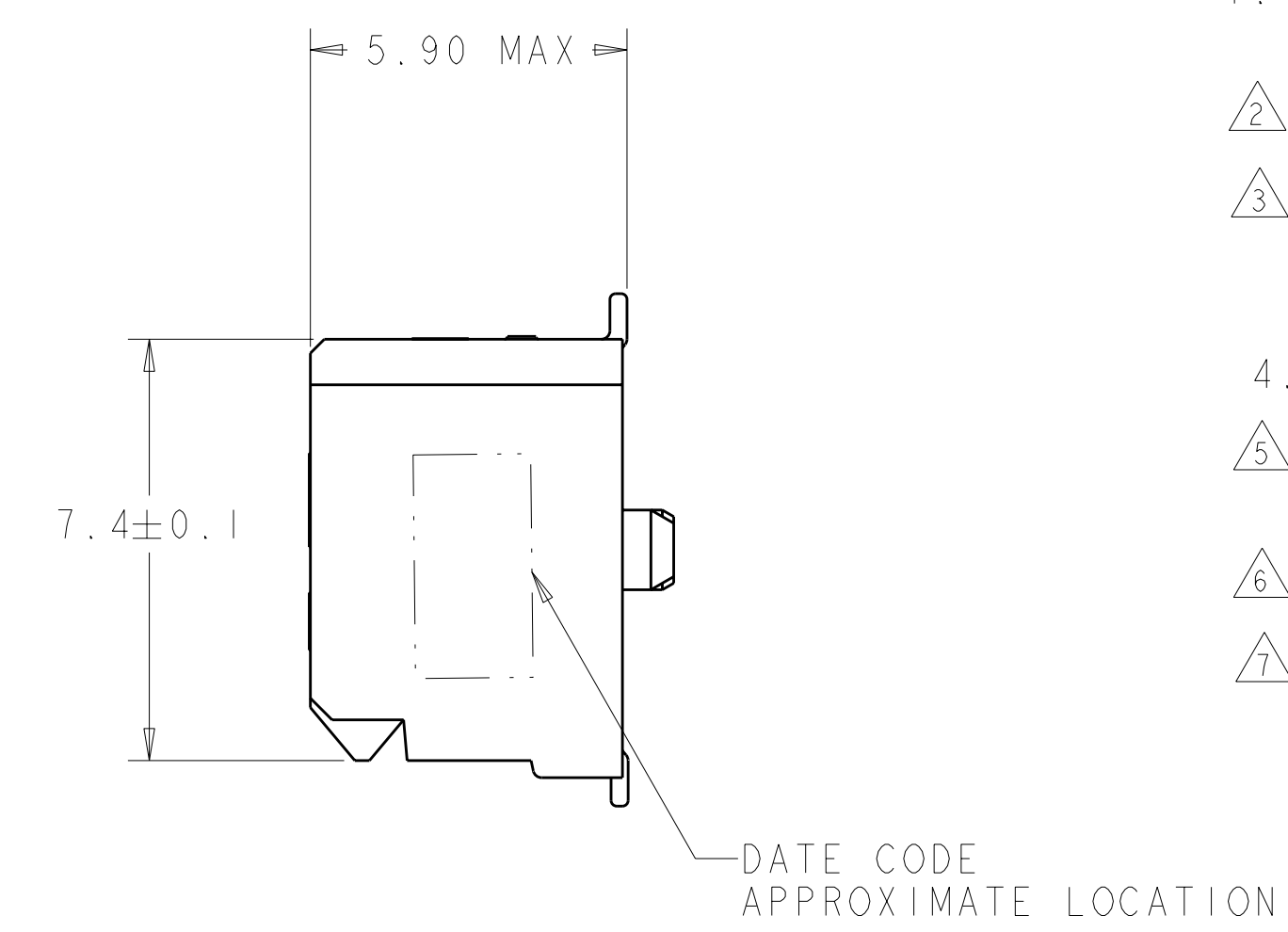
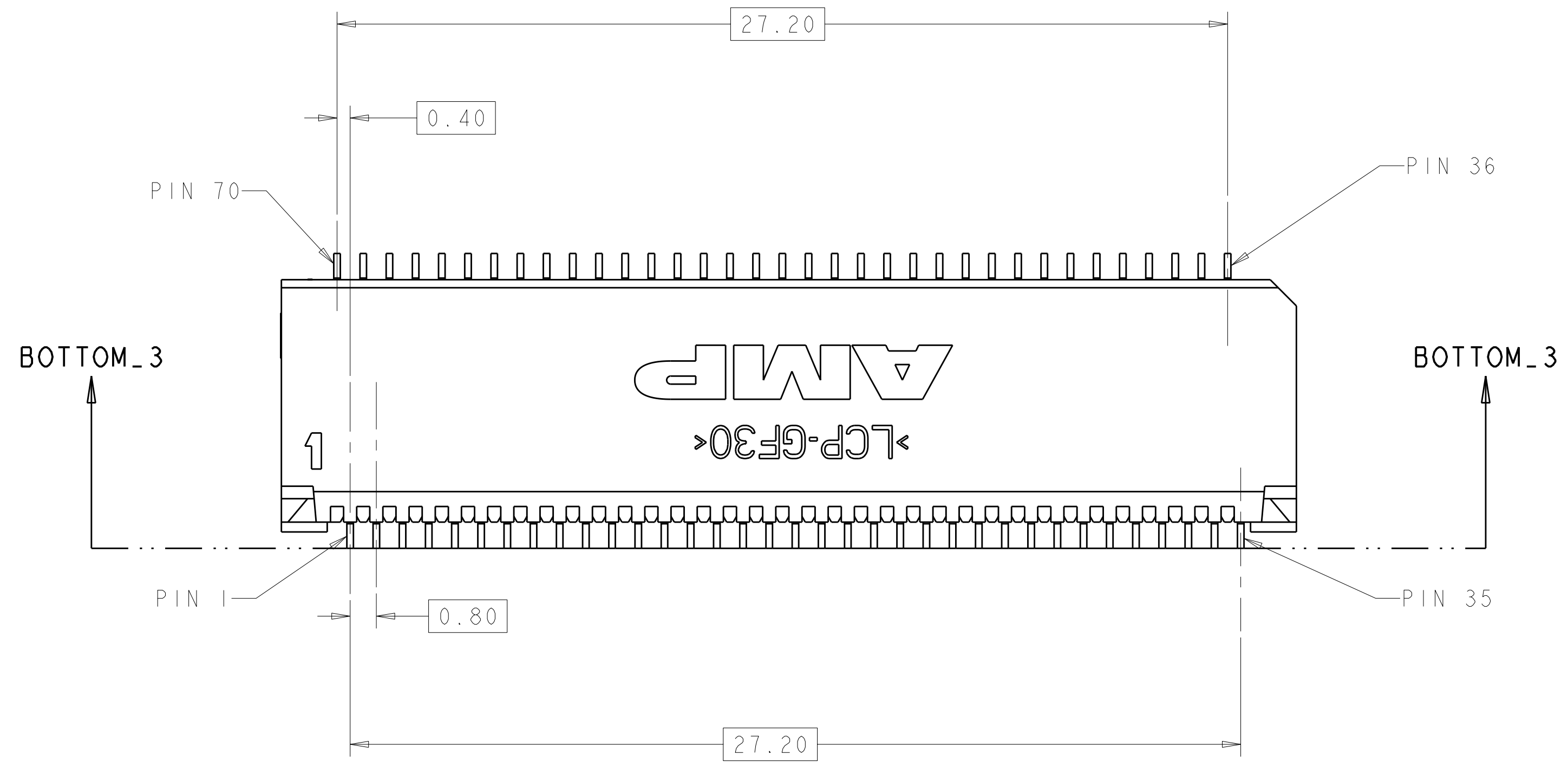
Packaging Features:

- Packaging Method = Reel

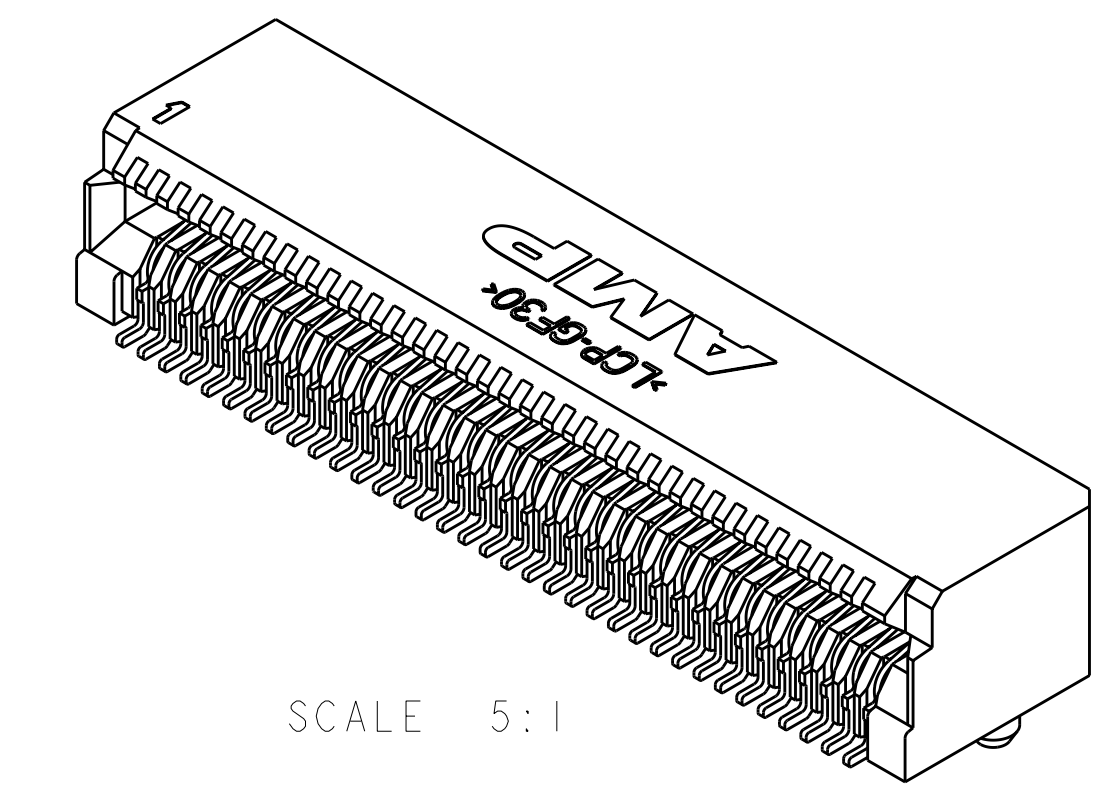
Other:

- Brand = AMP

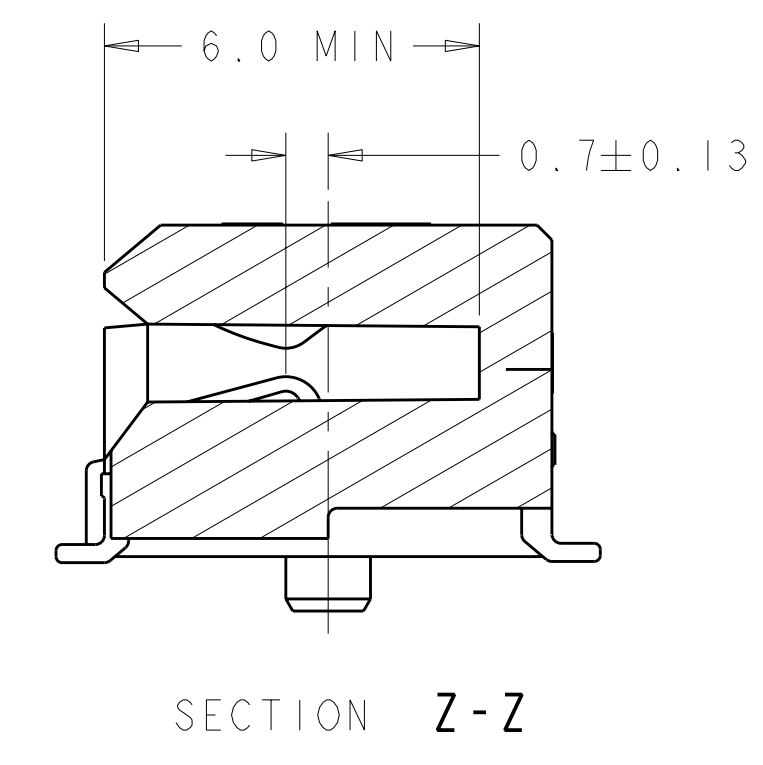
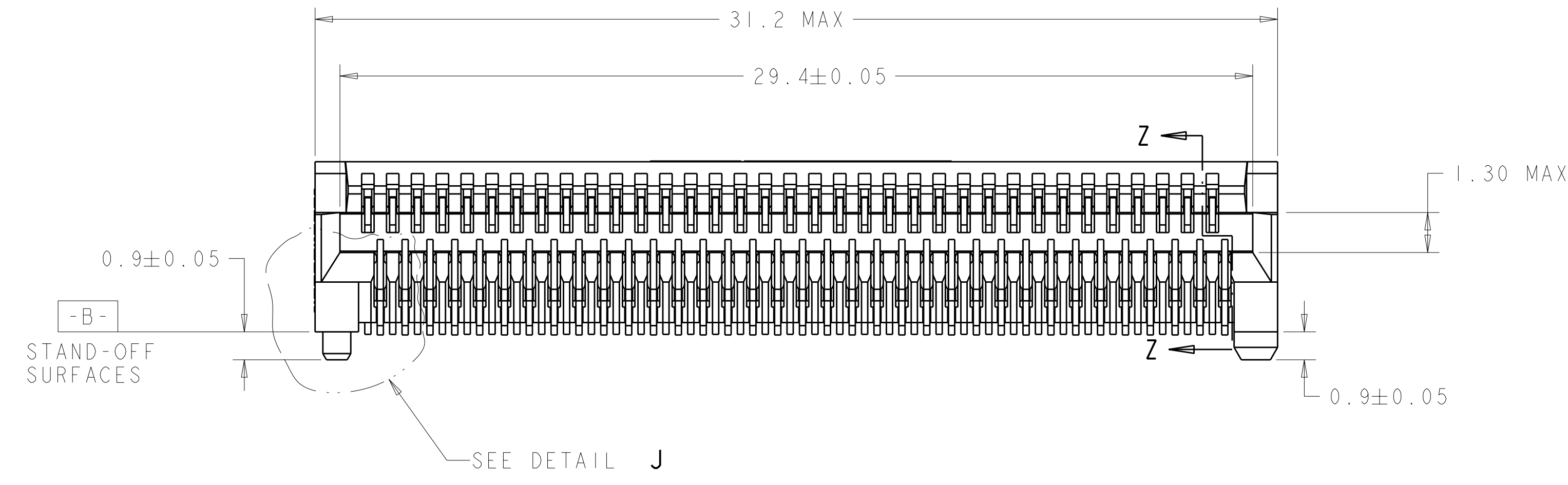
LOC	DIST	REV	DATE	BY	APPD
ES	00				
H3		ECR-11-001732	25JAN2011	KS	MO, W
H4		REVISED PER ECR-11-009789	11MAY2011	KS	MO, W



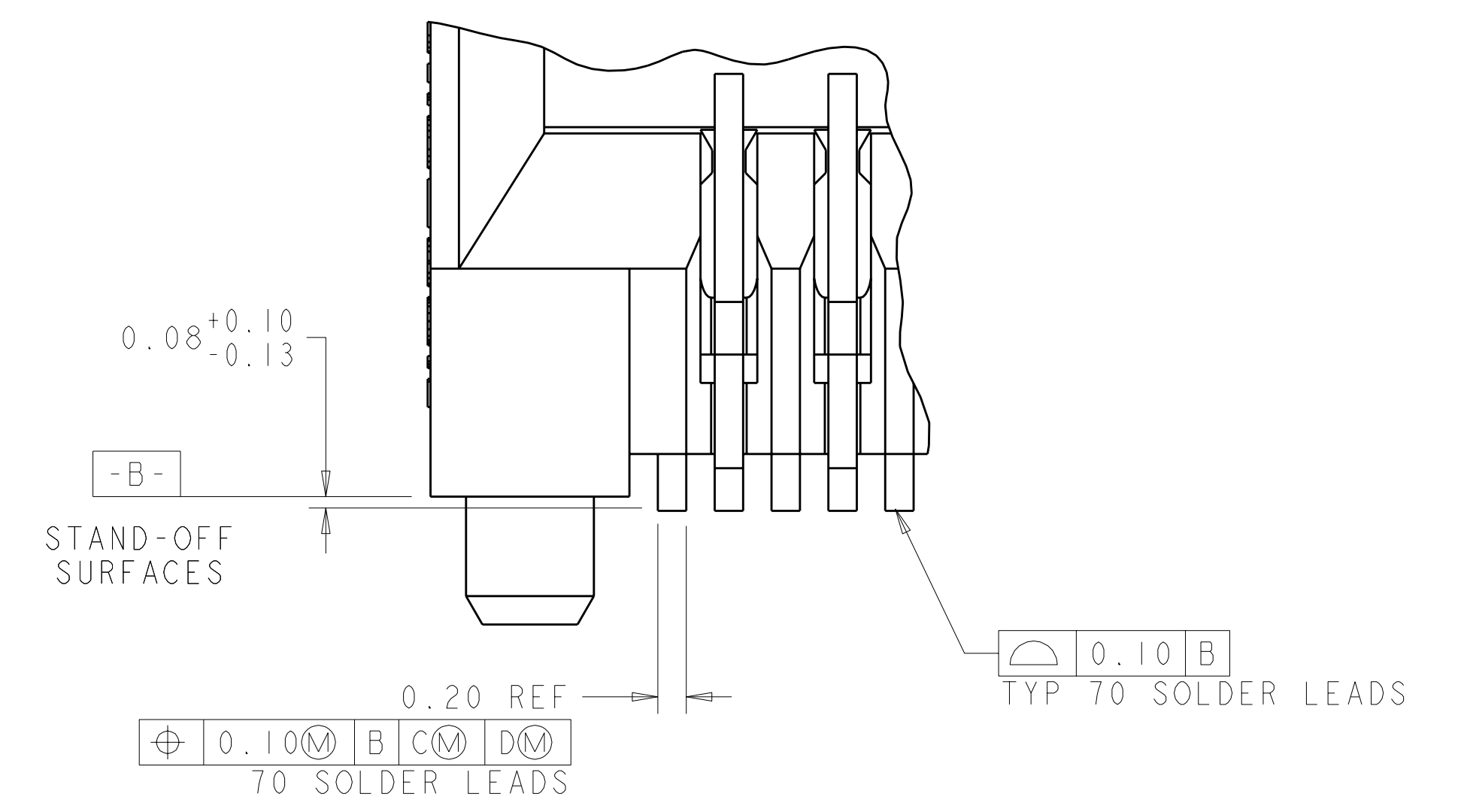
- PART COMPATABLE XENPAK & X2 MSA. REFER TO THESE MSA'S FOR DIMENSIONS NOT SHOWN ON THIS PRINT.
- HOUSING: HIGH TEMPERATURE LCP, UL 94V-0 RATED, BLACK.
- CONTACTS: 0.00038 MIN GOLD IN CONTACT AREA, 0.00013 MIN GOLD ON SOLDER AREA, OVER 0.0038 MIN NICKEL UNDERPLATE ON ENTIRE CONTACT.
- PACKAGED 480 PIECES PER REEL.
- GROUND, POWER AND SIGNAL PAD ARRANGEMENT TO BE DETERMINED BY CUSTOMER.
- DATUMS AND BASIC DIMENSIONS ESTABLISHED BY CUSTOMER.
- CONTACTS: 0.00076 MIN GOLD IN CONTACT AREA, 0.00013 MIN GOLD ON SOLDER AREA, OVER 0.0038 MIN NICKEL UNDERPLATE ON ENTIRE CONTACT.



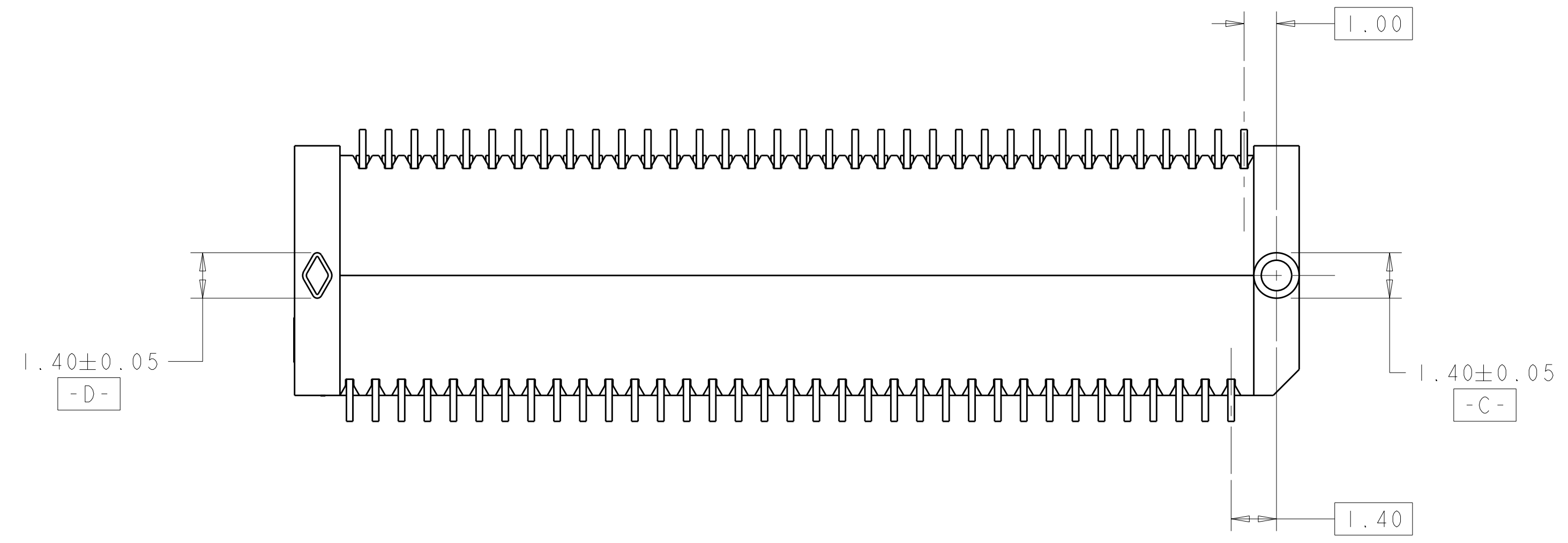
SCALE 5:1



SECTION Z-Z



DETAIL J SCALE 25:1



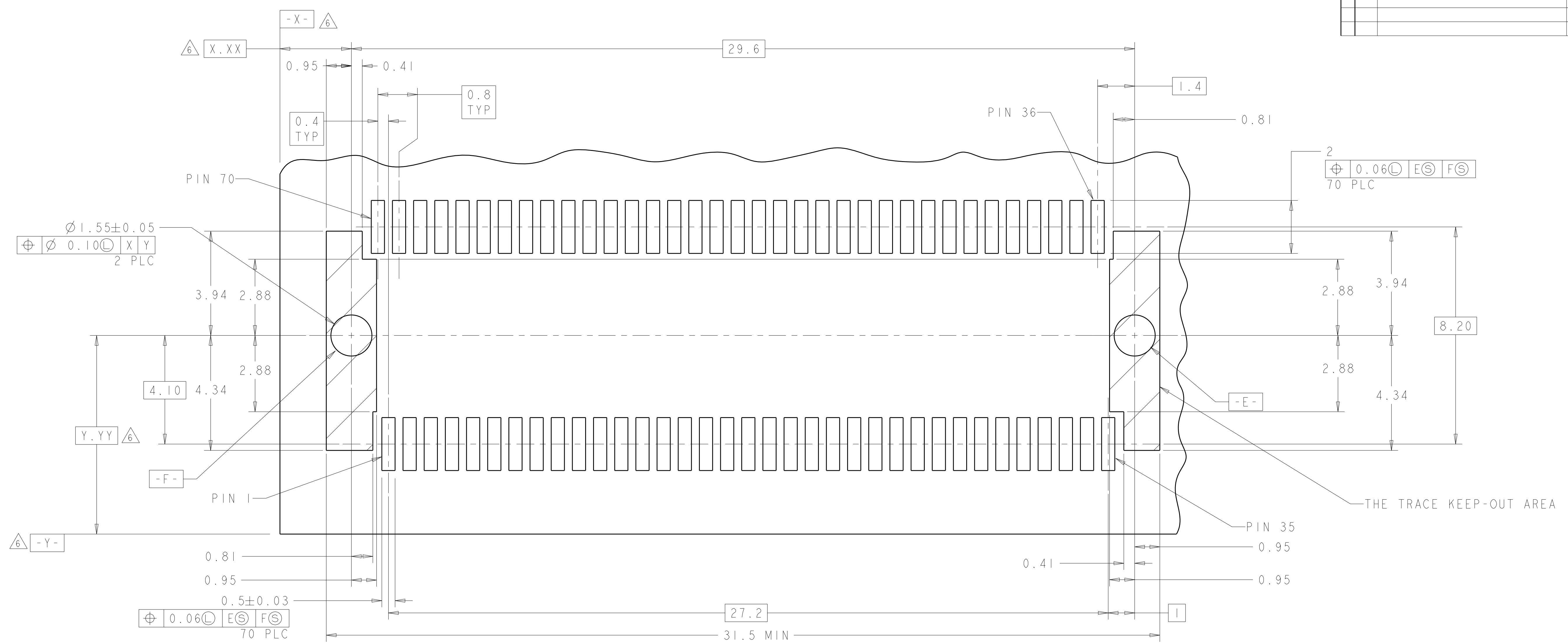
YES	△1	1367337-4
YES	△3	1367337-3
NO	△7	1367337-2
NO	△3	1367337-1
DATE CODE	FINISH	PART NUMBER

THIS DRAWING IS A CONTROLLED DOCUMENT.

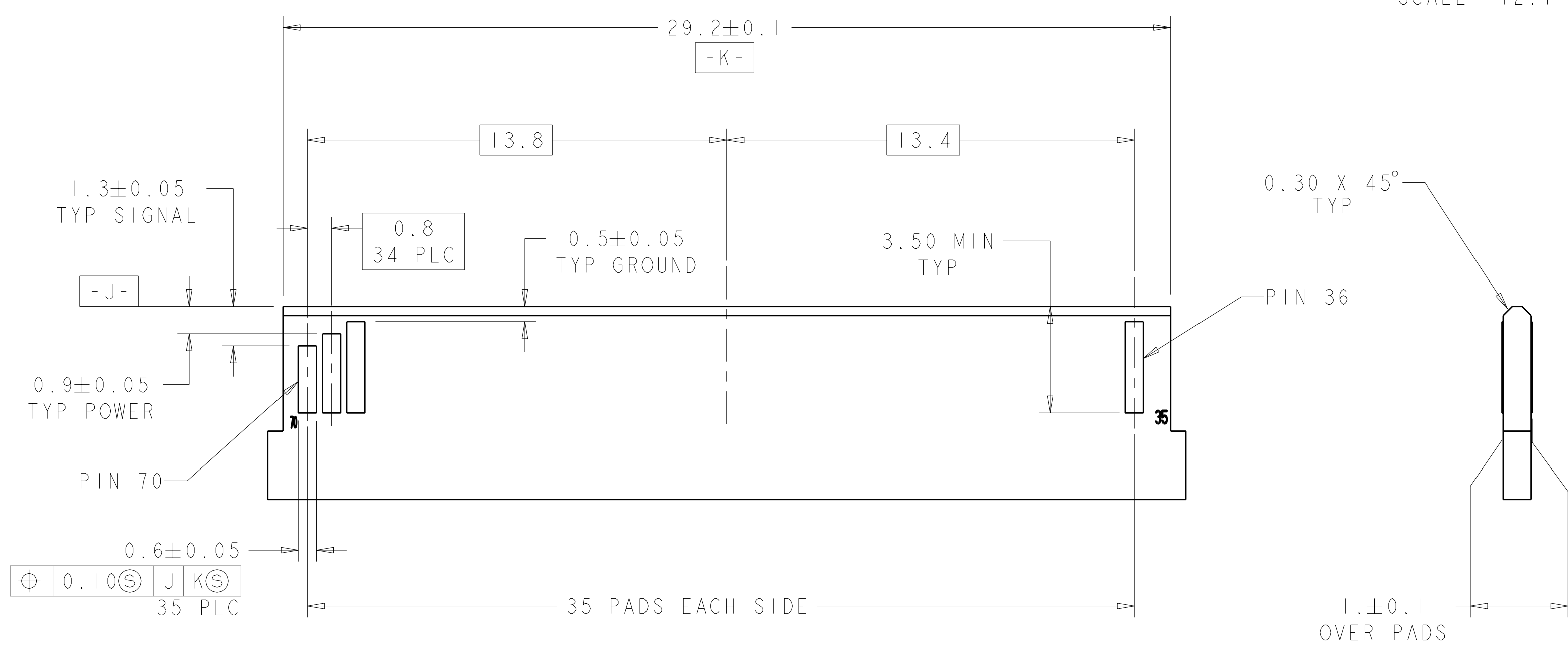
DIMENSIONS:	TOLERANCES UNLESS OTHERWISE SPECIFIED:	OWN: D. BROCKWAY 12FEB01	DATE: 08JUN01	NAME: PT CONNECTOR ASSEMBLY, 70 POSITION, RTANG, 0.8MM
mm	0 PLC ±	CHK: J. KOPPENHEFFER	DATE: 08JUN01	SIZE: CAGE CODE DRAWING NO
	1 PLC ±0.10	APVD: S. GOOD	DATE: 08JUN01	RESTRICTED TO
	2 PLC ±	PRODUCT SPEC		A100779C=1367337
	3 PLC ±	108-1949		SCALE 8:1 SHEET 1 OF 2 REV H4
	4 PLC ±	APPLICATION SPEC		
	ANGLES ±	114-13017		
MATERIAL	FINISH	WEIGHT		
△2	SEE TABLE	CUSTOMER DRAWING		

LOC	DIST	REV	DATE	BY	APPROV
ES	00				

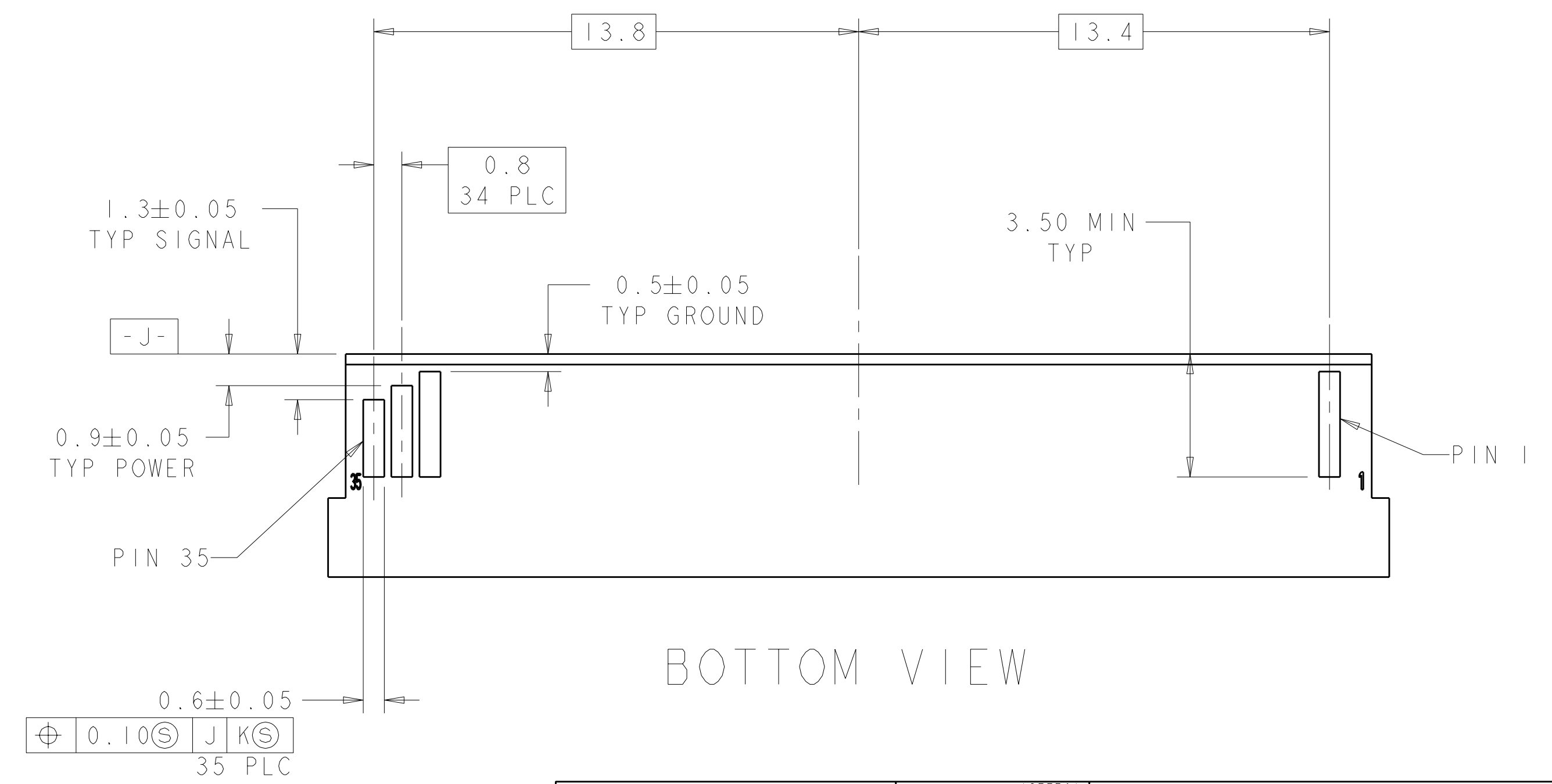
REVISIONS		DATE	BY	APPROV
1	SEE SHEET 1			



RECOMMENDED PCB LAYOUT DETAIL
 CONNECTOR MOUNTING SIDE
 SCALE 12:1



TOP VIEW



BOTTOM VIEW

RECOMMENDED LAYOUT DETAIL
 MATING PCB

THIS DRAWING IS A CONTROLLED DOCUMENT.		DWN: D. BROCKWAY 12FEB01		REV: J. KOPPENHEFFER 08JUN01	
DIMENSIONS:		TOLERANCES UNLESS OTHERWISE SPECIFIED:		MATERIAL:	
mm	9 PLC ±	0.10	J	K	35 PLC
	8 PLC ±	0.10	J	K	35 PLC
	7 PLC ±	0.10	J	K	35 PLC
	6 PLC ±	0.10	J	K	35 PLC
	5 PLC ±	0.10	J	K	35 PLC
	4 PLC ±	0.10	J	K	35 PLC
	3 PLC ±	0.10	J	K	35 PLC
	2 PLC ±	0.10	J	K	35 PLC
	1 PLC ±	0.10	J	K	35 PLC
	0 PLC ±	0.10	J	K	35 PLC
	ANGLES	±			
	FINISH	±			
MATERIAL:		FINISH:		WEIGHT:	
SEE TABLE		SEE TABLE		SEE TABLE	
CUSTOMER DRAWING		CUSTOMER DRAWING		CUSTOMER DRAWING	
SCALE: 8:1		SHEET: 2 OF 2		REV: H4	