

## 1375055-2 Product Details



**1375055-2**

TE Internal Number: 1375055-2



### Cable Mounted Jacks

 [Converted to EU RoHS/ELV Compliant](#)  
(Statement of Compliance)

#### Product Highlights:

- Connector - Modular
- Region = Asia, EMEA, Latin America, North America, Australia/New Zealand
- Jack Type = RJ45, UTP
- Performance Category = Cat 6
- Not Shielded

### Documentation & Additional Information

#### Product Drawings:

- [ASSEMBLY, SL 110 JACK, CAT 6](#) (PDF, English)

#### Catalog Pages/Data Sheets:

- None Available

#### Product Specifications:

- [SL Series Jacks, Category 6](#) (PDF, English)
- [NETCONNECT SL Series Jacks and Category 6 Plugs](#) (PDF, English)
- [NETCONNECT\\* SL Series Category 6 Jacks](#) (PDF, English)

#### Application Specifications:

- None Available

#### Instruction Sheets:

- [SL, KL, and Secure SL Series 110Connect Modular Jacks](#) (PDF, English)

#### CAD Files: (CAD Format & Compression Information)

- [2D Drawing](#) (DXF, Version S)
- [3D Model](#) (IGES, Version S)
- [3D Model](#) (STEP, Version S)

#### Additional Information:

- [Product Line Information](#)

#### Related Products:

- [Tooling](#)

### Product Features (Please use the Product Drawing for all design activity)

#### Product Type Features:

- Product Type = Connector - Modular
- Jack Type = RJ45, UTP
- [Performance Category](#) = Cat 6
- Termination Style = SL Termination Tool
- Series = SL Series
- Wiring Pattern = Universal
- [Keyed](#) = No

#### Electrical Characteristics:

- Shielded = No

#### Dimensions:

- Conductor Outer Diameter (mm [in]) = 1.45 [0.057]

#### Body Features:

- Mount Type = Panel Mount, SL Series Faceplate
- Wire Range (Solid) (mm [AWG]) = 0.65 [22], 0.51 [24]
- Wire Range (Stranded) (mm<sup>2</sup> [AWG]) = 0.14<sup>2</sup> [26], 0.20<sup>2</sup> [24]
- 110 Block Material = Polycarbonate

#### Contact Features:

- Contact Base Material = Beryllium Copper
- Contact Plating, Mating Area, Material = Gold
- Contact Plating, Mating Area, Thickness (µm [µin]) = 1.27 [50]

#### Housing Features:

- Housing Color = Black
- Housing Material = Polycarbonate
- UL Flammability Rating = UL 94V-0

#### Configuration Features:

- Dust Cover = Without
- Number of Positions = 8

#### Industry Standards:

- [RoHS/ELV Compliance](#) = RoHS compliant, ELV compliant
- [Lead Free Solder Processes](#) = Not relevant for lead free process
- RoHS/ELV Compliance History = Converted to comply with RoHS directive

#### Packaging Features:

- Packaging Method = Poly Bag
- Packaging Quantity = 1

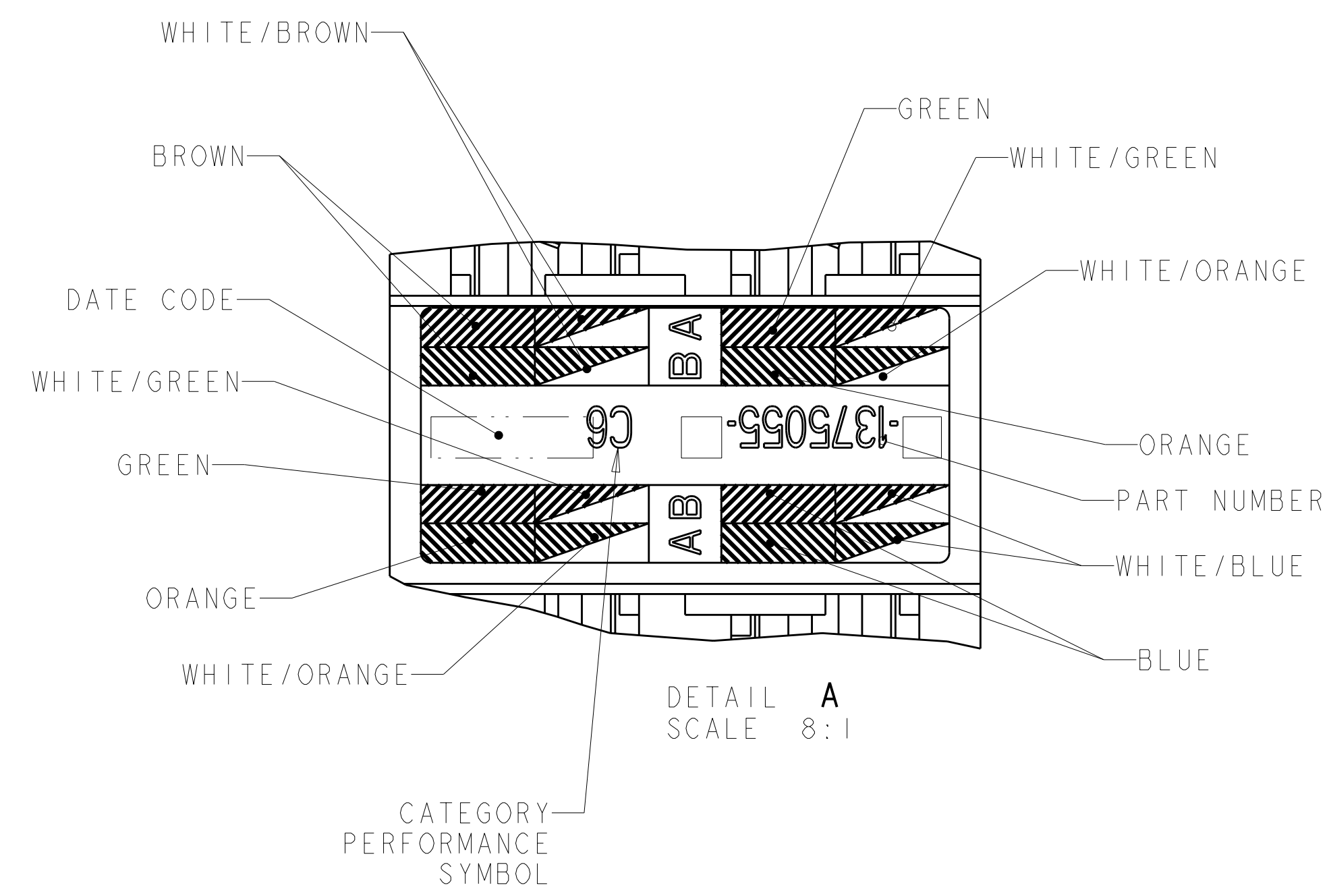
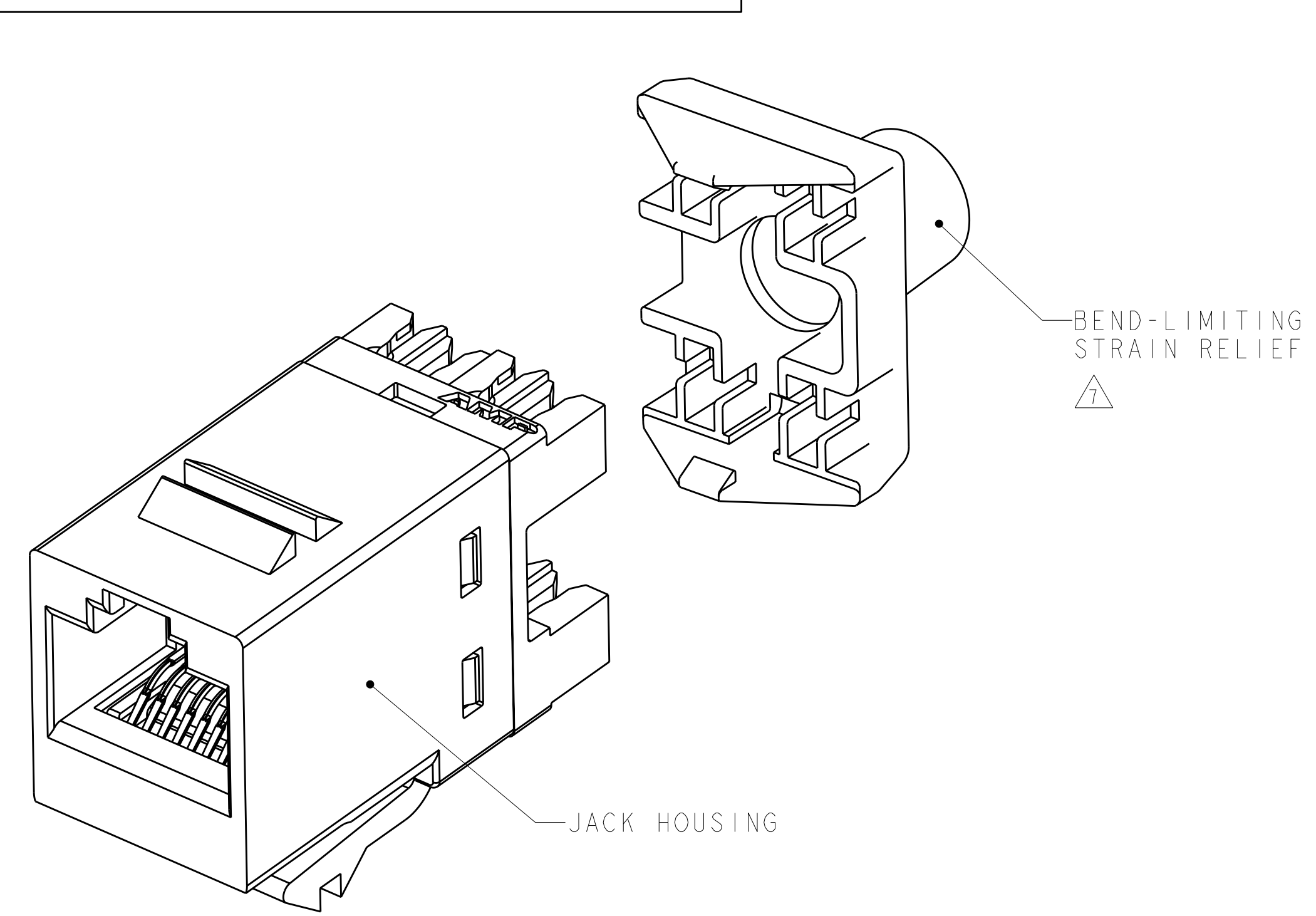
#### Product Availability:

- Region = Asia, EMEA, North America, Latin America, Australia/New Zealand

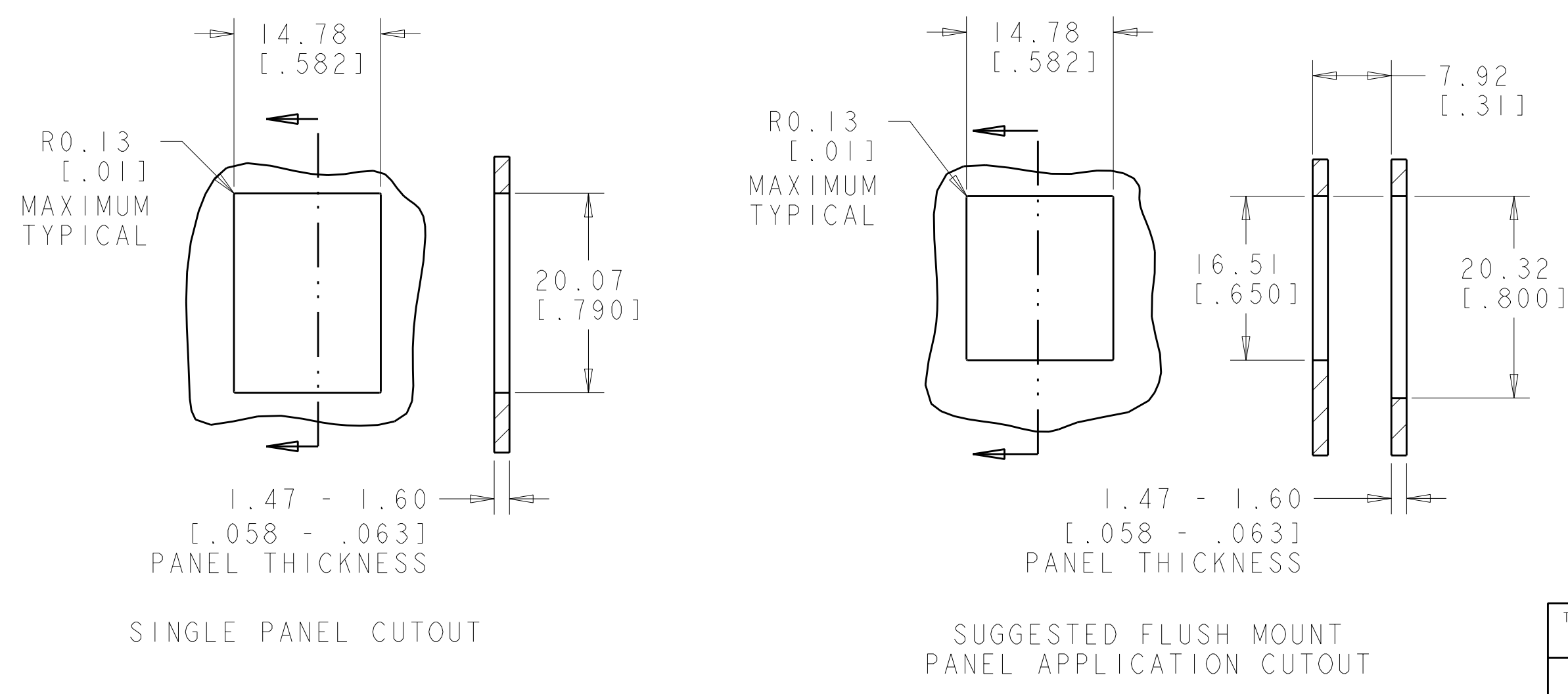
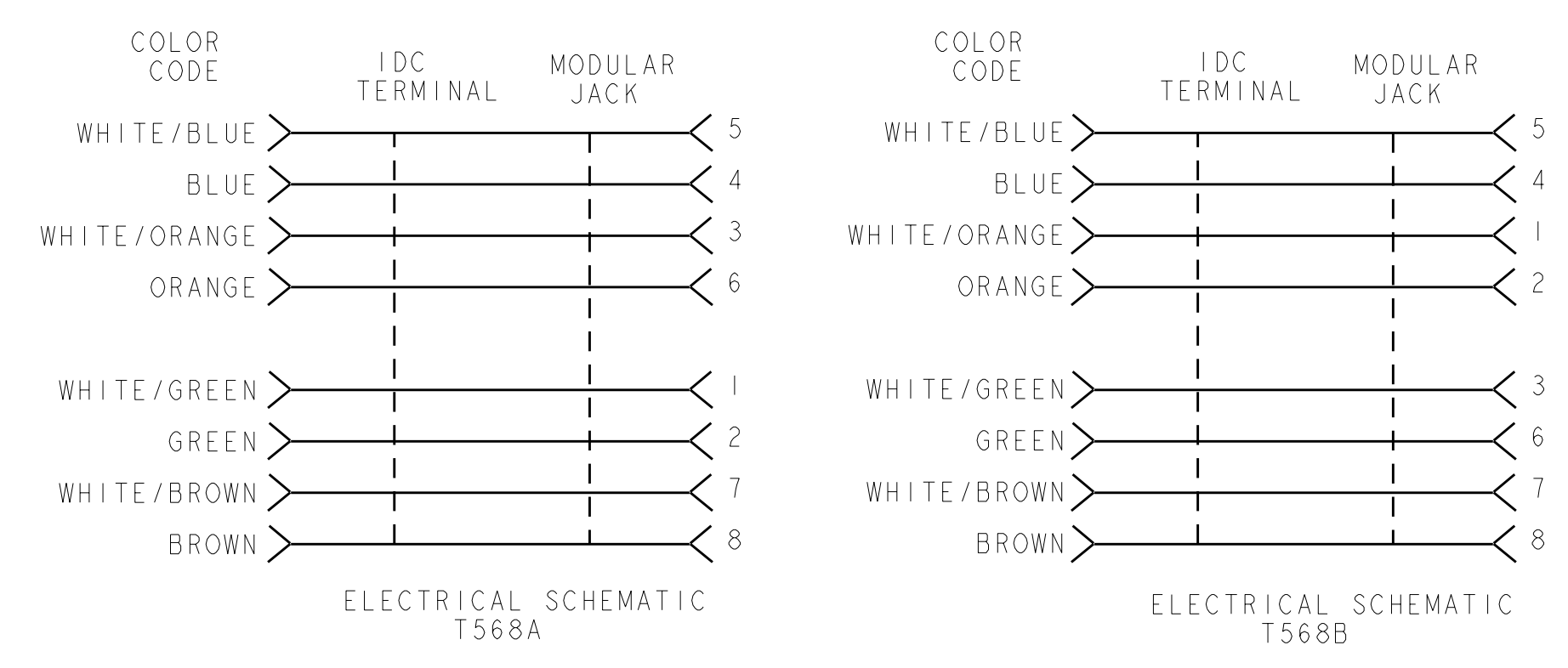
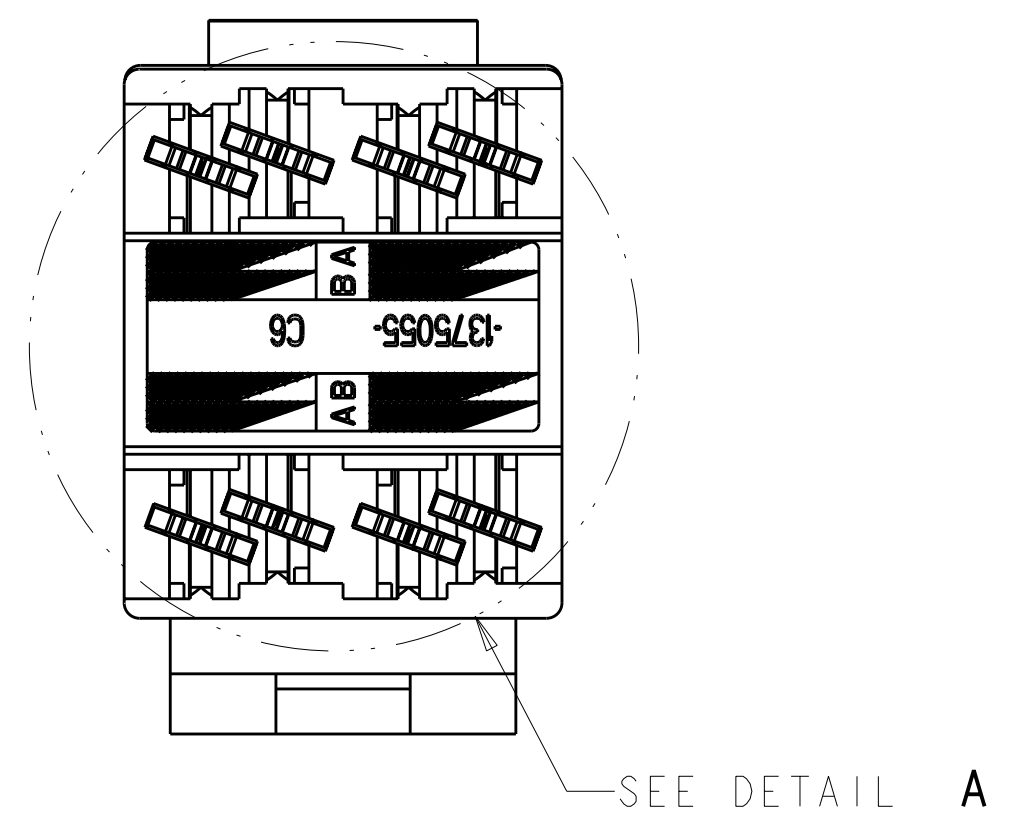
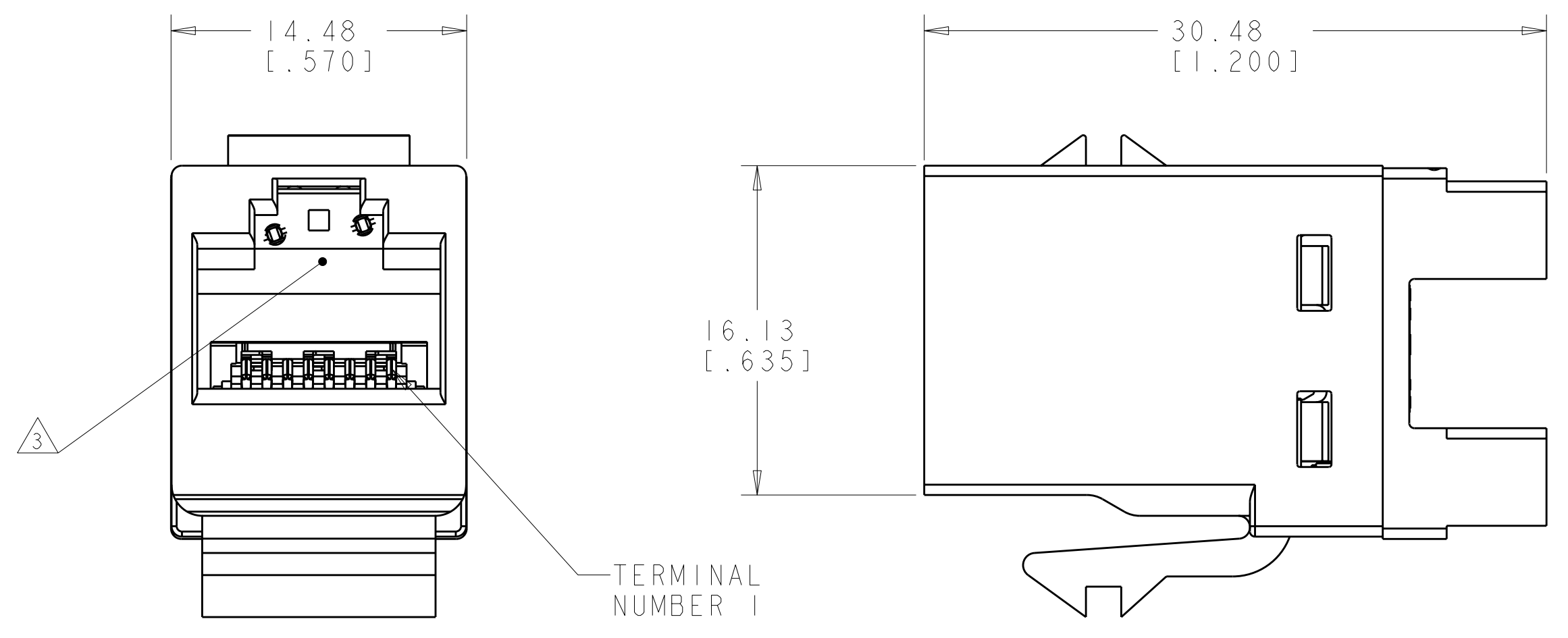
#### Other:

- Brand = TE Connectivity
- Comment = With strain relief.

LOC	DIST	REV	DATE	BY	CHKD	APVD
HM	00	M1	09MAY2011	RK	HMR	
		N	27OCT2011	GG	SA	



- 1. MATERIAL: JACK HOUSING - POLYCARBONATE, 94V-0 RATED. 110 BLOCK AND BEND LIMITING STRAIN RELIEF - POLYCARBONATE. ARRAY TRAY - PBT POLYESTER. JACK CONTACTS ARRAY - BERYLLIUM COPPER, PLATED WITH 1.27µm [.000050] MINIMUM THICK GOLD IN LOCALIZED AREA AND 3.81µm [.000150] MINIMUM THICK MATTE TIN IN BOARD INTERFACE AREA OVER 1.27µm [.000050] MINIMUM THICK NICKEL UNDERPLATE. IDC TERMINALS - PHOSPHOROUS BRONZE, PLATED WITH 3.81µm [.00015] MINIMUM THICK MATTE TIN OVER 1.27µm [.00005] MINIMUM THICK NICKEL UNDERPLATE.
- 2. SL 110 JACK WILL TERMINATE 22-24 AWG SOLID AND 24-26 AWG STRANDED CONDUCTORS, 1.27[.050] MAXIMUM INSULATION DIAMETER. JACK WILL ACCEPT CONDUCTORS UP TO 1.45 [.057] BUT REQUIRE THE USE OF A STRAIN RELIEF.
- 3. CAVITY CONFORMS TO FCC RULES AND REGULATIONS) PART 68 SUBPART F REQUIREMENTS.
- 4. MOUNTING PANEL THICKNESS 1.47 - 1.60 [.058 - .063].
- 5. THESE TWO SUGGESTED CUTOUT OPENINGS ARE USED IN TANDEM WITH DUAL FRONT AND BACK CUTOUTS.
- 6. ONE MODULAR JACK ASSEMBLY PER POLYBAG.
- 7. USE IS OPTIONAL.
- 8. TWENTY FIVE MODULAR JACKS PER POLYBAG.
- 9. REFER TO 408-8858 FOR TERMINATION INSTRUCTIONS USING SL SERIES TOOL TERMINATION. REFER TO 408-8417 FOR TERMINATION INSTRUCTIONS USING 110 PUNCH DOWN TOOL.



HOUSING COLOR	PART NUMBER
ALPINE WHITE	3-1375055-3
ELECTRIC IVORY	3-1375055-1
VIOLET	3-1375055-0
GREEN	2-1375055-9
YELLOW	2-1375055-8
RED	2-1375055-7
BLUE	2-1375055-6
ORANGE	2-1375055-5
NEMA GRAY	2-1375055-4
WHITE	2-1375055-3
BLACK	2-1375055-2
LIGHT ALMOND	2-1375055-1
ALPINE WHITE	1-1375055-3
ELECTRIC IVORY	1-1375055-1
VIOLET	1-1375055-0
GREEN	1375055-9
YELLOW	1375055-8
RED	1375055-7
BLUE	1375055-6
ORANGE	1375055-5
NEMA GRAY	1375055-4
WHITE	1375055-3
BLACK	1375055-2
LIGHT ALMOND	1375055-1

THIS DRAWING IS A CONTROLLED DOCUMENT.

OWN: T. PITTS 18OCT2001  
 CHK: L. SMITH 13MAR2001  
 APVD: B. TRIPPE 13MAR2001

NAME: ASSEMBLY, SL 110 JACK, CAT 6

PRODUCT SPEC: 108-1990-3  
 APPLICATION SPEC: 108-1990-3

SIZE: A1  
 CAGE CODE: 100779  
 DRAWING NO: C=1375055

SCALE: 6:1 SHEET: 1 OF 1 REV: N