

Distributed by:

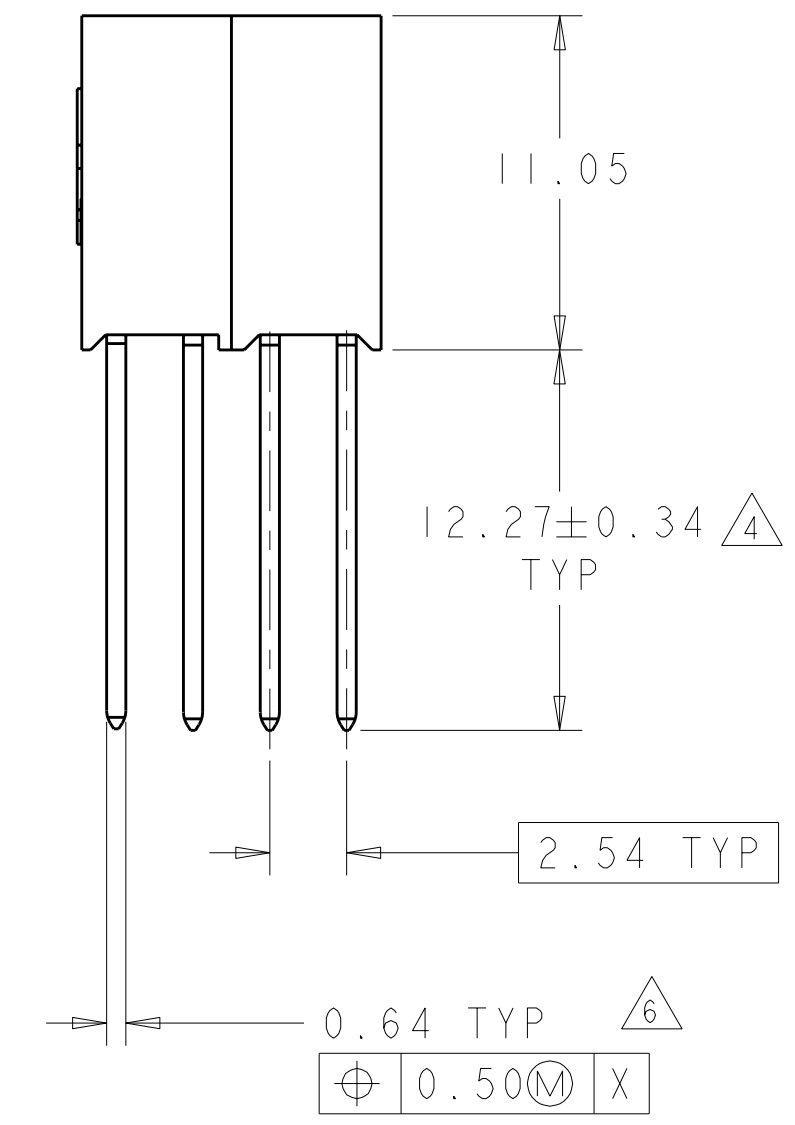
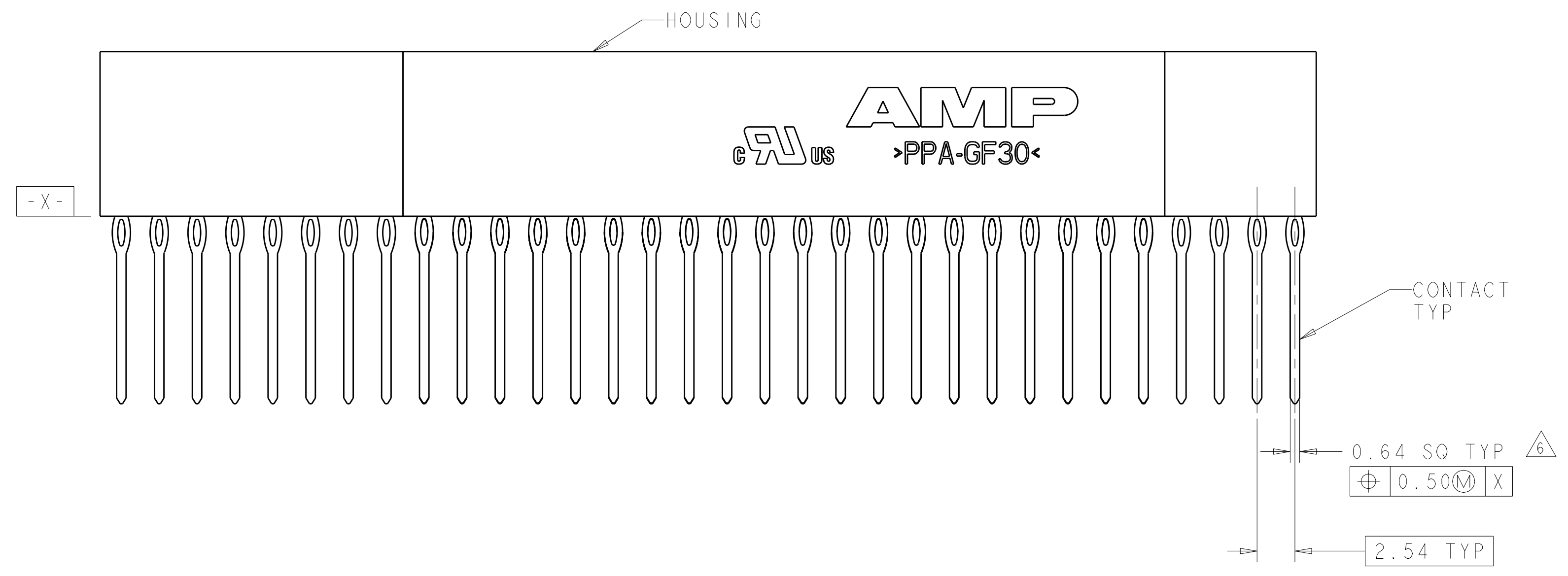
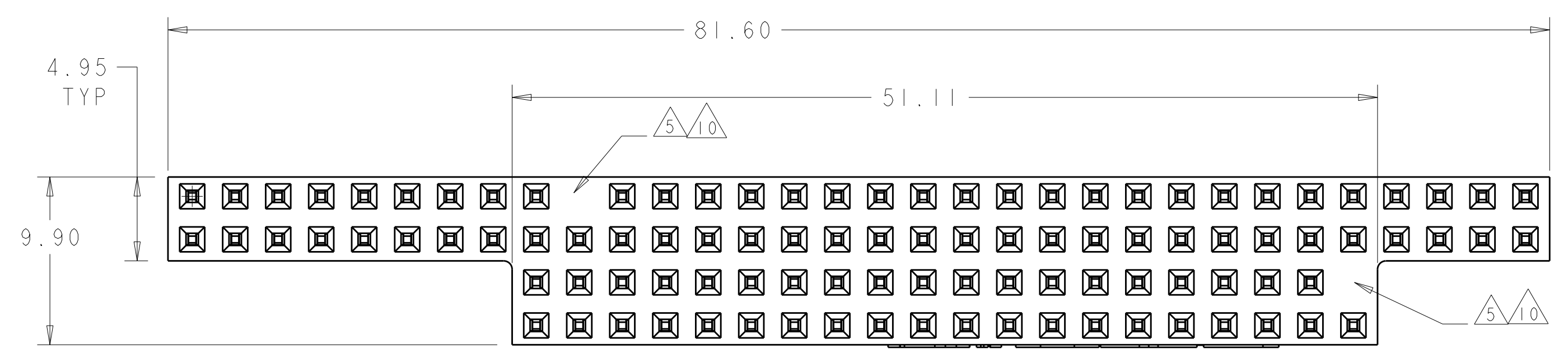
**JAMECO**<sup>®</sup>  
ELECTRONICS

**www.Jameco.com ♦ 1-800-831-4242**

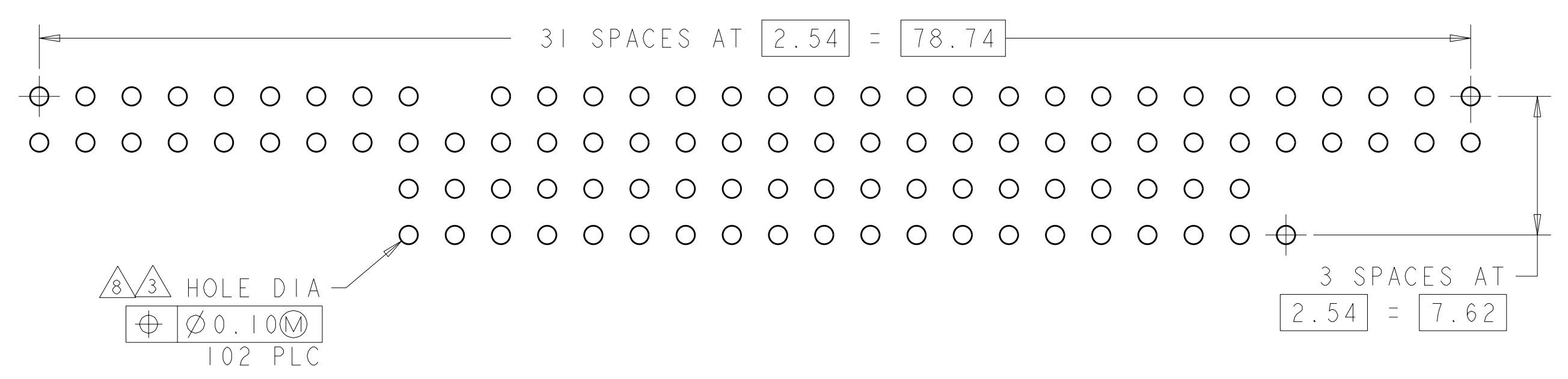
The content and copyrights of the attached  
material are the property of its owner.

Jameco Part Number 897807

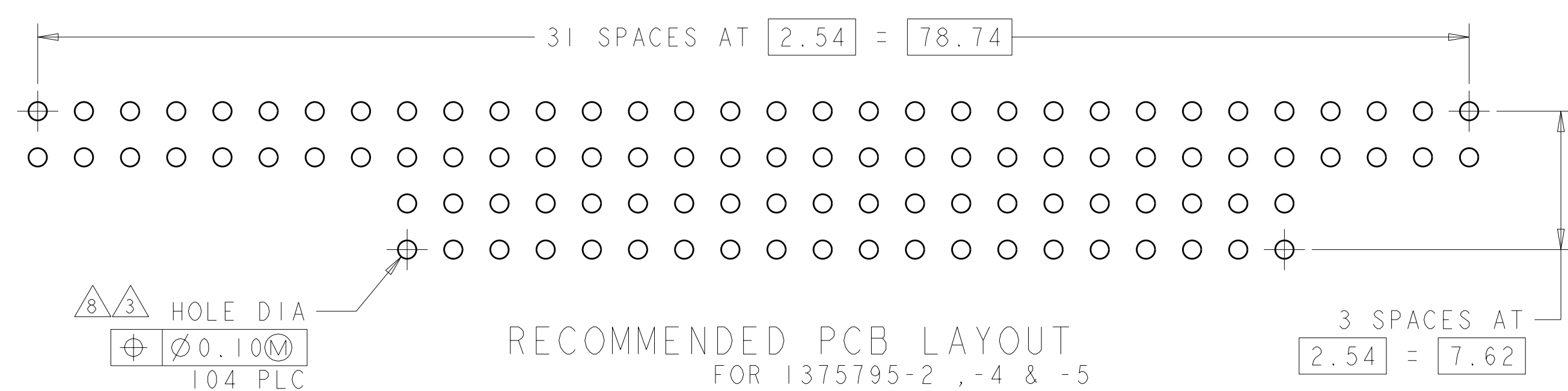
LOC	DIST	REV	DATE	BY	APPD
AD	00				
		D	26AUG2004	MB	JO
		E	28SEP2004	MB	JO
		F	31AUG2005	RB	JO
		G	28SEP2006	MB	JO



- △ HOUSING: HIGH TEMPERATURE, GLASS FILLED NYLON, COLOR: BLACK.  
CONTACTS: PHOSPHOR BRONZE
- △ CONTACTS: 0.00038 MIN GOLD ON MATING RECEPTACLE END, 0.00013 MIN GOLD ON REMAINDER, ALL OVER 0.00127 NICKEL.
- △ PCB HOLE RECOMMENDATIONS:  
A. DRILL HOLE DIAMETER TO BE 1.15±0.02.  
B. PLATING TO BE 0.005 MIN TIN-LEAD OVER 0.025-0.075 COPPER.  
C. RECOMMENDED FINISH HOLE SIZE IS 1.03±0.08.
- △ DIMENSION AFTER SEATING TO PCB.
- △ NO CONTACT IN THIS POSITION, FOR PART NUMBER 1375795-1, -3, & -5 ONLY
- △ POSITION TOLERANCE APPLIES AFTER CONNECTOR IS PRESSED ONTO PC BOARD.
- △ CONTACTS: 0.00038 MIN GOLD ON MATING RECEPTACLE END, 0.00250--0.00508 MATTE TIN ON COMPLIANT AREA, 0.00013 MIN GOLD ON REMAINDER, ALL OVER 0.00127 NICKEL.
- △ PCB HOLE RECOMMENDATIONS FOR SILVER IMMERSION PLATING:  
A. DRILL HOLE DIAMETER TO BE 1.18±0.05  
B. PLATING TO BE 0.000152-0.000406 SILVER OVER 0.025-0.075 COPPER.  
C. RECOMMENDED FINISH HOLE SIZE IS 1.13±0.07.
- △ ROHS 2002/95/EC COMPLIANT PART TO BE USED WITH ROHS 2002/95/EC COMPLIANT PCB'S.
- △ HOUSING CONTACT CAVITIES MOLDED SHUT FOR PART NUMBERS 1375795-1 & -3 ONLY



RECOMMENDED PCB LAYOUT FOR 1375795-1 & -3



RECOMMENDED PCB LAYOUT FOR 1375795-2, -4 & -5

FINISH	KEYED CIRCUITS	PART NO
NO	NO	1375795-5
NO	NO	1375795-4
YES	YES	1375795-3
NO	NO	1375795-2
YES	YES	1375795-1

DIMENSIONS: mm TOLERANCES UNLESS OTHERWISE SPECIFIED: 9 PLC ± 1 PLC ±0.13 5 PLC ± 4 PLC ± ANGLES ±		DWN: W.G. LENKER 02JUN2000 CHK: L. BREKOSKY 15JAN2001 APVD: J. OLSON 13JUN2001		Tyco Electronics Harrisburg, PA 17105-3608	
MATERIAL:		FINISH:		NAME: ASSEMBLY, PC/104, STACKTHROUGH CONTACTS, PRESS FIT	
CUSTOMER DRAWING		WEIGHT: - SCALE: 3:1		SIZE: CAGE CODE DRAWING NO: 00779 C=1375795 SHEET 1 OF 1 REV G	