



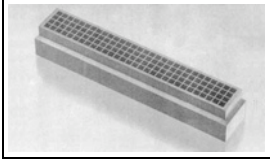
Have a Question?
Chat with a Product Information Specialist

What can we help you find?

[Products](#) [Industries](#) [Resources](#) [About TE](#) [My Account](#) [Innovation](#) [Support Center](#)

1375801-1 Product Details

[Share](#) [Print](#) [Email](#)



1375801-1

TE Internal Number: 1375801-1

Active

[View 3D PDF](#)

PC/104 and PC/104 Plus

Always EU RoHS/ELV Compliant (Statement of Compliance)

Product Highlights:

- Accessory
- Accessory Type = Shroud
- 120 Positions
- 120 Loaded Positions
- RoHS compliant, ELV compliant

[View all Features](#)

Quick Links

- ▶ [Pricing & Availability](#)
- ▶ [Search for Tooling](#)
- ▶ [Product Feature Selector](#)
- ▶ [Contact Us About This Product](#)

[Add to My Part List](#) [Request Sample](#) [Find Similar Products](#) [Buy Product](#)

Documentation & Additional Information

Product Drawings:

- [SHROUD, 120 POSITION, PC104 PLUS \(PDF, English\)](#)

Catalog Pages/Data Sheets:

- [AMPMODU_INTERCONNECTION_SYSTEM_SECTION1AND2 \(PDF, English\)](#)

Product Specifications:

- [PC/104 and PC/104-Plus Connector Systems \(PDF, English\)](#)

Application Specifications:

- [PC/104 and PC/104-Plus Connectors \(PDF, English\)](#)

Instruction Sheets:

- None Available

CAD Files: [\(CAD Format & Compression Information\)](#)

- [2D Drawing \(DXF, Version 0\)](#)
- [3D Model \(IGES, Version 0\)](#)
- [3D Model \(STEP, Version 0\)](#)

[List all Documents](#)

Additional Information:

- [Product Line Information](#)

Related Products:

- [Tooling](#)

Product Features (Please use the Product Drawing for all design activity)

Product Type Features:

- Product Type = Accessory
- Accessory Type = Shroud

Housing Features:

- Housing Material = PBT - GF
- Housing Color = Black
- UL Flammability Rating = UL 94V-0

Configuration Features:

- Number of Positions = 120
- Number of Loaded Positions = 120

Industry Standards:

- [RoHS/ELV Compliance](#) = RoHS compliant, ELV compliant
- [Lead Free Solder Processes](#) = Not relevant for lead free process
- [RoHS/ELV Compliance History](#) = Always was RoHS compliant

Other:

- Brand = AMP
- Comment = See Specific Info Link for information on a PC/104 Extraction Tool.

Corporate Information

- [About TE](#)
- [Investors](#)
- [News Room](#)
- [Supplier Portal](#)
- [Careers](#)
- [Terms & Conditions](#)
- [Privacy Policy](#)

Quick Links

- [Distributor Inventory](#)
- [Product Cross Reference](#)
- [Documents & Drawings](#)
- [Product Compliance Support Center](#)
- [Site Map](#)

Customer Support

- [Email or Chat With Us](#)
- [Find a Phone Number](#)
- [Knowledge Base](#)
- [Manage Your Account](#)

Keep Me Informed

4

3

2

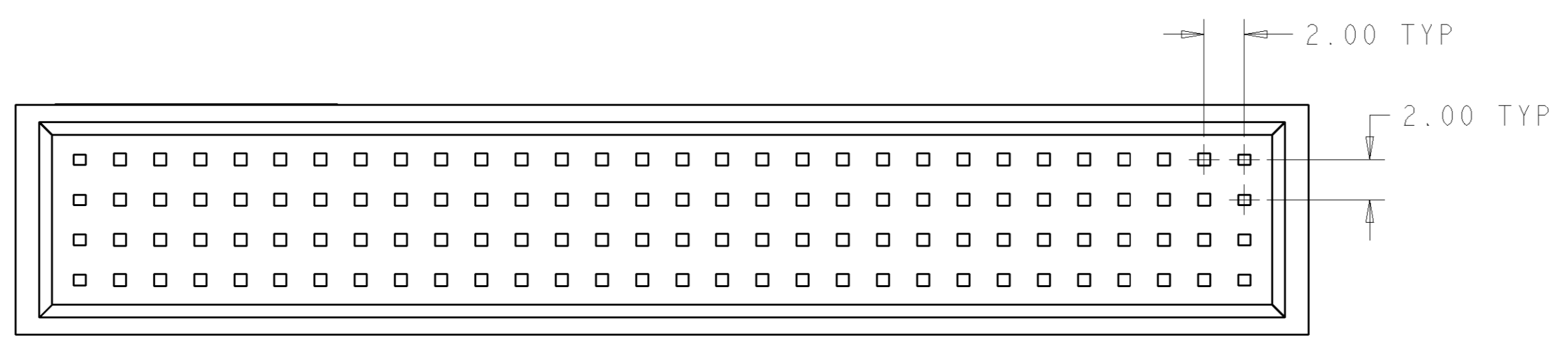
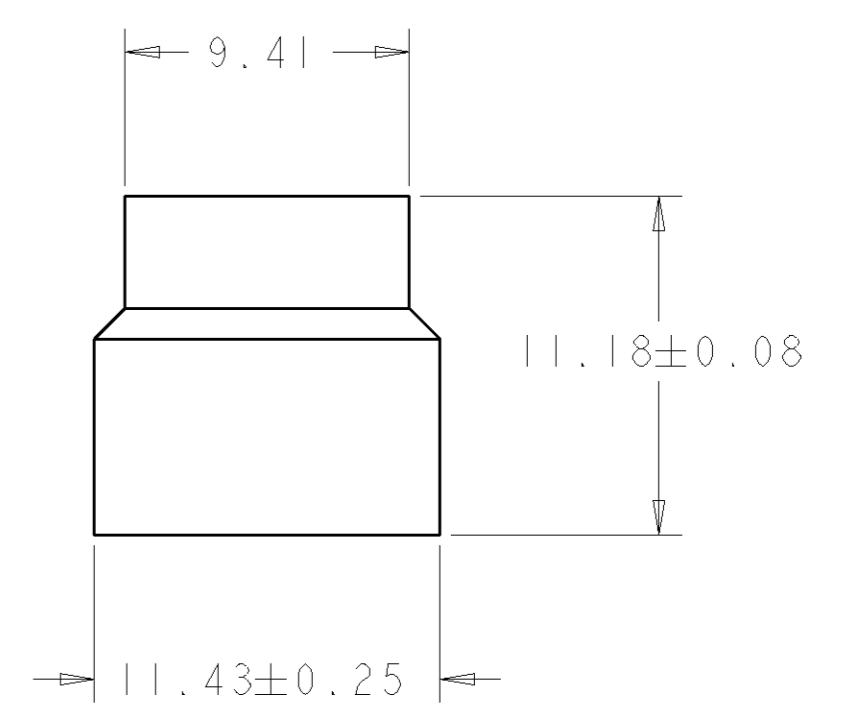
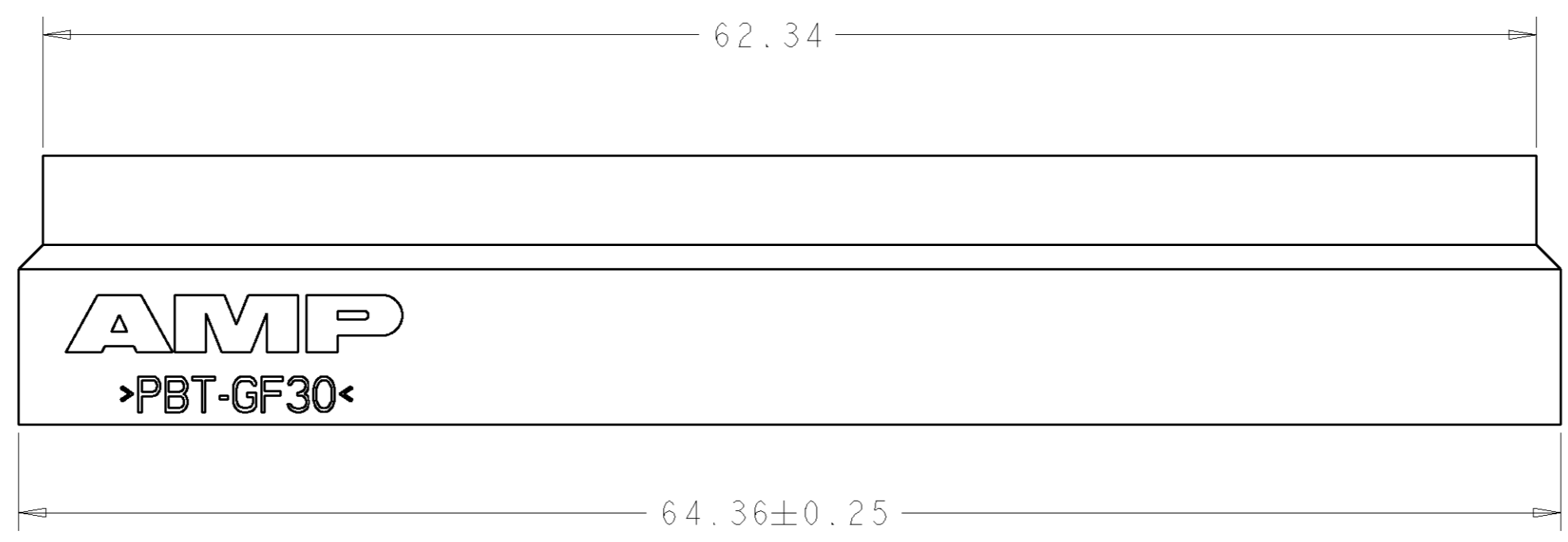
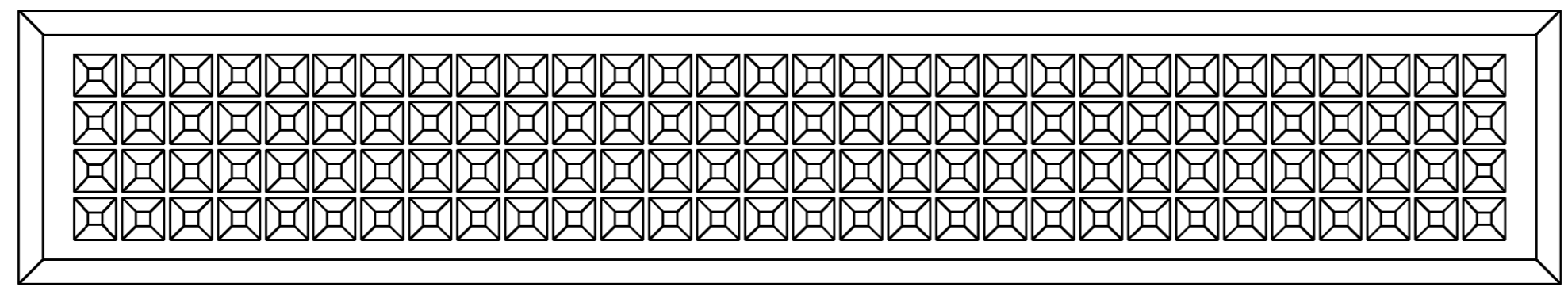
1

THIS DRAWING IS UNPUBLISHED. RELEASED FOR PUBLICATION 20

© COPYRIGHT BY ALL RIGHTS RESERVED.

LOC	DIST	REVISIONS			
P	LTR	DESCRIPTION	DATE	DWN	APVD
AD	00				
P		REVISED PER ECO-11-005294	30APR11	RK	HMR

⚠ MATERIAL: PBT POLYESTER, UL94V0, COLOR, BLACK.



1375801-1
PART NO

DIMENSIONS: mm 		TOLERANCES UNLESS OTHERWISE SPECIFIED: 0 PLC ± 1 PLC ± 2 PLC ±0.13 3 PLC ± 4 PLC ± ANGLES ± FINISH -		DWN W.G. LENKER 27SEP2000 CHK J. OLSON 13JUN2001 APVD J. OLSON 13JUN2001 PRODUCT SPEC - APPLICATION SPEC - WEIGHT -		STE TE Connectivity NAME - SHROUD, 120 POSITION, PCI04 PLUS SIZE A2 CAGE CODE 00779 DRAWING NO. 1375801 RESTRICTED TO -	
MATERIAL - ⚠				CUSTOMER DRAWING		SCALE 4:1 SHEET OF REV P	