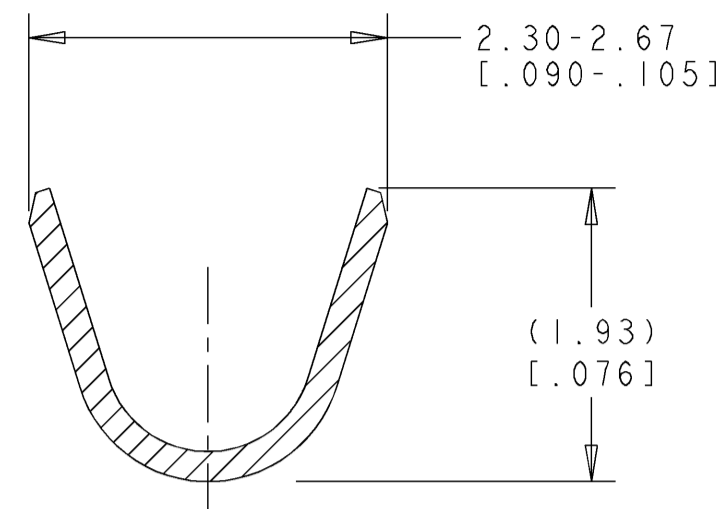
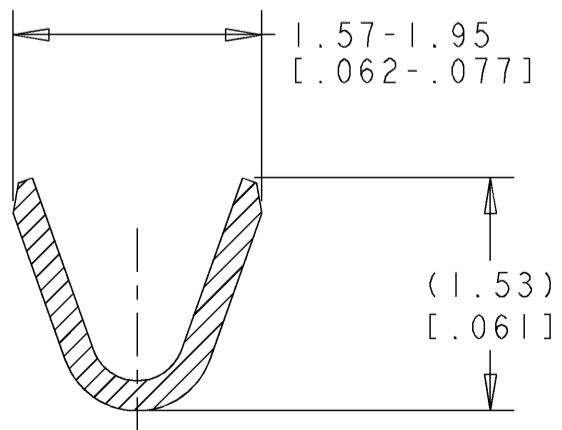
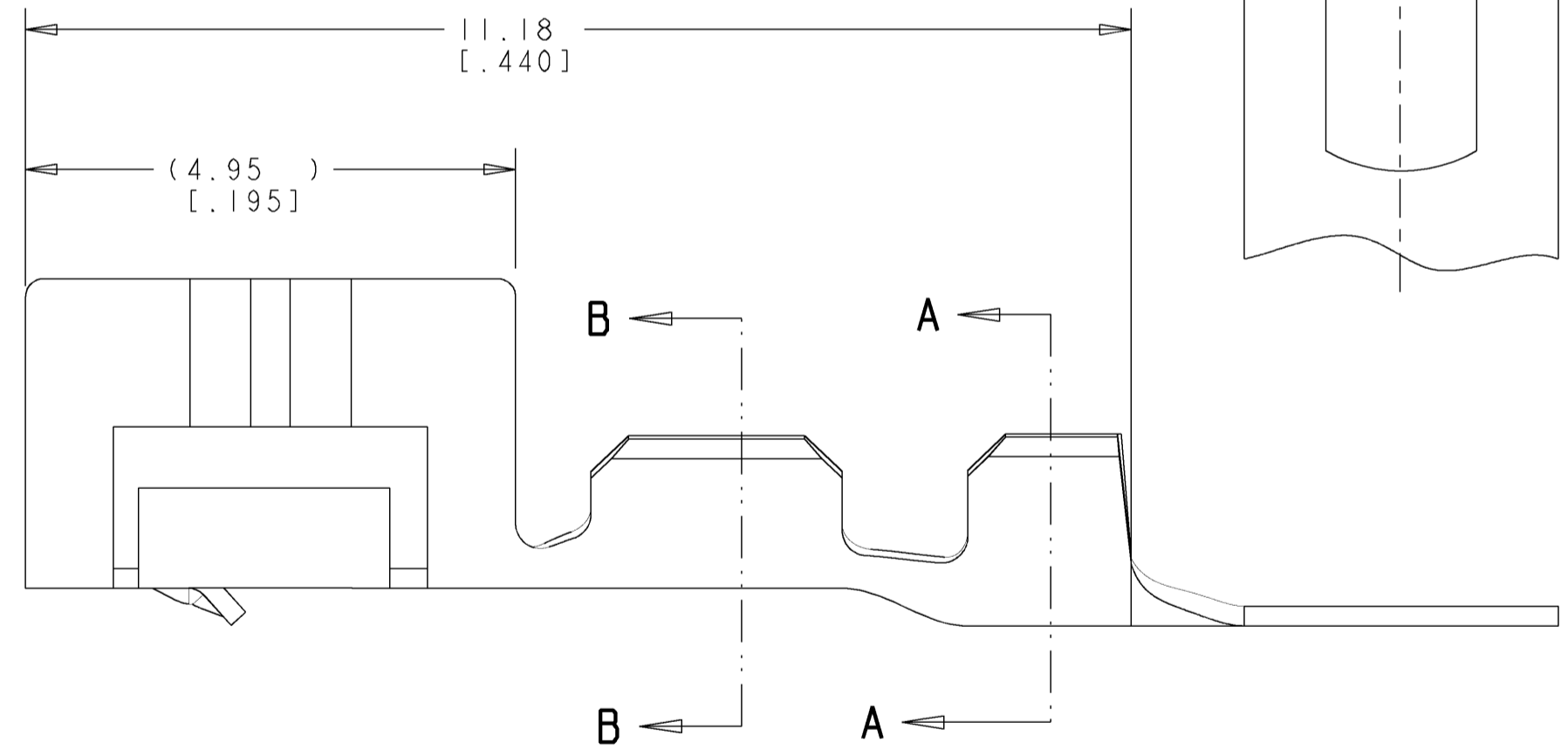
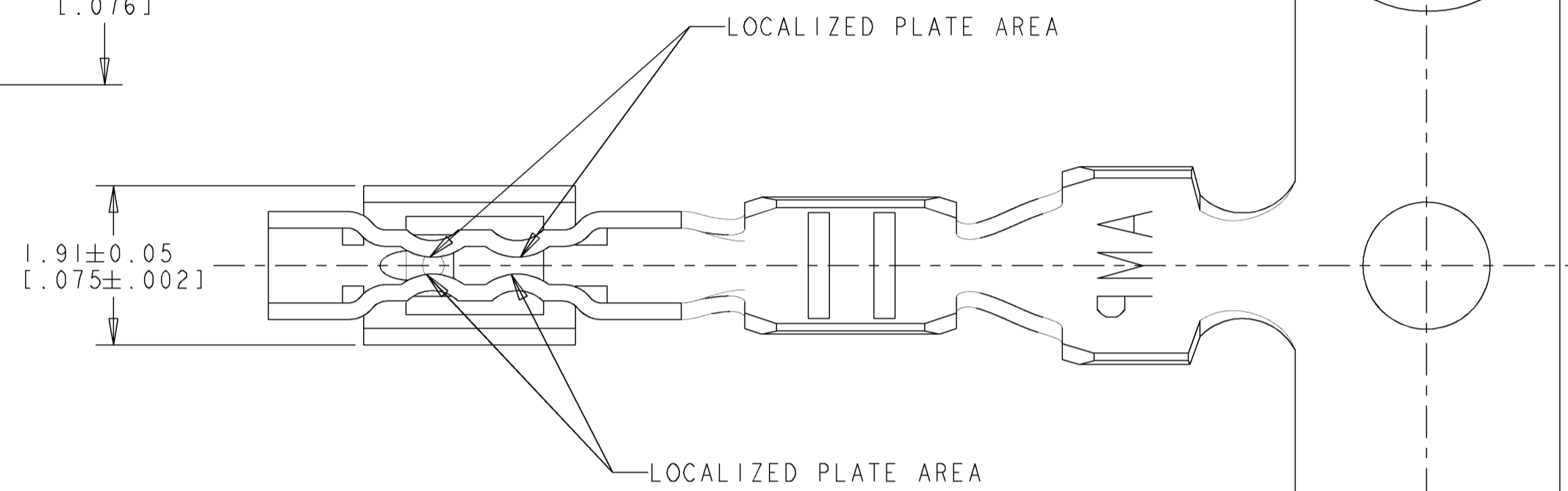


THIS DRAWING IS UNPUBLISHED. RELEASED FOR PUBLICATION 20
 © COPYRIGHT 20 BY - ALL RIGHTS RESERVED.

LOC	DIST	REVISIONS					
GP	00	P	LTR	DESCRIPTION	DATE	DWN	APVD
			BI	REVISED PER ECO-11-004835	11MAR2011	RK	HMR



SECTION A-A
SCALE 20:1



SECTION B-B
SCALE 20:1

- WIRE RANGE .13 - .35 mm² (26 -22 AWG).
- INSULATION RANGE 0.89 - 1.65 [.035 - .065].
- 0.00038 [.000015] MIN GOLD STRIPE IN LOCALIZED AREA OVER 0.00127 [.000050] MIN NICKEL OVER ENTIRE CONTACT -OR- GOLD FLASH OVER PALLADIUM-NICKEL .00038 [.000015] MIN TOTAL IN LOCALIZED AREA OVER .00127 [.000050] MIN NICKEL OVER ENTIRE CONTACT.
- 0.00076 [.000030] MIN GOLD STRIPE IN LOCALIZED AREA OVER 0.000127 [.000050] MIN NICKEL OVER ENTIRE CONTACT -OR- GOLD FLASH OVER PALLADIUM-NICKEL .00076 [.000030] MIN TOTAL IN LOCALIZED AREA OVER .00127 [.000050] MIN NICKEL OVER ENTIRE CONTACT.
- NOT FOR USE IN HOUSING PART NUMBER 770602.
- CONTACTS COATED WITH ANTI-FRETTING LUBRICANT.

4	PH BRZ	1375819-3
3	PH BRZ	1375819-2
PRE-TIN	PH BRZ	1375819-1
FINISH	MATERIAL	PART NUMBER



THIS DRAWING IS A CONTROLLED DOCUMENT.

DWN	K. WHITAKER	21-JUNE-2001
CHK	J. ELLIS	21-JUNE-2001
APVD	J. ELLIS	21-JUNE-2001

STE TE Connectivity

CONTACT, CST 100 11

SIZE	A2	CAGE CODE	00779	DRAWING NO	1375819	RESTRICTED TO	-
MATERIAL	SEE TABLE	TOLERANCES UNLESS OTHERWISE SPECIFIED:	SEE TABLE	PRODUCT SPEC	108-1948	SCALE	15:1
0 PLC	±	1 PLC	±	APPLICATION SPEC	114-13036	SHEET	1
2 PLC	±0.13 [.005]	3 PLC	±	WEIGHT	-	OF	1
4 PLC	±	ANGLES	±	CUSTOMER DRAWING		REV	BI
FINISH							