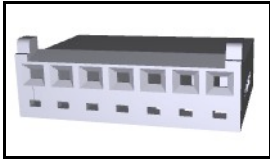


## 1375820-7 Product Details

[Share](#) [Print](#) [Email](#)




**1375820-7**

TE Internal Number: 1375820-7

 **Active**

[View 3D PDF](#)

### MTA, CST-100 II, MT-6 and SL Connectors and Headers

 Always EU RoHS/ELV Compliant  
(Statement of Compliance)

#### Product Highlights:

- CST-100 II Product Line
- CST Series
- Wire-to-Wire
- Applies To Wire/Cable
- Connector

[View all Features](#)

#### Quick Links

- ▶ [Pricing & Availability](#)
- ▶ [Search for Tooling](#)
- ▶ [View Mating Products \(44\)](#)
- ▶ [Product Feature Selector](#)
- ▶ [Contact Us About This Product](#)

[Add to My Part List](#) [Request Sample](#) [Find Similar Products](#)  
[Buy Product](#)

### Documentation & Additional Information

#### Product Drawings:

- [HOUSING, CST-100 II](#) (PDF, English)

#### Catalog Pages/Data Sheets:

- None Available

#### Product Specifications:

- [CST-100 Type II .100 Inch Centerline Crimp-Snap Conn...](#) (PDF, English)

#### Application Specifications:

- [CST-100 II Connectors](#) (PDF, English)

#### Instruction Sheets:

- [Extracting CST-100 II Contact 1375819-\[ \] from Housi...](#) (PDF, English)

#### CAD Files: (CAD Format & Compression Information)

- [2D Drawing](#) (DXF, Version 0)
- [3D Model](#) (IGES, Version 0)
- [3D Model](#) (STEP, Version 0)

[List all Documents](#)

#### Additional Information:

- [Product Line Information](#)

#### Related Products:

- [Tooling](#)
- [Mating Products \(44\)](#)

### Product Features (Please use the Product Drawing for all design activity)

#### Product Type Features:

- Product Line = CST-100 II
- Series = CST
- Product Type = Connector
- Connector Type = Housing
- PCB Mount Retention = Without
- PCB Mount Alignment = Without
- Strain Relief = Without
- Sealed = No
- UL File Number = E28476
- CSA File Number = LR7189

#### Mechanical Attachment:

- Contact Retention = Without
- Mating Retention Type = Latching
- [Panel Mount Retention](#) = Without

#### Configuration Features:

- [Number of Positions](#) = 7
- [Post Number\(s\) Omitted](#) = None
- [Backwall/Post Interruption\(s\)](#) = Without
- [Number of Rows](#) = 1

#### Industry Standards:

- [RoHS/ELV Compliance](#) = RoHS compliant, ELV compliant
- [Lead Free Solder Processes](#) = Not relevant for lead free process
- [RoHS/ELV Compliance History](#) = Always was RoHS compliant
- [Agency/Standard](#) = UL, CSA
- [UL Rating](#) = Recognized
- [CSA Rating](#) = Certified

**Electrical Characteristics:**

- Operating Voltage Reference = AC
- Operating Voltage (VAC) = 250

**Body Features:**

- Mating Retention = With
- Assembly Integration Feature = Without

**Contact Features:**

- Contact Type = Socket
- Multiple Contact Types = Without

**Housing Features:**

- Connector Style = Receptacle
- Centerline (mm [in]) = 2.54 [0.100]
- Housing Material = Nylon
- Housing Color = Natural
- Mating Alignment = With
- Mating Alignment Type = Polarizing Tab
- UL Flammability Rating = UL 94V-0

**Environmental:**

- Operating Temperature (°C [°F]) = -55 - +105 [-67 - +221]

**Conditions for Usage:**

- Applies To = Wire/Cable
- For Use With = Mates with Specified MTA .100 Headers, Similar Competitive Notched Headers & CST .100 Shrouded Headers

**Operation/Application:**

- Application Use = Wire-to-Wire

**Packaging Features:**

- Packaging Method = Package
- Packaging Quantity = 1

**Other:**

- Brand = AMP
- Comment = Accepts Rec Contact p/n 1375819 & MTA-100 Keying Plug P/N 641994-1; Not interchangeable with CST-100 contacts and housings.

**Corporate Information**

[About TE](#)  
[Investors](#)  
[News Room](#)  
[Supplier Portal](#)  
[Careers](#)  
[Terms & Conditions](#)  
[Privacy Policy](#)

**Quick Links**

[Distributor Inventory](#)  
[Product Cross Reference](#)  
[Documents & Drawings](#)  
[Product Compliance Support Center](#)  
[Site Map](#)

**Customer Support**

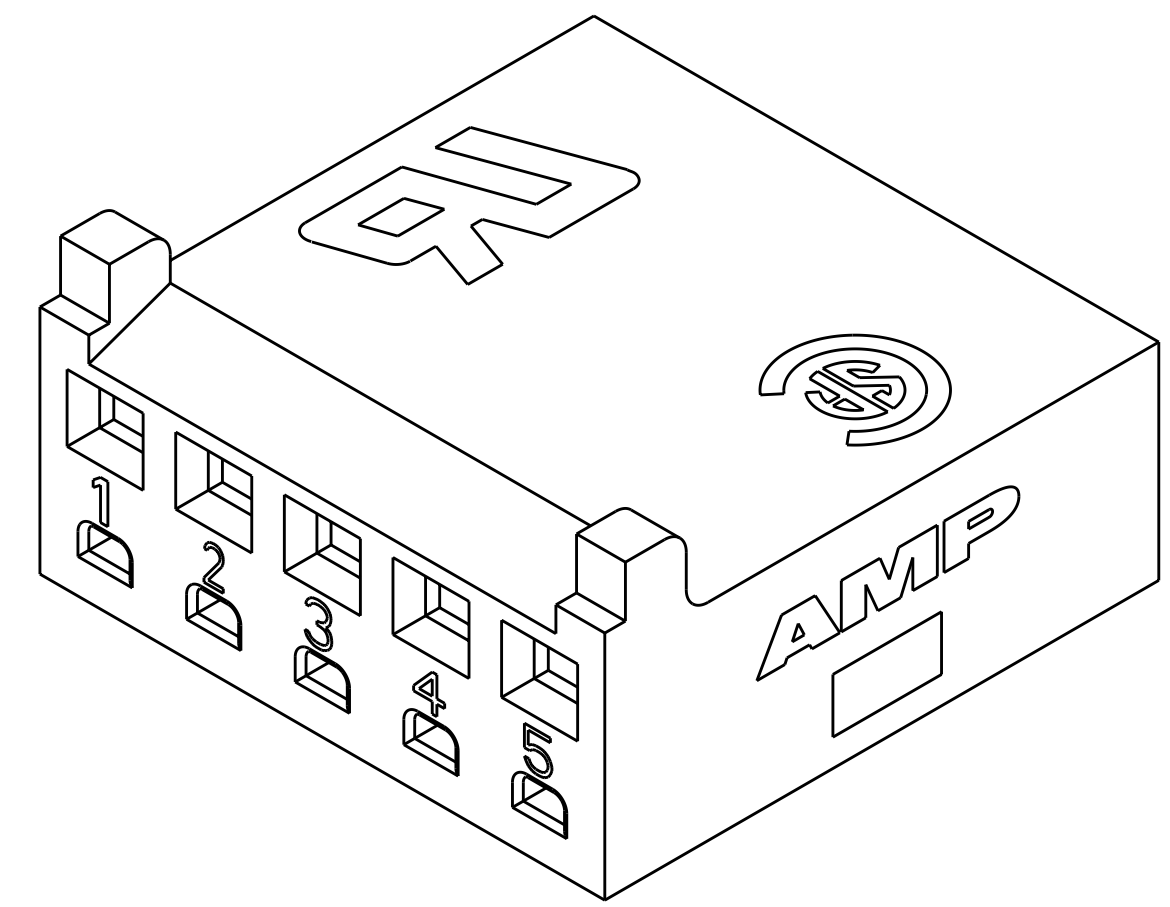
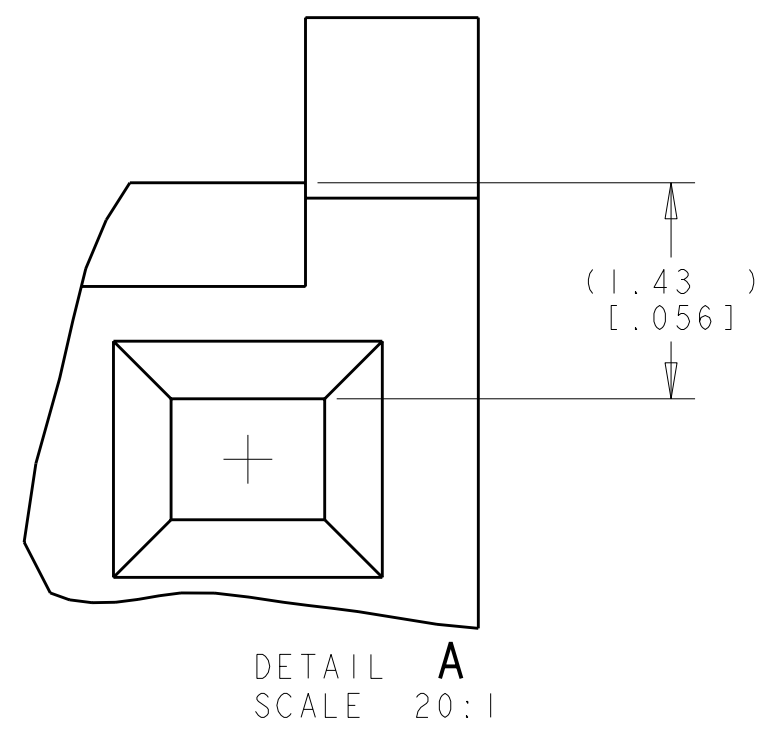
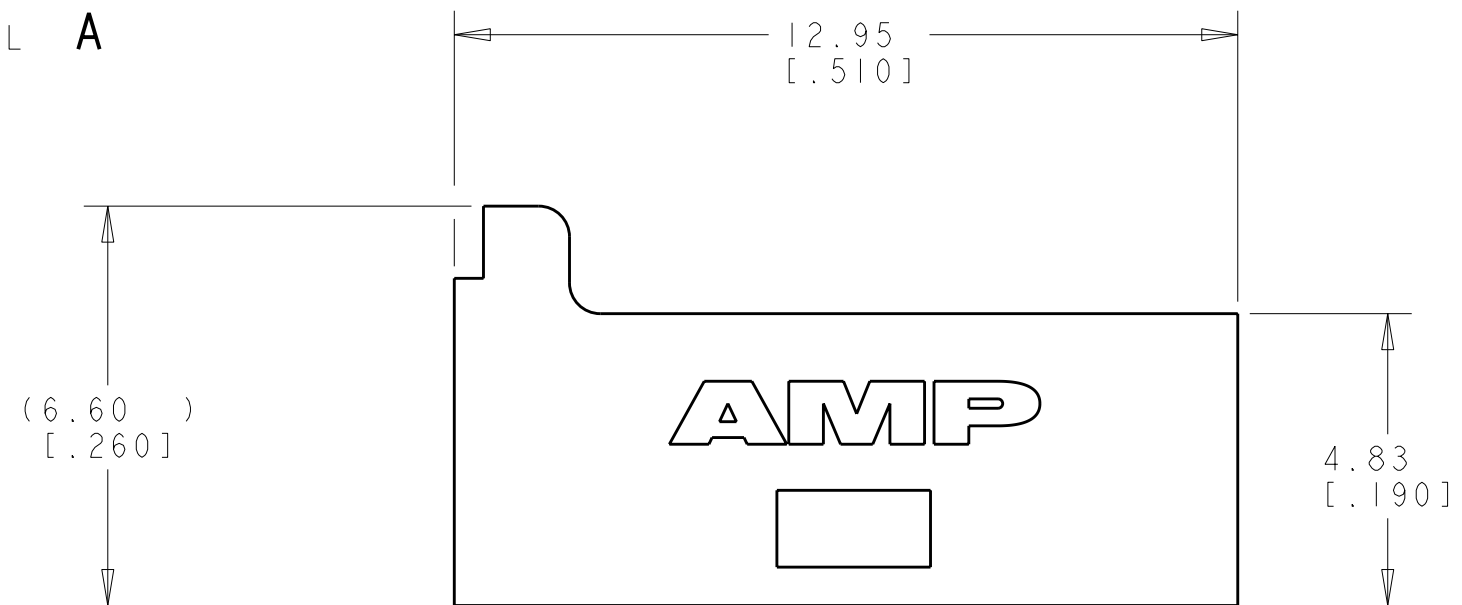
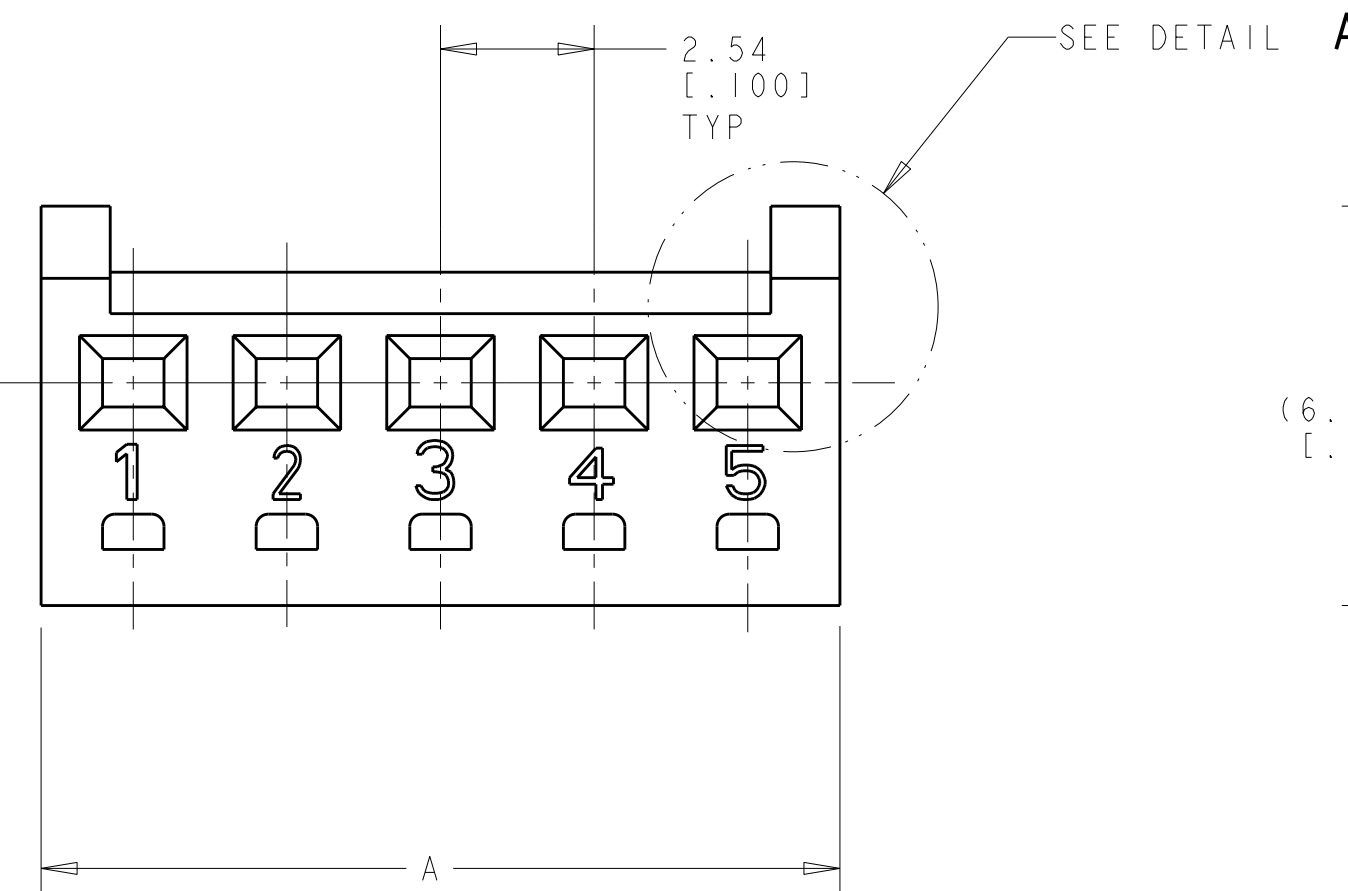
[Email or Chat With Us](#)  
[Find a Phone Number](#)  
[Knowledge Base](#)  
[Manage Your Account](#)

**Keep Me Informed**

THIS DRAWING IS UNPUBLISHED. RELEASED FOR PUBLICATION 20  
 © COPYRIGHT 20 ALL RIGHTS RESERVED.

| LOC |     | DIST                      |  | REVISIONS |     |      |  |
|-----|-----|---------------------------|--|-----------|-----|------|--|
| P   | LTR | DESCRIPTION               |  | DATE      | DWN | APVD |  |
|     | P   | REVISED PER ECO-11-005294 |  | 06APR2011 | RK  | HMR  |  |

1. ACCEPTS CONTACT P/N 1375819.
2. ACCEPTS MTA-100 KEYING PLUG P/N 641994-1.
3. DIMENSIONS IN BRACKETS ARE IN INCHES.
4. NOT FOR USE WITH CONTACT PART NUMBER 770601 OR 770666.



| mm    | INCH  | NO OF CKTS | PART NO     |
|-------|-------|------------|-------------|
| 71.63 | 2.820 | 28         | 2-1375820-8 |
| 69.09 | 2.720 | 27         | 2-1375820-7 |
| 66.55 | 2.620 | 26         | 2-1375820-6 |
| 64.01 | 2.520 | 25         | 2-1375820-5 |
| 61.47 | 2.420 | 24         | 2-1375820-4 |
| 58.93 | 2.320 | 23         | 2-1375820-3 |
| 56.39 | 2.220 | 22         | 2-1375820-2 |
| 53.85 | 2.120 | 21         | 2-1375820-1 |
| 51.31 | 2.020 | 20         | 2-1375820-0 |
| 48.77 | 1.920 | 19         | 1-1375820-9 |
| 46.23 | 1.820 | 18         | 1-1375820-8 |
| 43.69 | 1.720 | 17         | 1-1375820-7 |
| 41.15 | 1.620 | 16         | 1-1375820-6 |
| 38.61 | 1.520 | 15         | 1-1375820-5 |
| 36.07 | 1.420 | 14         | 1-1375820-4 |
| 33.53 | 1.320 | 13         | 1-1375820-3 |
| 30.99 | 1.220 | 12         | 1-1375820-2 |
| 28.45 | 1.120 | 11         | 1-1375820-1 |
| 25.91 | 1.020 | 10         | 1-1375820-0 |
| 23.37 | .920  | 9          | 1375820-9   |
| 20.83 | .820  | 8          | 1375820-8   |
| 18.29 | .720  | 7          | 1375820-7   |
| 15.75 | .620  | 6          | 1375820-6   |
| 13.21 | .520  | 5          | 1375820-5   |
| 10.67 | .420  | 4          | 1375820-4   |
| 8.13  | .320  | 3          | 1375820-3   |
| 5.59  | .220  | 2          | 1375820-2   |

THIS DRAWING IS A CONTROLLED DOCUMENT.

DWN: K. WHITAKER 21-JUNE-2001  
 CHK: J. ELLIS 21-JUNE-2001  
 APVD: J. ELLIS 21-JUNE-2001

DIMENSIONS: mm [INCHES]

TOLERANCES UNLESS OTHERWISE SPECIFIED:  
 0 PLC ±  
 1 PLC ±  
 2 PLC ±0.13 [.005]  
 3 PLC ±  
 4 PLC ±  
 ANGLES ±  
 FINISH

MATERIAL: NYLON

PRODUCT SPEC: 108-1948  
 APPLICATION SPEC: 114-13036  
 WEIGHT: -

STE TE Connectivity  
 NAME: HOUSING, CST-100 11

SIZE: A2 CAGE CODE: 00779 DRAWING NO: 1375820 RESTRICTED TO: -  
 SCALE: 8:1 SHEET 1 OF 1 REV P

