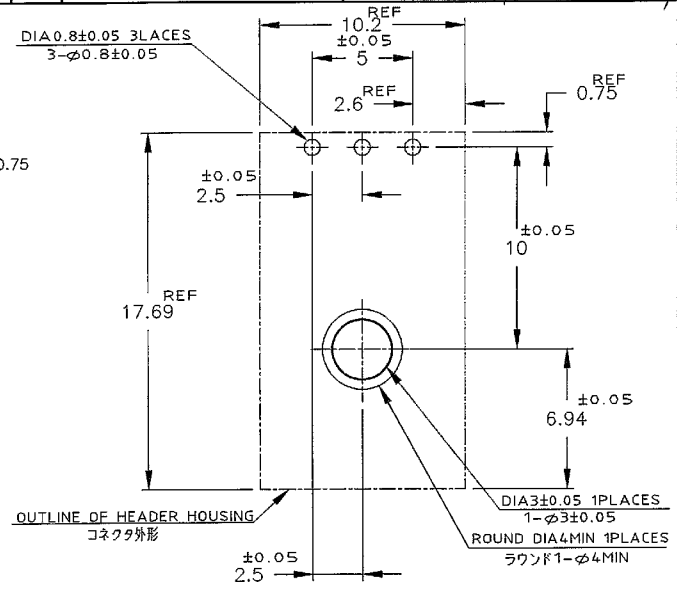
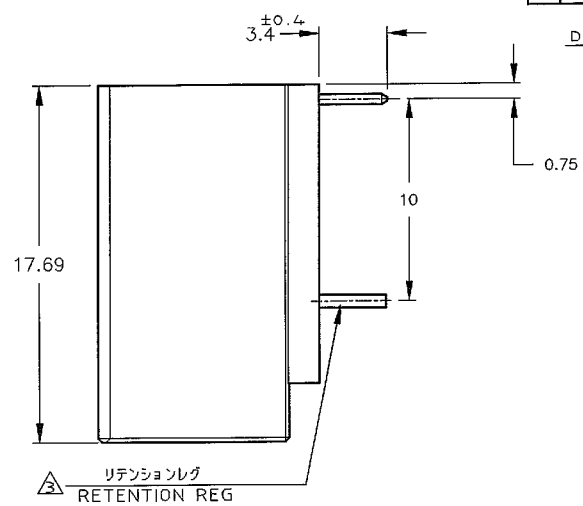
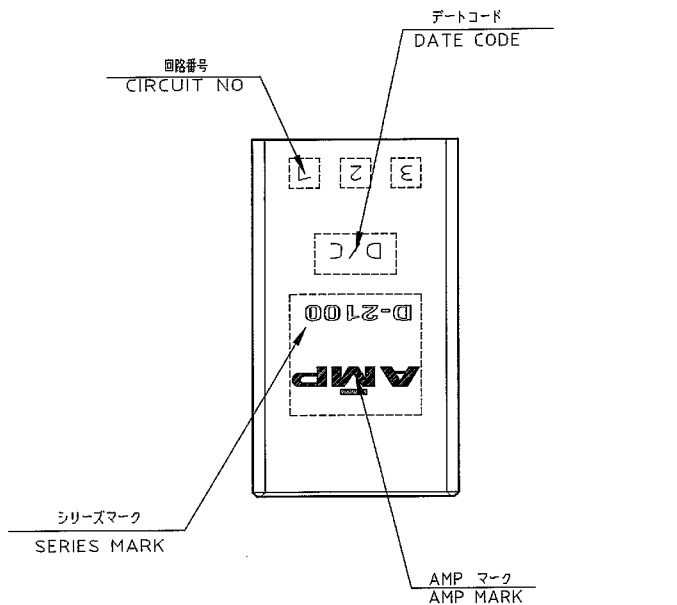


THIS DRAWING IS UNPUBLISHED. RELEASED FOR PUBLICATION 1998  
 © COPYRIGHT 1998 BY AMP INCORPORATED. ALL RIGHTS RESERVED.

LOC J  
 DIST

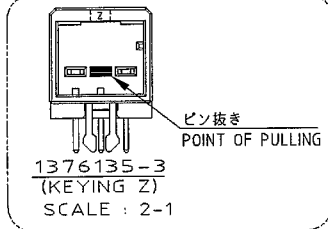
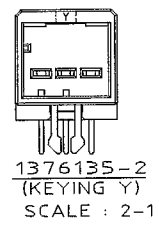
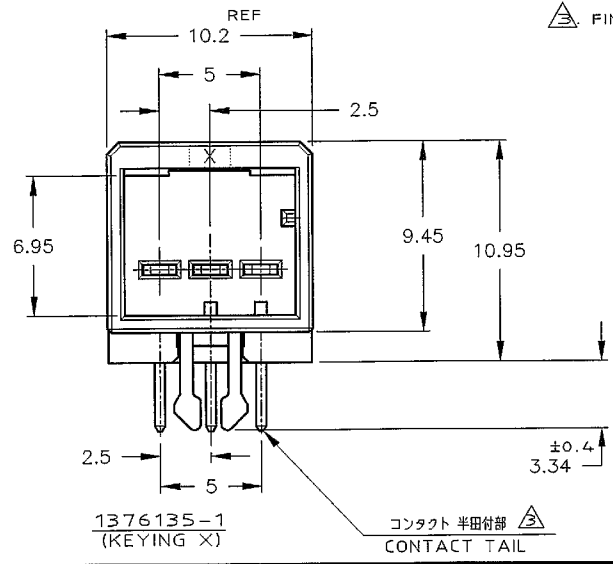
REVISIONS						
P	LTR	DESCRIPTION	ECN	DATE	DWN	APVD
0		RELEASED	FJ00-1755-99	28FEB'00	K.I.H	I.H
A		REVISED	FJ00-1080-00	21SEP'00	Y.K.S.M	S.M
B		REVISED	FJ00-2536-02	5DEC'02	T.S.S.M	S.M
C		REVISED	FJD0-0039-03	6/20/03	T.S.S.M	S.M



NOTES  
 1. MATERIAL: HOUSING: GLASS FILLED THERMO PLASTIC, POLYESTER (94V-0), COLOR: BLACK  
 TAB CONTACT: COPPER ALLOY  
 RETENTION LEG: BRASS  
 △ FINISH (CONTACT AREA): 0.38μM MIN GOLD PLATING OVER NI PLATING  
 △ FINISH (RETENTION LEG): TIN PLATED (CONTACT TAIL) OVER NICKEL

推奨基板取付け寸法公差: ±0.05  
 PC 基板厚: 1.6±0.3 (コネクタ搭載面)  
 RECOMMENDED PC BOARD HOLE PATTERN (TOL: ±0.05)  
 PC BOARD THICKNESS: 1.6±0.3 (CONNECTOR MOUNT SIDE)

注記  
 1. 材料: ハウジング: ガラス入り熱可塑性ポリエステル樹脂 (94V-0), 色: 黒  
 タブ コントクト: 銅合金  
 リテンション レグ: 黄銅  
 △ めっき: コントクト: 全面Ni下地 接触部: 0.38μM MIN金めっき  
 △ めっき: リテンションレグとコネクタ半田付部: ニッケル下地の上にスズめっき



THIS DRAWING IS A CONTROLLED DOCUMENT FOR AMP INCORPORATED. IT IS SUBJECT TO CHANGE AND THE CONTROLLING ENGINEERING ORGANIZATION SHOULD BE CONTACTED FOR THE LATEST REVISION.		CHK KIKEDA 24/FEB/'00	Tyco Electronics AMP K.K. Kawasaki, Japan
DIMENSIONS: 単位 mm		CHK Y.KATO 28/FEB/'00	
TOLERANCES UNLESS OTHERWISE SPECIFIED		APVD I.HASEGAWA 28/FEB/'00	NAME 7別 ヘッダーアセンブリー 3P
公差 10: ±0.3 20: ±0.35 30: ±0.4 100: ±0.4 ANGLE: ±3°		PRODUCT SPEC 108-5619	(水平タイプ) SINGLE ROW HEADER ASS'Y 3P ("H" TYPE) <DYNAMIC D-2100S>
MATERIAL 注記参照 SEE NOTES		APPLICATION SPEC 114-5258	SIZE A3 CAGE CODE 00779 DRAWING NO C-1376135
FINISH 注記参照 SEE NOTES		WEIGHT	RESTRICTED TO -
CUSTOMER DRAWING		SCALE 4-1	SHEET 1 OF 1 REV C