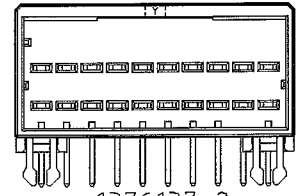
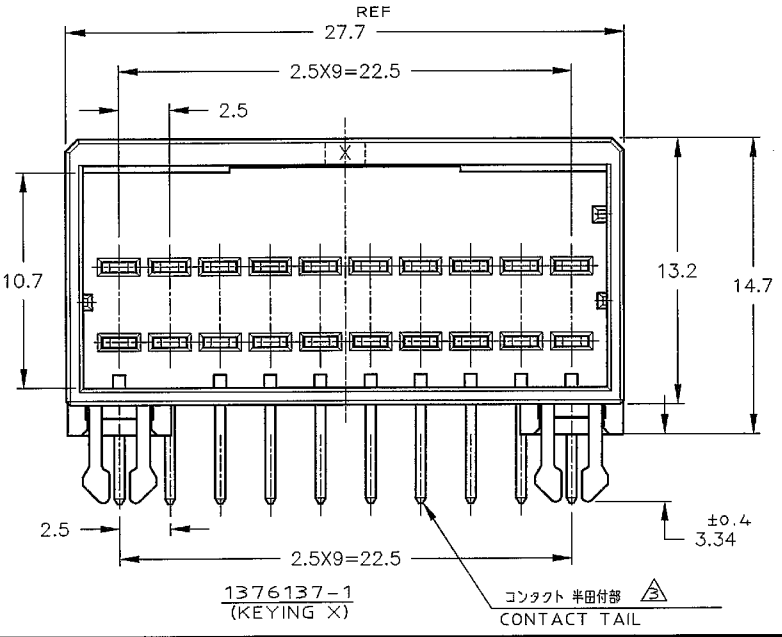
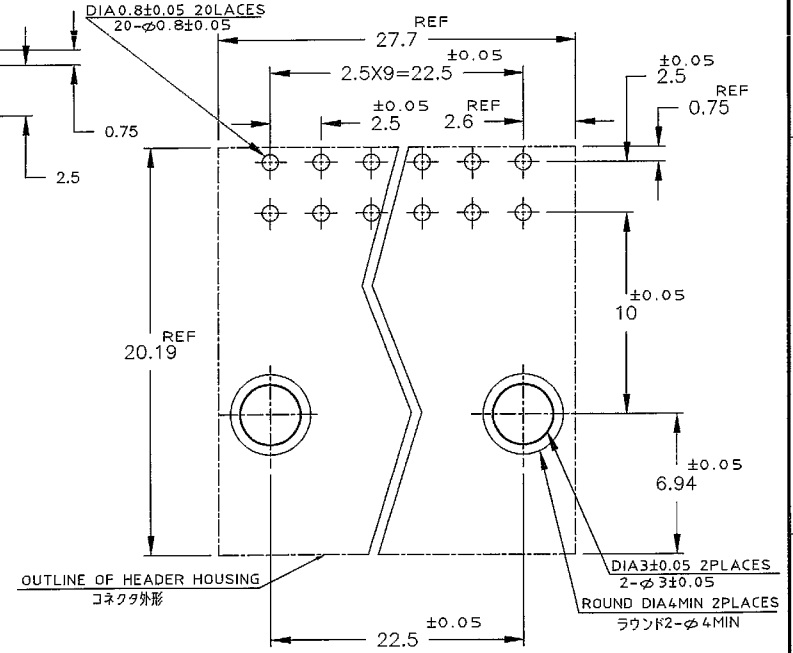
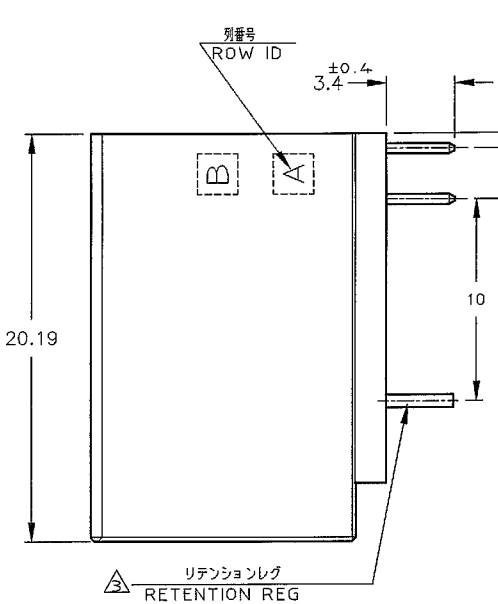
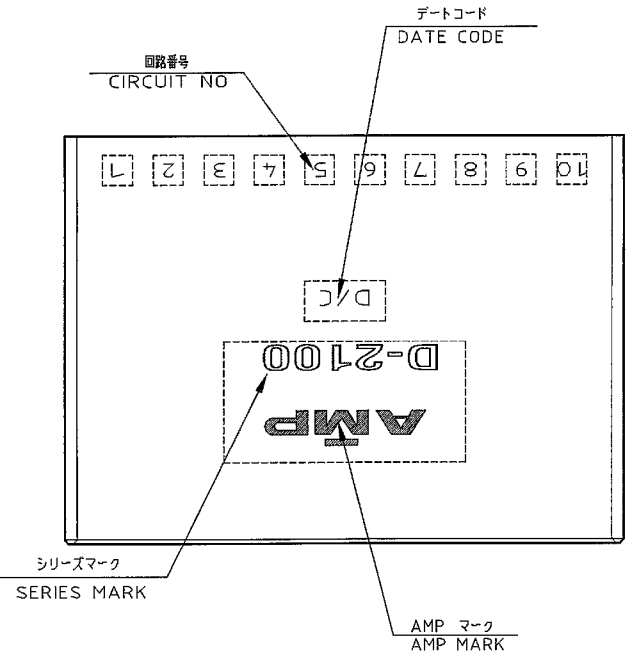


THIS DRAWING IS UNPUBLISHED. RELEASED FOR PUBLICATION 1998
 © COPYRIGHT 1998 BY AMP INCORPORATED. ALL RIGHTS RESERVED.

REVISED		DESCRIPTION	ECN	DATE	DWN	APVD
P	LTR					
	0	RELEASED	FJ00-1755-99	28FEB'00	K.I.	Y.K.
	A	REVISED	FJ00-1080-00	21SEP'00	Y.K.	S.M.
	B	REVISED	FJD0-0039-03	22 '03	T.S.	S.M.



NOTES

1. MATERIAL: HOUSING: GLASS FILLED THERMO PLASTIC, POLYESTER(94V-0), COLOR: BLACK
 TAB CONTACT: COPPER ALLOY
 RETENTION LEG: BRASS

△ FINISH (CONTACT AREA): 0.38μMIN GOLD PLATING OVER Ni PLATING
 △ FINISH (RETENTION LEG): TIN PLATED (CONTACT TAIL) OVER NICKEL

PC 基板厚: 1.6±0.3 (コネクタ搭載面)

RECOMENDED PC BOARD HOLE PATTERN (TOL: ±0.05)
 PC BOARD THICKNESS: 1.6±0.3
 注記 (CONNECTOR MOUNT SIDE)

1. 材料: ハウジング: ガラス入り熱可塑性
 ポリエステル樹脂 (94V-0), 色: 黒
 タブ コンタクト: 銅合金
 リテンション レグ: 黄銅

△ めっき: コンタクト: 金層Ni下地
 接触部: 0.38μMIN 金めっき
 △ めっき: リテンションレグとコネクタ半田付部
 ニッケル下地の上にスズめっき

THIS DRAWING IS A CONTROLLED DOCUMENT FOR AMP INCORPORATED. IT IS SUBJECT TO CHANGE AND THE CONTROLLING ENGINEERING ORGANIZATION SHOULD BE CONTACTED FOR THE LATEST REVISION.		DWN 24/FEB/'00	Tyco Electronics AMP K.K. Kawasaki, Japan	
DIMENSIONS: 単位: mm	TOLERANCES UNLESS OTHERWISE SPECIFIED	CHK 28/FEB/'00	NAME 2別 ヘッダーアセンブリー 20P (水平タイプ) DOUBLE ROW HEADER ASS'Y 20P ("H"TYPE) <DYNAMIC D-2100D>	
MATERIAL 仕様 注記参照 SEE NOTES	FINISH 仕様 注記参照 SEE NOTES	APVD 28/FEB/'00	SIZE A3	CAGE CODE 00779
		PRODUCT SPEC 108-5619	DRAWING NO 114-5258	RESTRICTED TO -
CUSTOMER DRAWING		SCALE 4-1		SHEET 1 OF 1 REV B