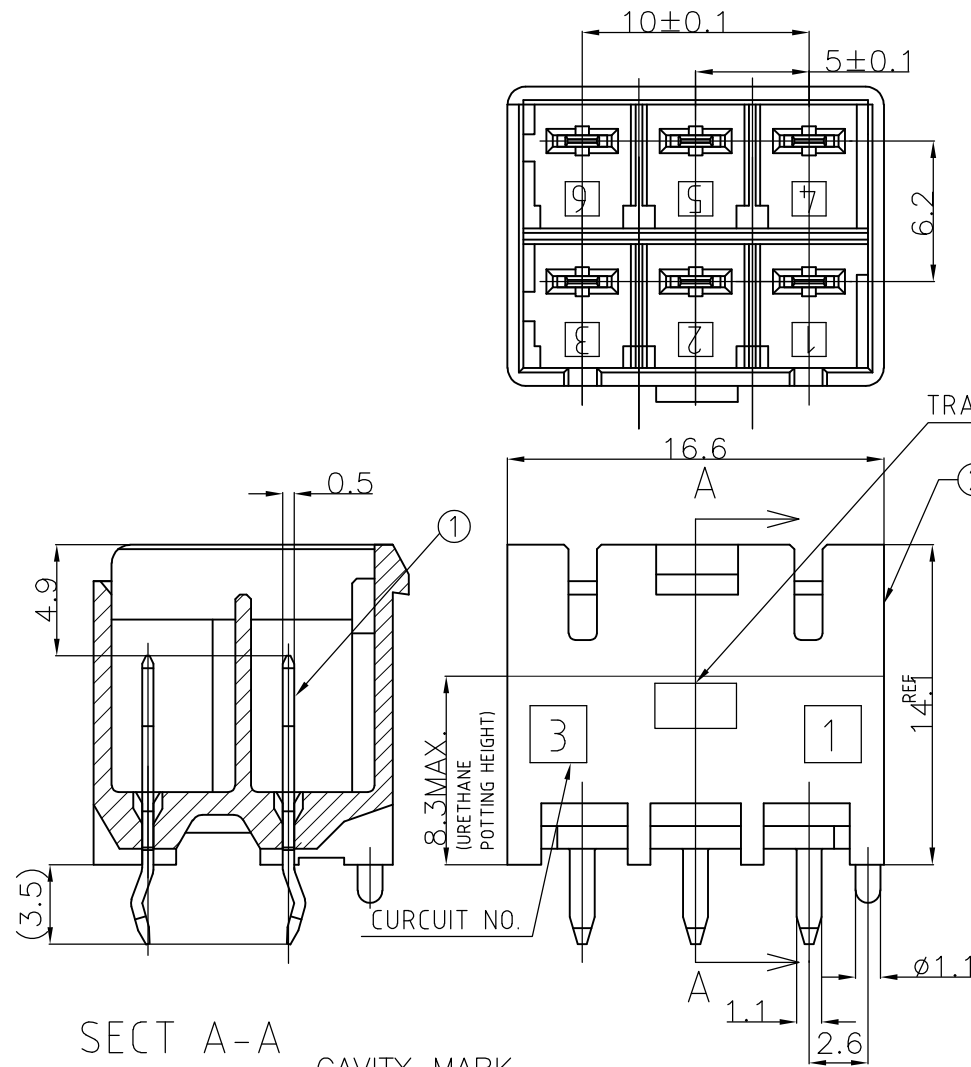
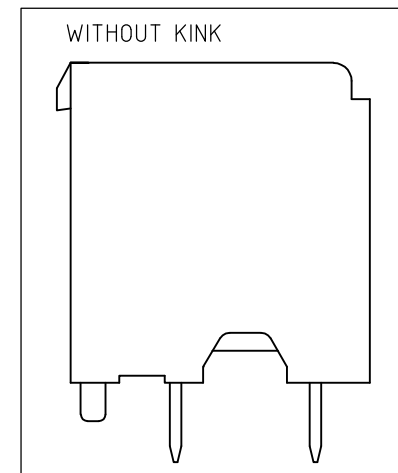
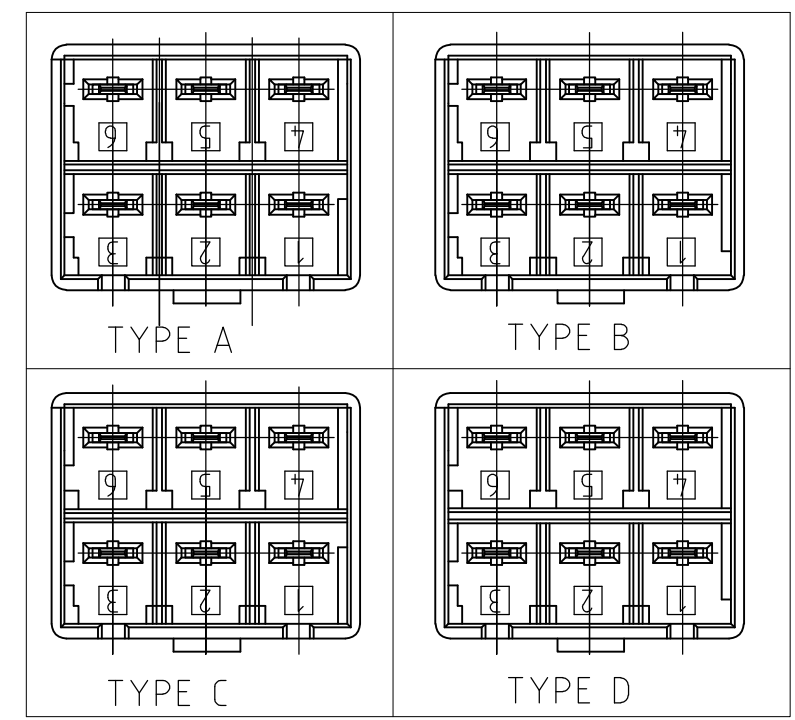


THIS DRAWING IS UNPUBLISHED. RELEASED FOR PUBLICATION
 © COPYRIGHT - By - ALL RIGHTS RESERVED.

| REVISIONS | | | | | |
|-----------|-----|---------------------------|-----------|-----|------|
| P | LTR | DESCRIPTION | DATE | DWN | APVD |
| E3 | | REVISED PER ECR-16-007444 | 30MAY2016 | NK | SC |

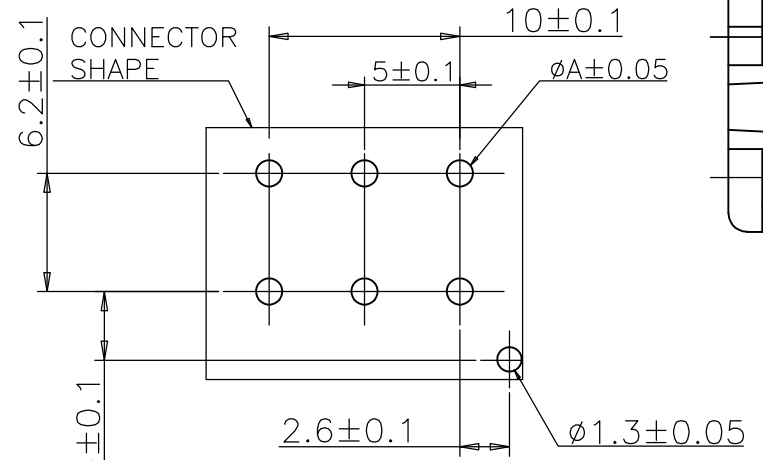


THE TYPE OF KEYING



KINK SHAPE: WITHOUT KINK IS STRAIGHT SHAPE OF TINE.

SECT A-A



| OPERATION | DIM A |
|-----------|-------|
| PUNCHING | 1.25 |
| DRILLING | 1.4 |
| | DIM A |

RECOMMENDED PCB HOLES

- ① RECOMMENDED P.C.B LAY OUT.
- ② APPLICABLE P.C.B. THICKNESS:1.6.
- ③ MATING CONN. P/N
- ④ PLUG HOUSING :SEE TABLE.
- ④ PARTS MEET IEC 60335-1 (GWT GLOW WIRE TEST 750 DEGREE SPEC).
- ⑤ NYLON 66, GWT, V-0.

| NO. | NAME | MATERIAL |
|-----|----------------|-------------------------|
| ② | HEADER HOUSING | 6/6 NYLON GRASS FILLED |
| ① | TAB | COPPER ALLOY TIN PLATED |

| △5 | MATING CONN. P/N | WITH/WITHOUT KINK | TYPE OF KEYING | Color | Pos | PART NO. |
|----|------------------|-------------------|----------------|---------|------|-------------|
| △5 | 3-1376393-4 | WITHOUT KINK | TYPE D | YELLOW | 6Pos | 8-1376387-4 |
| △5 | 2-1376393-3 | WITHOUT KINK | TYPE C | BLUE | 6Pos | 7-1376387-3 |
| △5 | 1-1376393-2 | WITHOUT KINK | TYPE B | RED | 6Pos | 6-1376387-2 |
| △5 | 1376393-1 | WITHOUT KINK | TYPE A | NATURAL | 6Pos | 5-1376387-1 |
| △5 | 3-1376393-4 | WITH KINK | TYPE D | YELLOW | 6Pos | 3-1376387-4 |
| △5 | 2-1376393-3 | WITH KINK | TYPE C | BLUE | 6Pos | 2-1376387-3 |
| △5 | 1-1376393-2 | WITH KINK | TYPE B | RED | 6Pos | 1-1376387-2 |
| △5 | 1376393-1 | WITH KINK | TYPE A | NATURAL | 6Pos | 1376387-1 |

THIS DRAWING IS A CONTROLLED DOCUMENT.

| DIMENSIONS: | TOLERANCES UNLESS OTHERWISE SPECIFIED: |
|--------------|--|
| mm | |
| Ø PLO | ± 0.2 |
| 1 P/C | ± |
| 2 P/C | ± |
| 3 P/C | ± |
| 4 PLO ANGLES | ± 1° |
| MATERIAL | FINISH |
| SEE TABLE | SEE TABLE |

| | |
|------------------|-----------|
| DWN | 20MAR2003 |
| A.OISHI | |
| CHK | 28AUG'00 |
| Y.KASHIWA | |
| APVD | 28AUG'00 |
| Y.KASHIWA | |
| PRODUCT SPEC | |
| 108-5699 | |
| APPLICATION SPEC | |
| 114-5292 | |
| WEIGHT | |



5.0 POWER KEY CONNECTOR
 6P HEADER ASSEMBLY
 (2ROW)

| SIZE | CAGE CODE | DRAWING NO | RESTRICTED TO |
|------|-----------|------------|---------------|
| A3 | 00779 | C-1376387 | - |

CUSTOMER DRAWING

SCALE 3:1 SHEET 1 OF 1 REV E3