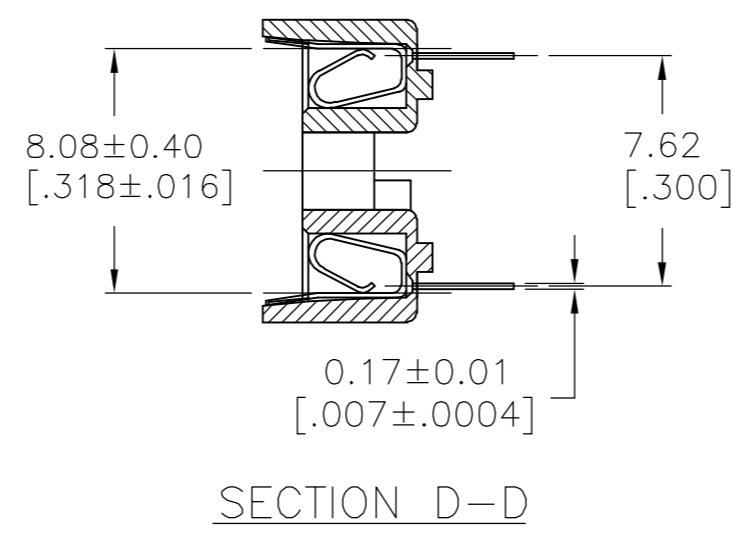
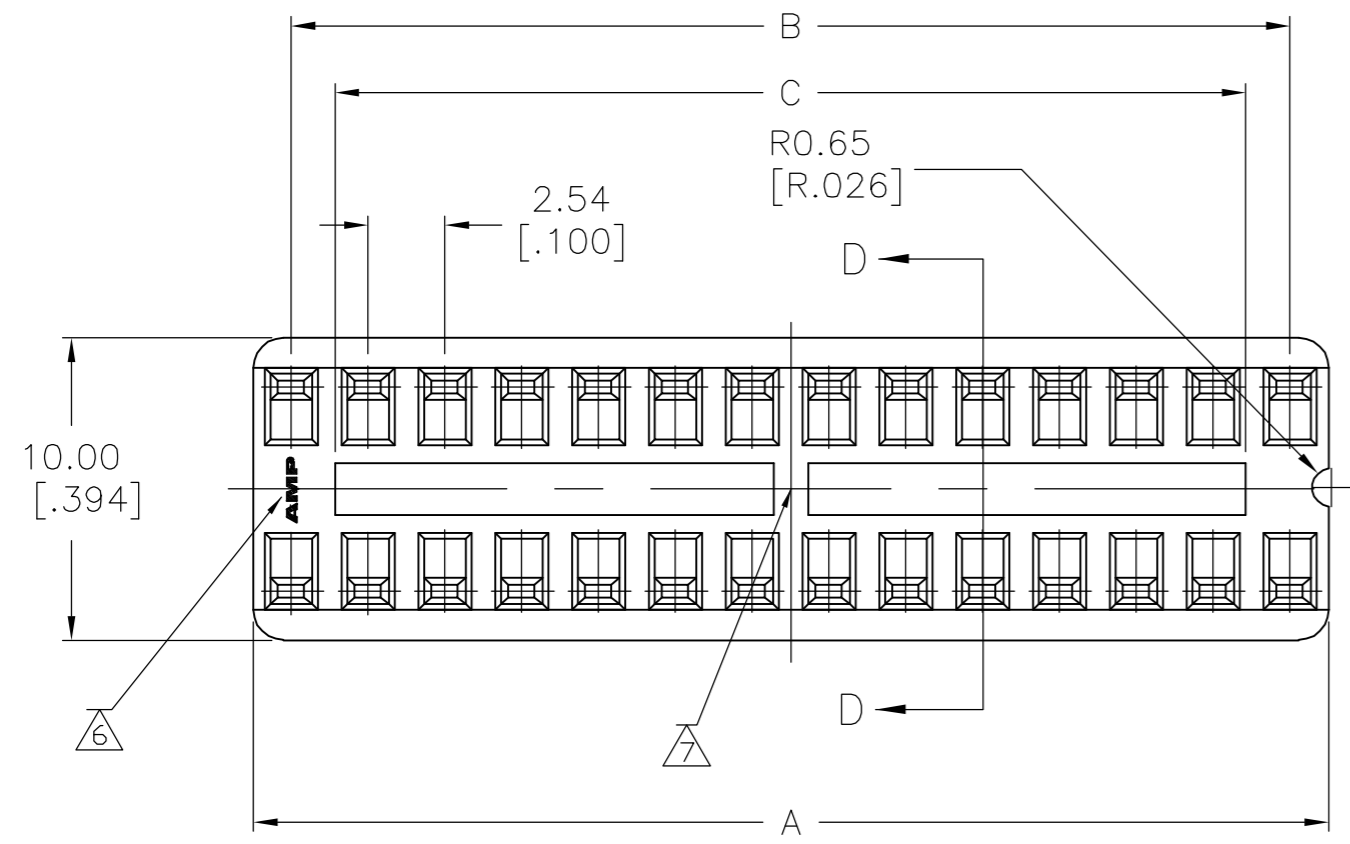


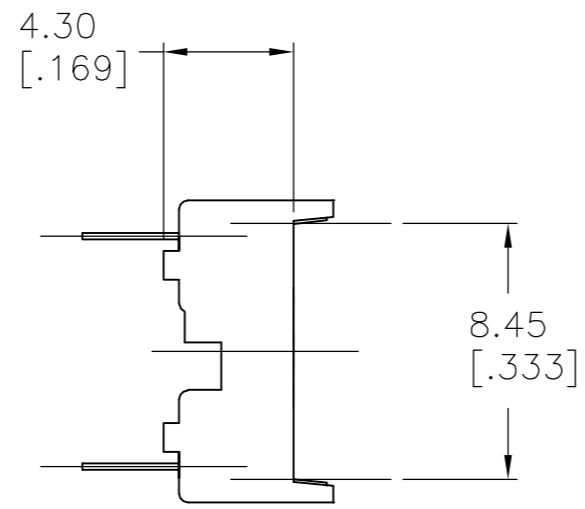
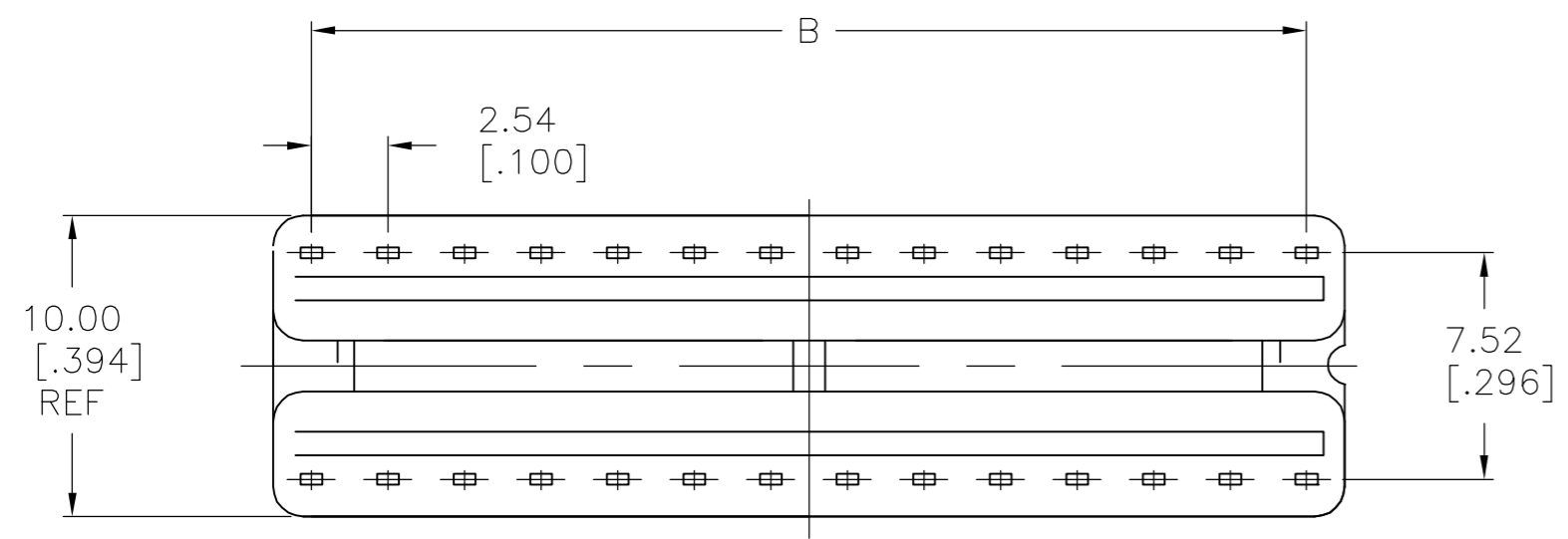
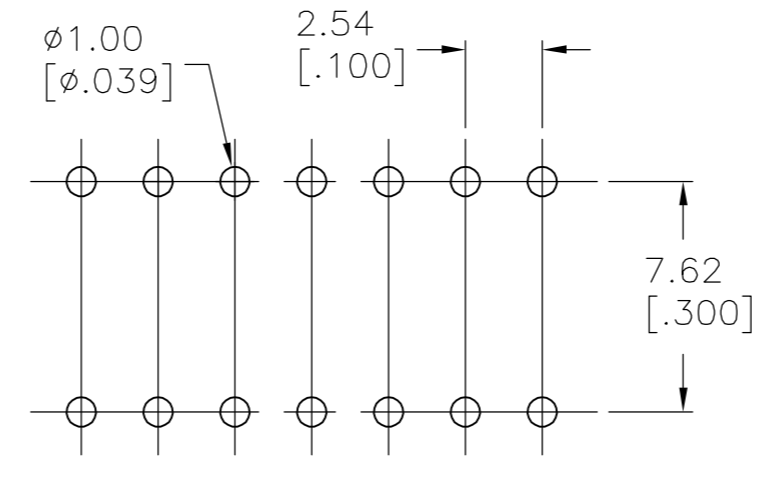
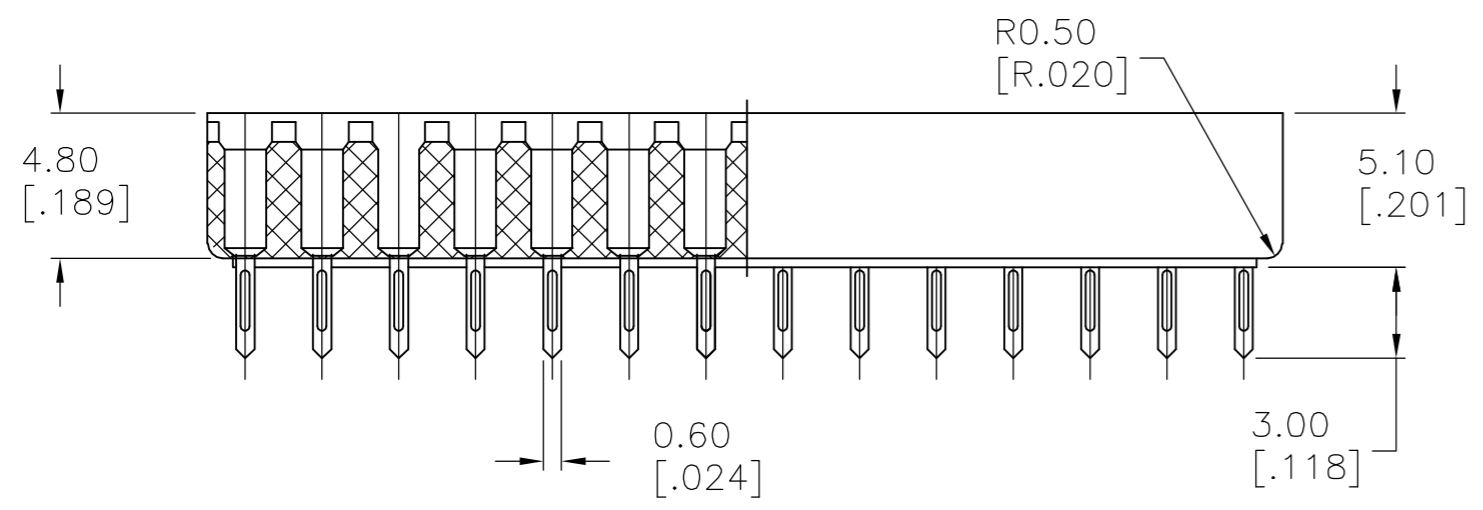
THIS DRAWING IS UNPUBLISHED. RELEASED FOR PUBLICATION  
 © COPYRIGHT BY TYCO ELECTRONICS CORPORATION. ALL RIGHTS RESERVED.

Loc		DIST		REVISIONS			
P	LTR	DESCRIPTION		DATE	DWN	APVD	
	K	REVISED PER ECO-07-000518		1/17/07	SS	KM	



NOTE:

- 1 MATERIAL:  
HOUSING: 30% GLASS FILLED PBT, THERMOPLASTIC, BLACK.  
CONTACT: PHOS BRONZE
- 2 FINISH: CONTACT PLATING: TIN-LEAD (60u INCHES MIN.)  
SOLDERABILITY :95% COVERAGE MIN.;  
TEST TEMPERATURE=230°C±5°C  
TEST TIME = 5±5 SECONDS.
- 3. MECHANICAL SPECS:  
DURABILITY: 50 CYCLES MIN.  
INSERTION FORCE:300 GRAMS MAX.  
WITHDRAWAL FORCE: 20 GRAMS MIN.  
CONTACT RETENTION: 500 GRAMS MIN.  
ACCEPTS: 0.20-0.30 [.008-.012] LEADS
- 4. ELECTRICAL SPECS:  
VOLTAGE RATING: 250V AC,DC  
CONTACT RESISTANCE: 20 MILLOHMS MAX.  
CURRENT RATING: 1 AMPERE AC,DC  
INSULATION RESISTANCE: 1000 MEGOHMS MIN.  
DIELECTRIC WITHSTANDING VOLTAGE: AC 1000 V MIN.
- 5. OPERATING TEMPERATURE: -40°C TO +105°C
- 6 AMP LOGO
- 7 LADDER PRESENT FOR 24, 28 & 32 POSITION SOCKETS.
- 8 FINISH: CONTACT PLATING TIN (LEAD FREE); 60 UIN MIN. OVER 30 UIN Ni  
SOLDERABILITY :95% COVERAGE MIN.;  
TEST TEMPERATURE=260°±5°C;  
TEST TIME = 5±5 SECONDS.



FINISH	POS	A ±0.20 [.008]	B±0.10 [.004]	C±0.15 [.004]	PART NO.
△	32	40.64 [1.600]	38.10 [1.500]	35.20 [1.386]	2-390261-0
△	28	35.56 [1.400]	33.02 [1.300]	30.12 [1.185]	1-390261-9
△	24	30.48 [1.200]	27.94 [1.100]	25.10 [.988]	1-390261-8
△	22	27.94 [1.100]	25.40 [1.000]	22.54 [.887]	1-390261-7
△	20	25.40 [1.000]	22.86 [.900]	20.00 [.787]	1-390261-6
△	18	22.86 [.900]	20.32 [.800]	17.46 [.687]	1-390261-5
△	16	20.32 [.800]	17.78 [.700]	14.92 [.587]	1-390261-4
△	14	17.78 [.700]	15.24 [.600]	12.38 [.487]	1-390261-3
△	8	10.16 [.400]	7.62 [.300]	4.76 [.187]	1-390261-2
△	6	7.62 [.300]	5.08 [.200]	2.10 [.083]	1-390261-1
△	32	40.64 [1.600]	38.10 [1.500]	35.20 [1.386]	1-390261-0
△	28	35.56 [1.400]	33.02 [1.300]	30.12 [1.185]	390261-9
△	24	30.48 [1.200]	27.94 [1.100]	25.10 [.988]	390261-8
△	22	27.94 [1.100]	25.40 [1.000]	22.54 [.887]	390261-7
△	20	25.40 [1.000]	22.86 [.900]	20.00 [.787]	390261-6
△	18	22.86 [.900]	20.32 [.800]	17.46 [.687]	390261-5
△	16	20.32 [.800]	17.78 [.700]	14.92 [.587]	390261-4
△	14	17.78 [.700]	15.24 [.600]	12.38 [.487]	390261-3
△	8	10.16 [.400]	7.62 [.300]	4.76 [.187]	390261-2
△	6	7.62 [.300]	5.08 [.200]	2.10 [.083]	390261-1

THIS DRAWING IS A CONTROLLED DOCUMENT. DWN 06SEP2004

DIMENSIONS: mm [INCHES] TOLERANCES UNLESS OTHERWISE SPECIFIED:

0 PLC	± -
1 PLC	± -
2 PLC	± 0.2 [.008]
3 PLC	± -
4 PLC	± -
ANGLES	± -

MATERIAL: - △ FINISH: - △/△

APVD: -  
 PRODUCT SPEC: -  
 APPLICATION SPEC: -  
 WEIGHT: -

**tyco Electronics** Tyco Electronics Corporation  
 Harrisburg, PA 17105-3608

NAME: DIP SOCKET, .300 CENTER LINE LADDER STYLE

SIZE: A2 CAGE CODE: 00779 DRAWING NO: C=390261 RESTRICTED TO: -

CUSTOMER DRAWING SCALE: 4:1 SHEET: 1 of 1 REV: K