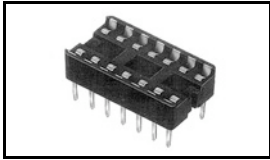


1-390262-2 Product Details

[Share](#) [Print](#) [Email](#)




1-390262-2

TE Internal Number: 1-390262-2

 Active

[View 3D PDF](#)

DIP Sockets

 Always EU RoHS/ELV Compliant
(Statement of Compliance)

Product Highlights:

- Socket Style = Standard
- Through Hole Contact Termination Type
- 2.54 mm Centerline
- Row-to-Row Spacing = 15.24 mm
- 28 Positions

[View all Features](#)

Quick Links

- ▶ [Pricing & Availability](#)
- ▶ [Search for Tooling](#)
- ▶ [Product Feature Selector](#)
- ▶ [Contact Us About This Product](#)

[Add to My Part List](#)

[Request Sample](#)

[Find Similar Products](#)

[Buy Product](#)

Documentation & Additional Information

Product Drawings:

- [DIP SOCKET, .600 CENTER LINE LADDER STYLE \(PDF, English\)](#)

Catalog Pages/Data Sheets:

- None Available

Product Specifications:

- None Available

Application Specifications:

- None Available

Instruction Sheets:

- None Available

CAD Files: [\(CAD Format & Compression Information\)](#)

- [2D Drawing \(DXF, Version M\)](#)
- [3D Model \(IGES, Version M\)](#)
- [3D Model \(STEP, Version M\)](#)

[List all Documents](#)

Additional Information:

- [Product Line Information](#)

Related Products:

- [Tooling](#)

Product Features (Please use the Product Drawing for all design activity)

Product Type Features:

- [Socket Style](#) = Standard
- [Profile](#) = Standard
- [Frame Style](#) = Ladder
- [Leg Style](#) = Straight
- [PCB Mounting Orientation](#) = Horizontal

Electrical Characteristics:

- [Insulation Resistance \(MΩ\)](#) = 10,000
- [Contact Resistance \(mΩ\)](#) = 30

Termination Features:

- [Contact Termination Type](#) = Through Hole
- [Termination Post Length \(mm \[in\]\)](#) = 3.00 [0.118]

Dimensions:

- [Height Above PC Board \(mm \[in\]\)](#) = 5.10 [0.200]

Body Features:

Housing Features:

- [Centerline \(mm \[in\]\)](#) = 2.54 [0.100]

Configuration Features:

- [Number of Positions](#) = 28

Industry Standards:

- [RoHS/ELV Compliance](#) = RoHS compliant, ELV compliant
- [Lead Free Solder Processes](#) = Wave solder capable to 240°C, Wave solder capable to 260°C, Wave solder capable to 265°C
- [RoHS/ELV Compliance History](#) = Always was RoHS compliant

Conditions for Usage:

- [Temperature Range \(°C\)](#) = -40 - +105

Packaging Features:

- [Row-to-Row Spacing \(mm \[in\]\)](#) = 15.24 [0.600]
- [Mount Style](#) = Vertical

Contact Features:

- [Contact Base Material](#) = Phosphor Bronze
- [Contact Plating, Mating Area, Material](#) = Tin
- [Contact Style](#) = Stamped + Formed
- [Mating Contact Type](#) = Dual Leaf

- [Packaging Method](#) = Tube

Other:

- [Brand](#) = AMP

Corporate Information

- [About TE](#)
- [Investors](#)
- [News Room](#)
- [Supplier Portal](#)
- [Careers](#)
- [Terms & Conditions](#)
- [Privacy Policy](#)

Quick Links

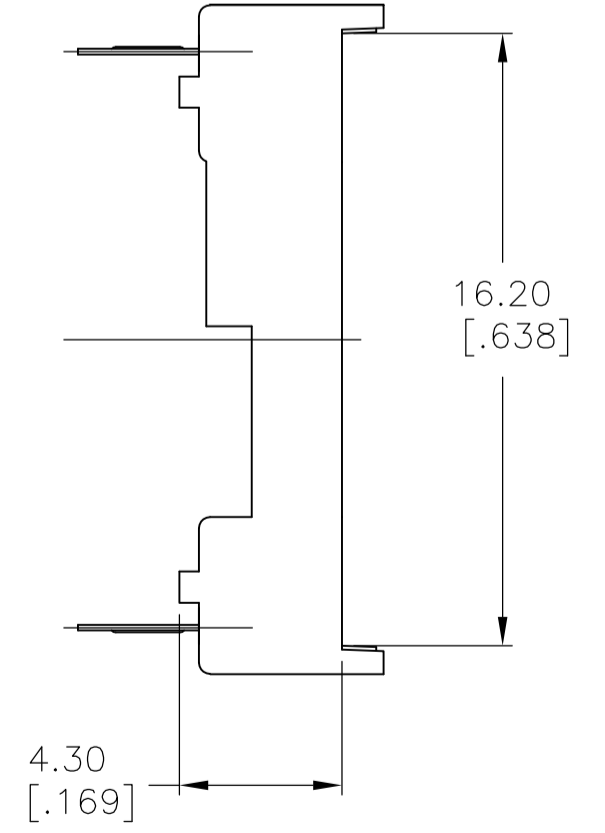
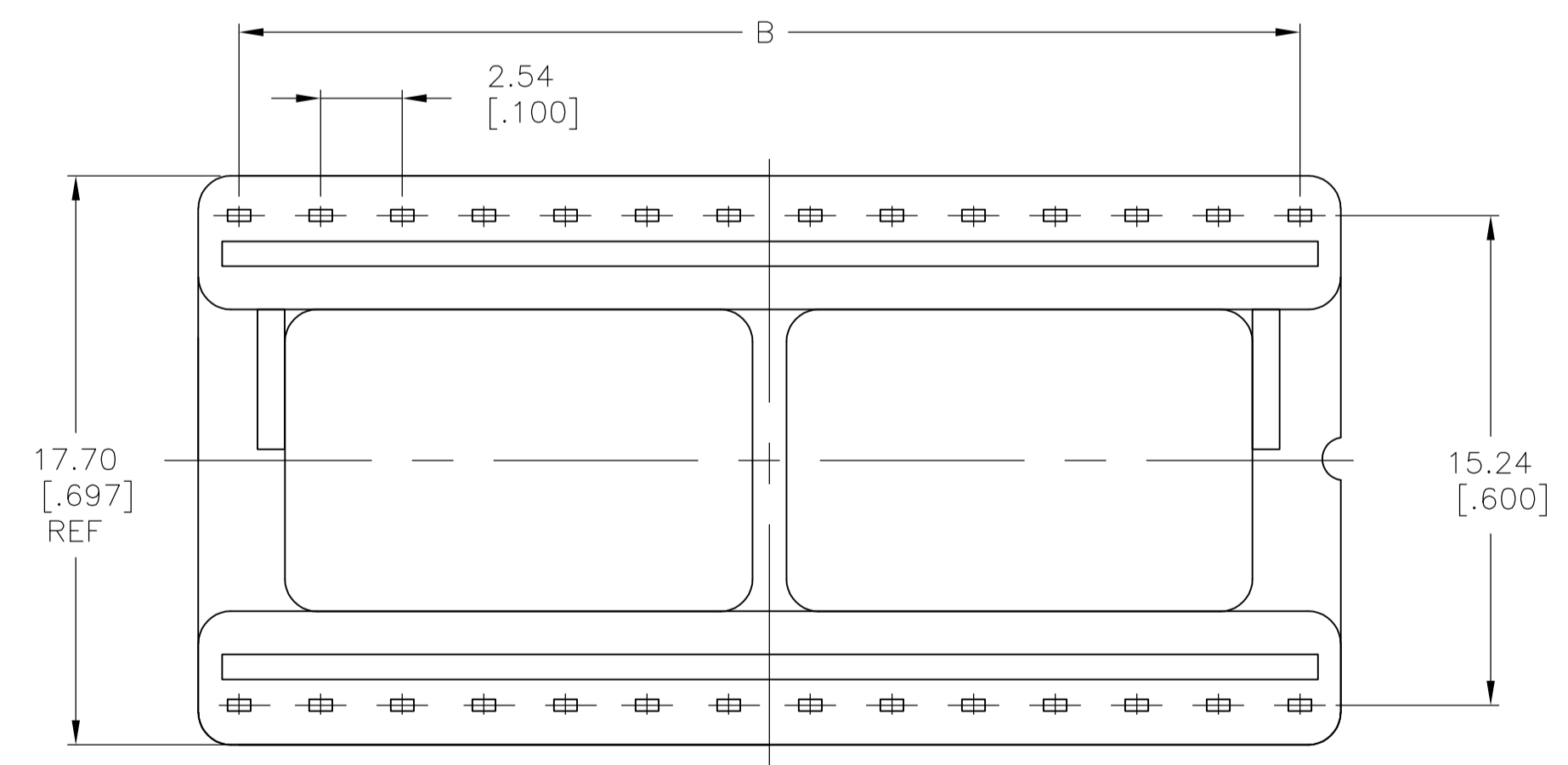
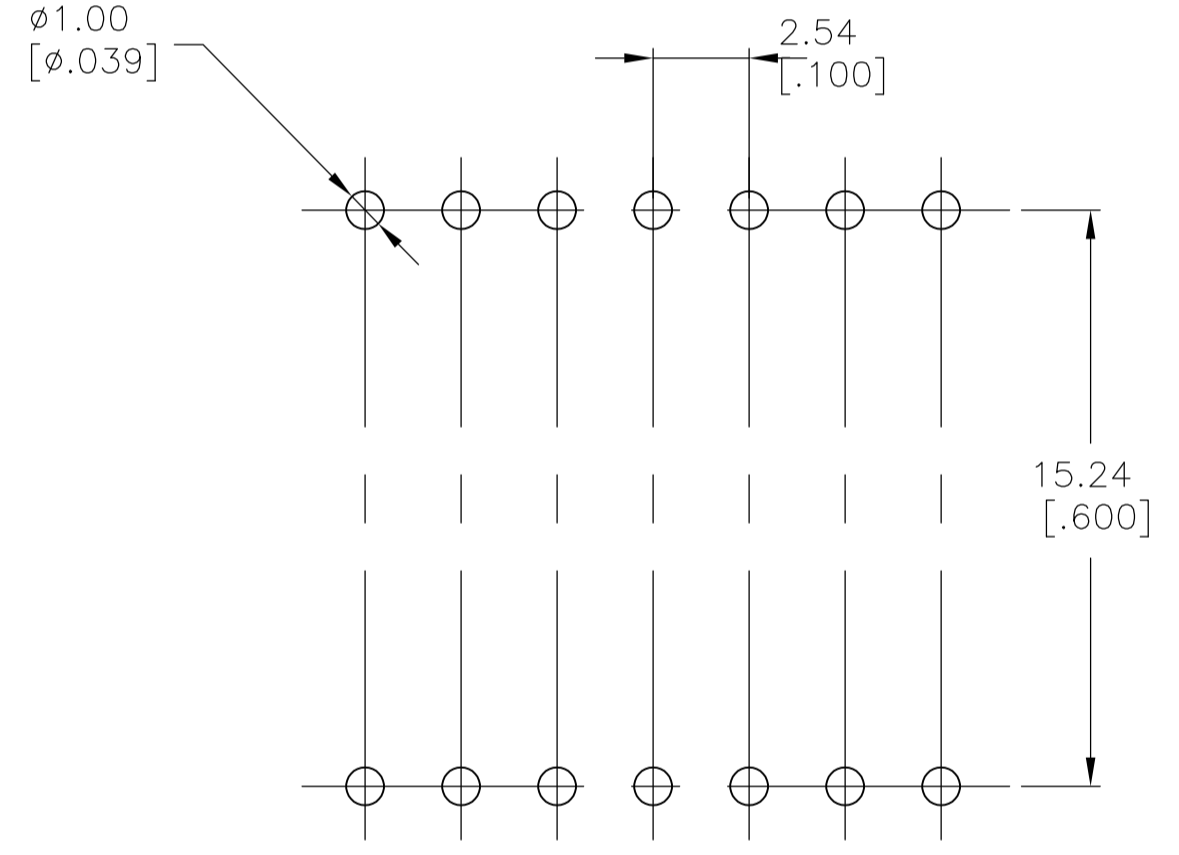
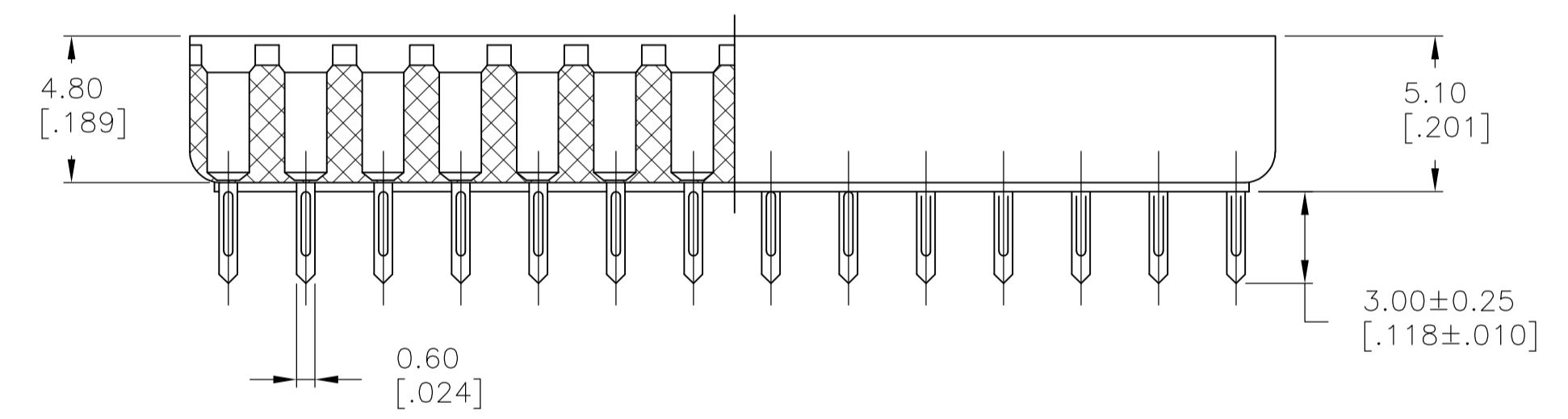
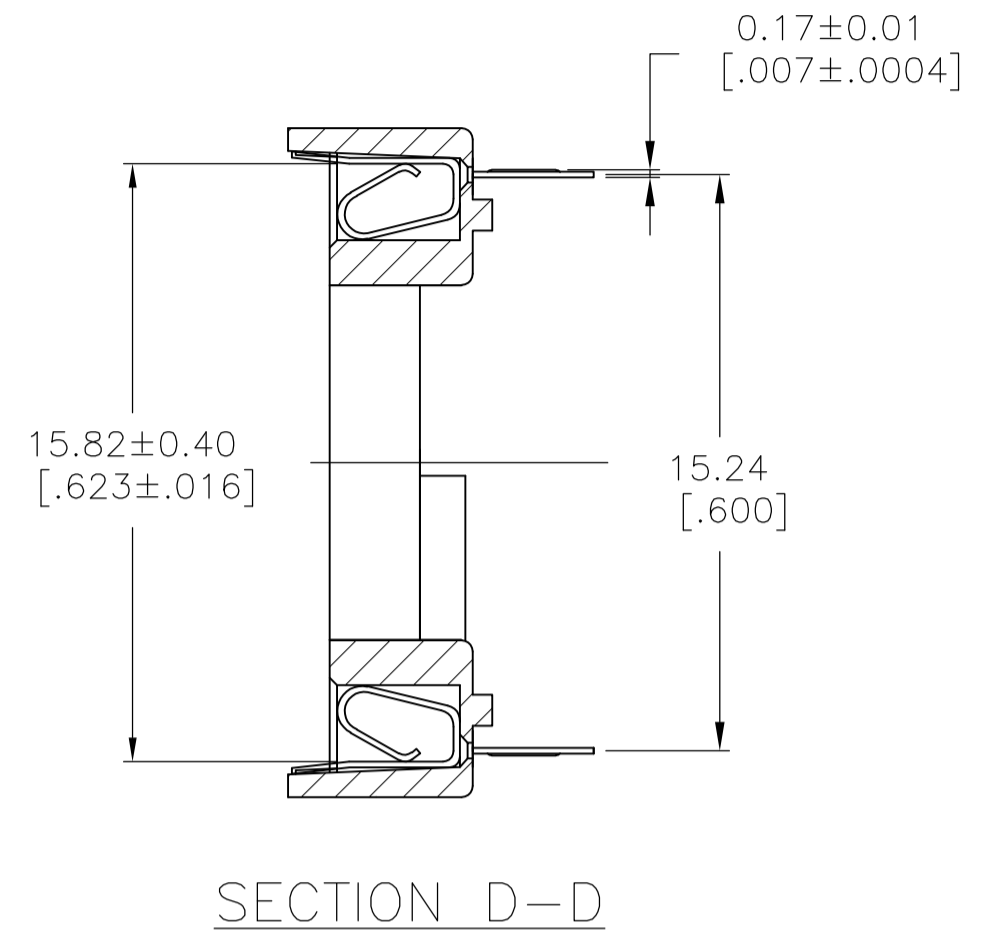
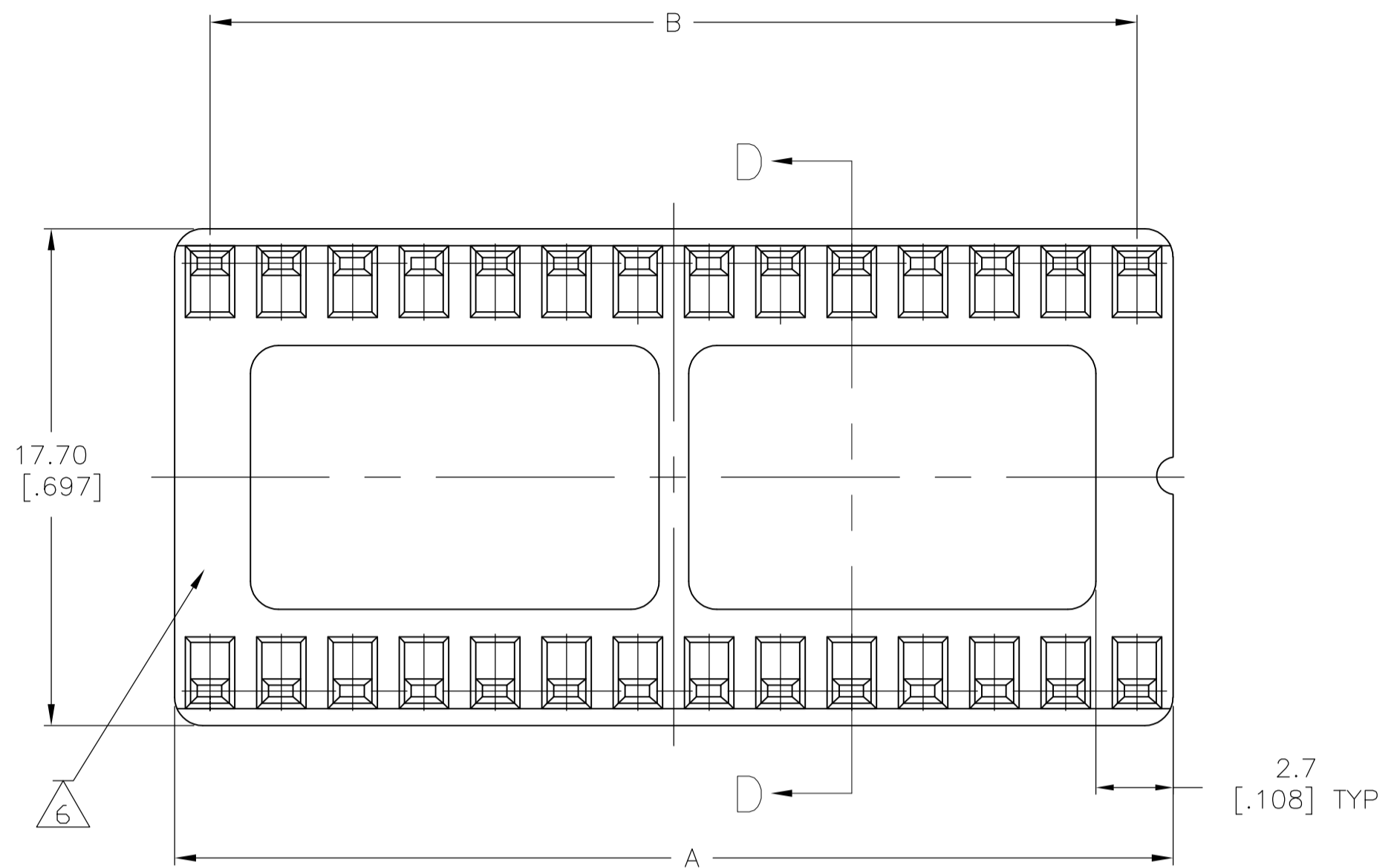
- [Distributor Inventory](#)
- [Product Cross Reference](#)
- [Documents & Drawings](#)
- [Product Compliance Support Center](#)
- [Site Map](#)

Customer Support

- [Email or Chat With Us](#)
- [Find a Phone Number](#)
- [Knowledge Base](#)
- [Manage Your Account](#)

Keep Me Informed





- NOTE:
- 1 MATERIAL:
HOUSING: 30% GLASS FILLED PBT, THERMOPLASTIC, BLACK.
CONTACT: PHOS BRONZE
 - 2 FINISH: CONTACT PLATING: TIN-LEAD (60μ INCHES MIN.)
SOLDERABILITY :95% COVERAGE MIN.;
TEST TEMPERATURE=230°C±5°C
TEST TIME = 5±5 SECONDS.
 - 3. MECHANICAL SPECS:
DURABILITY: 50 CYCLES MIN.
INSERTION FORCE:300 GRAMS MAX.
WITHDRAWAL FORCE: 20 GRAMS MIN.
CONTACT RETENTION: 500 GRAMS MIN.
ACCEPTS: 0.20-0.30 [.008-.012] LEADS
 - 4. ELECTRICAL SPECS:
VOLTAGE RATING: 250V AC,DC
CONTACT RESISTANCE: 20 MILLOHMS MAX.
CURRENT RATING: 1 AMPERE AC,DC
INSULATION RESISTANCE: 1000 MEGOHMS MIN.
DIELECTRIC WITHSTANDING VOLTAGE: AC 1000 V MIN.
 - 5. OPERATING TEMPERATURE: -40°C TO +105°C
 - 6 AMP LOGO
 - 7 FINISH: CONTACT PLATING TIN (LEAD FREE); 60 UIN MIN. OVER 30 UIN Ni
SOLDERABILITY :95% COVERAGE MIN.;
TEST TEMPERATURE=260'±5°C;
TEST TIME = 5±5 SECONDS.

SUPERSEDED BY 1-390262-7
 SUPERSEDED BY 1-390262-6
 SUPERSEDED BY 1-390262-5
 SUPERSEDED BY 1-390262-3
 SUPERSEDED BY 1-390262-2
 SUPERSEDED BY 1-390262-1

7	48	60.96 [2.400]	58.42 [2.300]	1-390262-7
7	42	53.34 [2.100]	50.8 [2.000]	1-390262-6
7	40	50.80 [2.000]	48.26 [1.900]	1-390262-5
7	32	40.64 [1.600]	38.10 [1.500]	1-390262-3
7	28	35.56 [1.400]	33.02 [1.300]	1-390262-2
7	24	30.48 [1.200]	27.94 [1.100]	1-390262-1
2	48	60.96 [2.400]	58.42 [2.300]	390262-7
2	42	53.34 [2.100]	50.8 [2.000]	390262-6
2	40	50.80 [2.000]	48.26 [1.900]	390262-5
2	32	40.64 [1.600]	38.10 [1.500]	390262-3
2	28	35.56 [1.400]	33.02 [1.300]	390262-2
2	24	30.48 [1.200]	27.94 [1.100]	390262-1
FINISH	POS	A±0.20 [.008]	B±0.15 [.006]	PART NO.

THIS DRAWING IS A CONTROLLED DOCUMENT. DIMENSIONS: mm [INCHES]. TOLERANCES UNLESS OTHERWISE SPECIFIED: 0 PLC ±, 1 PLC ±, 2 PLC ±, 3 PLC ± 0.2[.008], 4 PLC ±, ANGLES ±.

MATERIAL: 1. FINISH: 2-7.

STE TE Connectivity
 DIP SOCKET, .600 CENTER LINE LADDER STYLE

SIZE: A1. SCALE: 5:1. SHEET: 1 of 1. REV: M1.