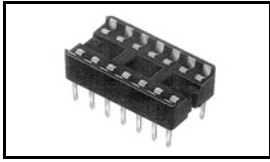


## 1-390262-5 Product Details

[Share](#) [Print](#) [Email](#)




1-390262-5

TE Internal Number: 1-390262-5

 Active

[View 3D PDF](#)

### DIP Sockets

 Always EU RoHS/ELV Compliant  
(Statement of Compliance)

### Product Highlights:

- Socket Style = Standard
- Through Hole Contact Termination Type
- 2.54 mm Centerline
- Row-to-Row Spacing = 15.24 mm
- 40 Positions

[View all Features](#)

### Quick Links

- ▶ [Pricing & Availability](#)
- ▶ [Search for Tooling](#)
- ▶ [Product Feature Selector](#)
- ▶ [Contact Us About This Product](#)

[Add to My Part List](#)

[Request Sample](#)

[Find Similar Products](#)

[Buy Product](#)

### Documentation & Additional Information

#### Product Drawings:

- [DIP SOCKET, .600 CENTER LINE LADDER STYLE \(PDF, English\)](#)

#### Catalog Pages/Data Sheets:

- None Available

#### Product Specifications:

- None Available

#### Application Specifications:

- None Available

#### Instruction Sheets:

- None Available

#### CAD Files: [\(CAD Format & Compression Information\)](#)

- [2D Drawing \(DXF, Version M\)](#)
- [3D Model \(IGES, Version M\)](#)
- [3D Model \(STEP, Version M\)](#)

[List all Documents](#)

#### Additional Information:

- [Product Line Information](#)

#### Related Products:

- [Tooling](#)

### Product Features (Please use the Product Drawing for all design activity)

#### Product Type Features:

- [Socket Style](#) = Standard
- [Profile](#) = Standard
- [Frame Style](#) = Ladder
- [Leg Style](#) = Straight
- [PCB Mounting Orientation](#) = Horizontal

#### Electrical Characteristics:

- [Insulation Resistance \(MΩ\)](#) = 10,000
- [Contact Resistance \(mΩ\)](#) = 30

#### Termination Features:

- [Contact Termination Type](#) = Through Hole
- [Termination Post Length \(mm \[in\]\)](#) = 3.00 [0.118]

#### Dimensions:

- [Height Above PC Board \(mm \[in\]\)](#) = 5.10 [0.200]

#### Body Features:

#### Housing Features:

- [Centerline \(mm \[in\]\)](#) = 2.54 [0.100]

#### Configuration Features:

- [Number of Positions](#) = 40

#### Industry Standards:

- [RoHS/ELV Compliance](#) = RoHS compliant, ELV compliant
- [Lead Free Solder Processes](#) = Wave solder capable to 240°C, Wave solder capable to 260°C, Wave solder capable to 265°C
- [RoHS/ELV Compliance History](#) = Always was RoHS compliant

#### Conditions for Usage:

- [Temperature Range \(°C\)](#) = -40 - +105

#### Packaging Features:

- [Row-to-Row Spacing \(mm \[in\]\)](#) = 15.24 [0.600]
- [Mount Style](#) = Vertical

**Contact Features:**

- [Contact Base Material](#) = Phosphor Bronze
- [Contact Plating, Mating Area, Material](#) = Tin
- [Contact Style](#) = Stamped + Formed
- [Mating Contact Type](#) = Dual Leaf

- [Packaging Method](#) = Tube

**Other:**

- [Brand](#) = AMP

---

**Corporate Information**

- [About TE](#)
- [Investors](#)
- [News Room](#)
- [Supplier Portal](#)
- [Careers](#)
- [Terms & Conditions](#)
- [Privacy Policy](#)

**Quick Links**

- [Distributor Inventory](#)
- [Product Cross Reference](#)
- [Documents & Drawings](#)
- [Product Compliance Support Center](#)
- [Site Map](#)

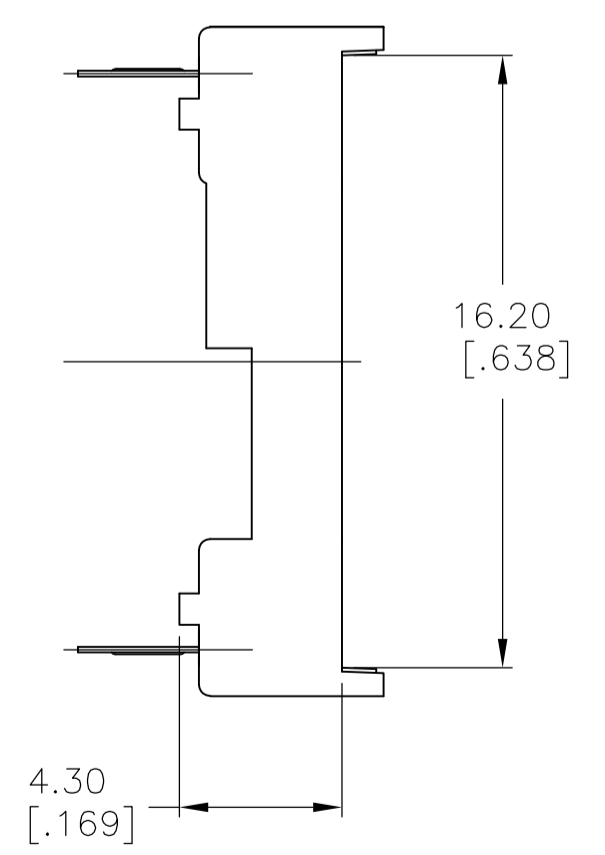
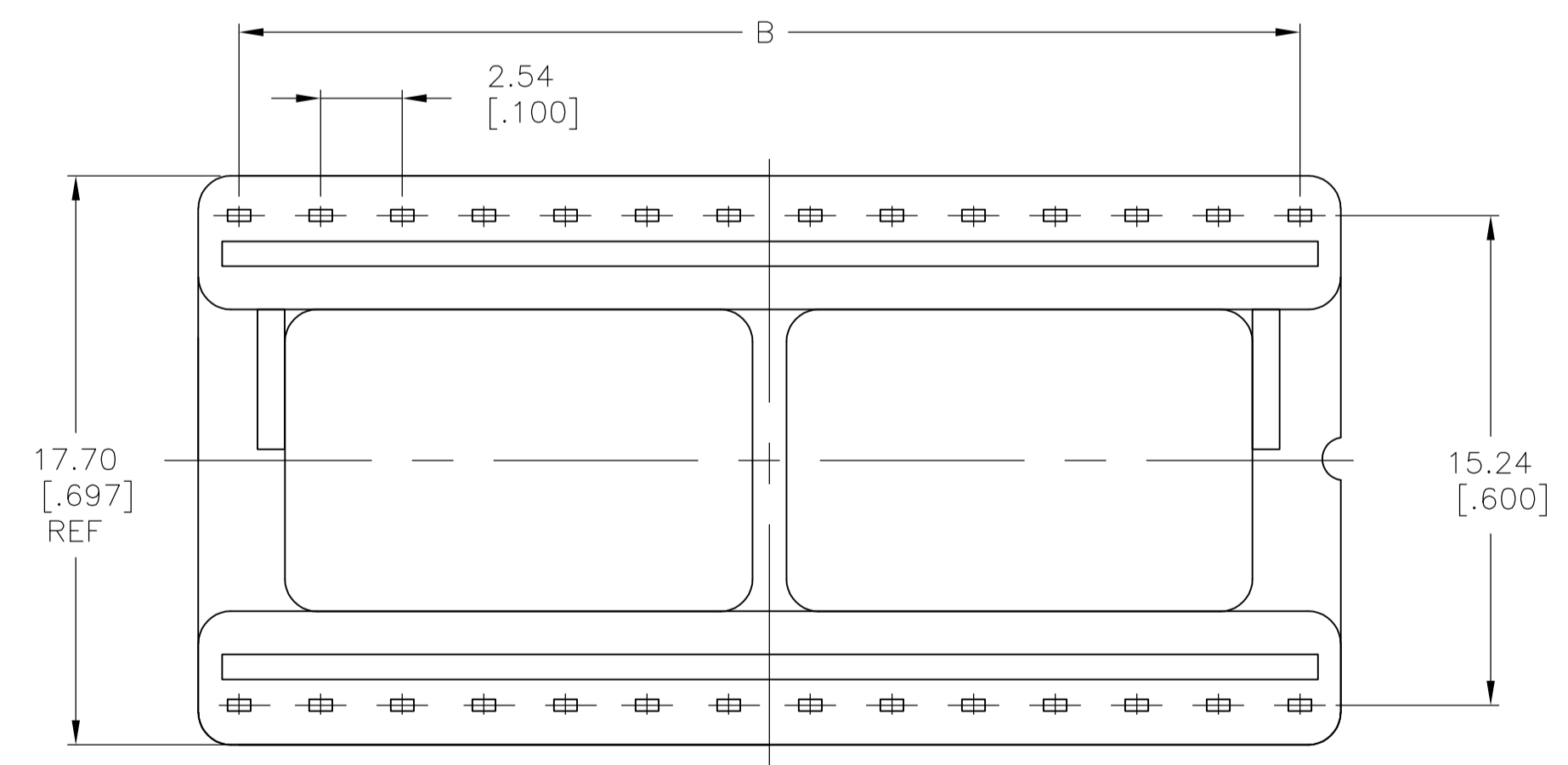
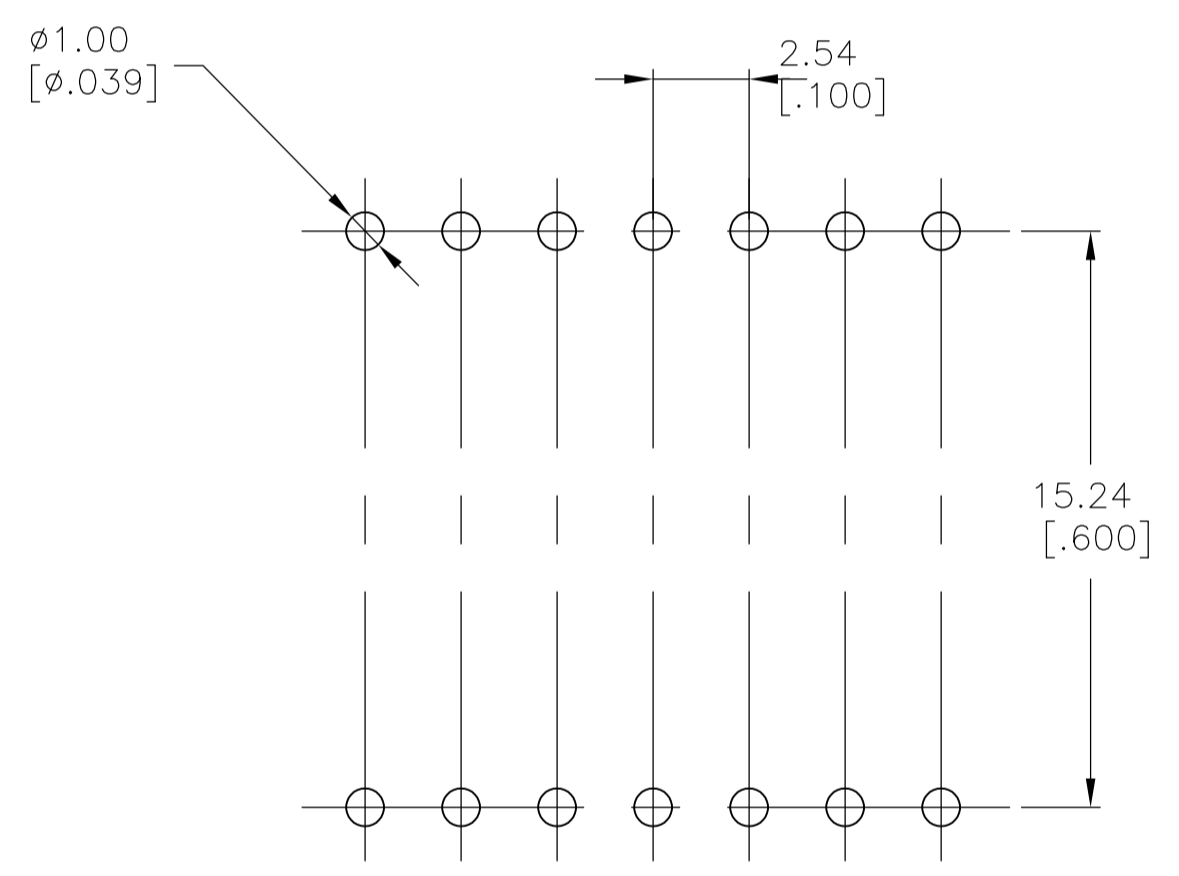
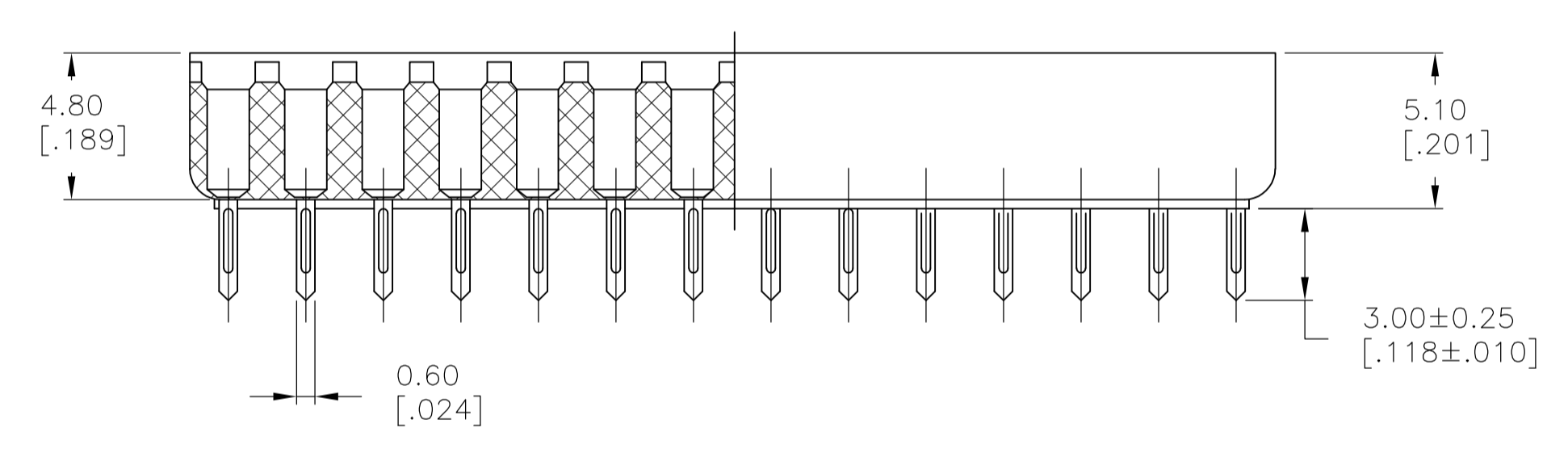
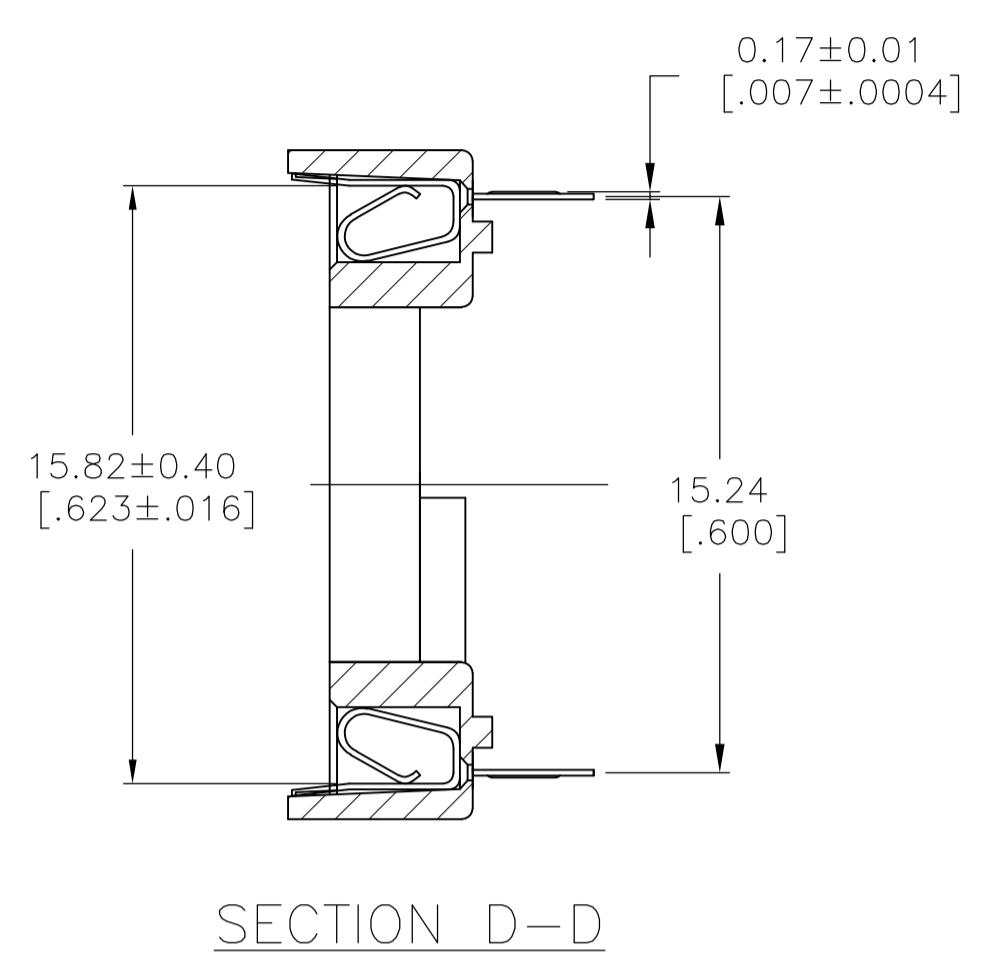
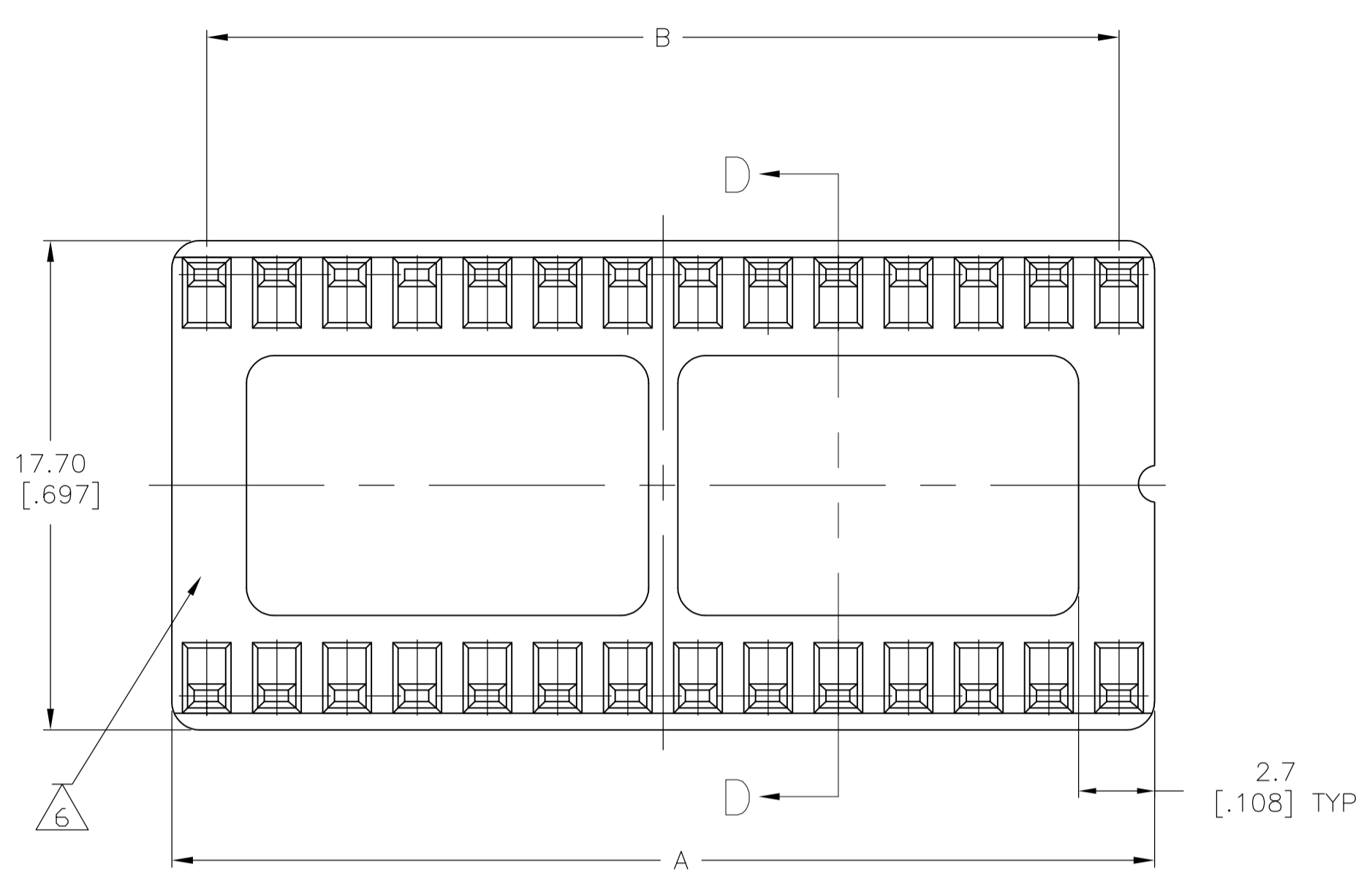
**Customer Support**

- [Email or Chat With Us](#)
- [Find a Phone Number](#)
- [Knowledge Base](#)
- [Manage Your Account](#)

**Keep Me Informed**



| LOC |                           | DIST |         | REVISIONS |     |      |  |
|-----|---------------------------|------|---------|-----------|-----|------|--|
| AD  | 00                        | REV  | DATE    | BY        | CHK | APPV |  |
| M1  | REVISED PER ECO-11-004587 |      | 11MAR11 | RK        | HMR |      |  |



- NOTE:
- MATERIAL:  
HOUSING: 30% GLASS FILLED PBT, THERMOPLASTIC, BLACK.  
CONTACT: PHOS BRONZE
  - FINISH: CONTACT PLATING: TIN-LEAD (60μ INCHES MIN.)  
SOLDERABILITY :95% COVERAGE MIN.;  
TEST TEMPERATURE=230°C±5°C  
TEST TIME = 5±5 SECONDS.
  - MECHANICAL SPECS:  
DURABILITY: 50 CYCLES MIN.  
INSERTION FORCE:300 GRAMS MAX.  
WITHDRAWAL FORCE: 20 GRAMS MIN.  
CONTACT RETENTION: 500 GRAMS MIN.  
ACCEPTS: 0.20-0.30 [.008-.012] LEADS
  - ELECTRICAL SPECS:  
VOLTAGE RATING: 250V AC,DC  
CONTACT RESISTANCE: 20 MILLOHMS MAX.  
CURRENT RATING: 1 AMPERE AC,DC  
INSULATION RESISTANCE: 1000 MEGOHMS MIN.  
DIELECTRIC WITHSTANDING VOLTAGE: AC 1000 V MIN.
  - OPERATING TEMPERATURE: -40°C TO +105°C
  - AMP LOGO
  - FINISH: CONTACT PLATING TIN (LEAD FREE); 60 UIN MIN. OVER 30 UIN Ni  
SOLDERABILITY :95% COVERAGE MIN.;  
TEST TEMPERATURE=260'±5°C;  
TEST TIME = 5±5 SECONDS.

SUPERSEDED BY 1-390262-7  
 SUPERSEDED BY 1-390262-6  
 SUPERSEDED BY 1-390262-5  
 SUPERSEDED BY 1-390262-3  
 SUPERSEDED BY 1-390262-2  
 SUPERSEDED BY 1-390262-1

|        |     |               |               |            |
|--------|-----|---------------|---------------|------------|
| △7     | 48  | 60.96 [2.400] | 58.42 [2.300] | 1-390262-7 |
| △7     | 42  | 53.34 [2.100] | 50.8 [2.000]  | 1-390262-6 |
| △7     | 40  | 50.80 [2.000] | 48.26 [1.900] | 1-390262-5 |
| △7     | 32  | 40.64 [1.600] | 38.10 [1.500] | 1-390262-3 |
| △7     | 28  | 35.56 [1.400] | 33.02 [1.300] | 1-390262-2 |
| △7     | 24  | 30.48 [1.200] | 27.94 [1.100] | 1-390262-1 |
| △2     | 48  | 60.96 [2.400] | 58.42 [2.300] | 390262-7   |
| △2     | 42  | 53.34 [2.100] | 50.8 [2.000]  | 390262-6   |
| △2     | 40  | 50.80 [2.000] | 48.26 [1.900] | 390262-5   |
| △2     | 32  | 40.64 [1.600] | 38.10 [1.500] | 390262-3   |
| △2     | 28  | 35.56 [1.400] | 33.02 [1.300] | 390262-2   |
| △2     | 24  | 30.48 [1.200] | 27.94 [1.100] | 390262-1   |
| FINISH | POS | A±0.20 [.008] | B±0.15 [.006] | PART NO.   |

THIS DRAWING IS A CONTROLLED DOCUMENT. DIN BSV 07SEP04

|                         |  |                  |   |
|-------------------------|--|------------------|---|
| DIMENSIONS: mm [INCHES] | TOLERANCES UNLESS OTHERWISE SPECIFIED: | APVD             | NAME                                      |
| 0 PL ±                  | 1 PL ±                                 |                  | DIP SOCKET, .600 CENTER LINE LADDER STYLE |
| 2 PL ±                  | 3 PL ± 0.2[.008]                       | PRODUCT SPEC     |   |
| 4 PL ±                  | ANGLES ±                               | APPLICATION SPEC |   |
| MATERIAL                | FINISH                                 | SIZE             | CAGE CODE                                 |
| 1                       | 2-7                                    | A1               | -   |
| CUSTOMER DRAWING        |  | SCALE            | SHEET                                     |
|                         |  | 5:1              | 1 of 1                                    |
|                         |  | REV              | M1  |

STE TE Connectivity