

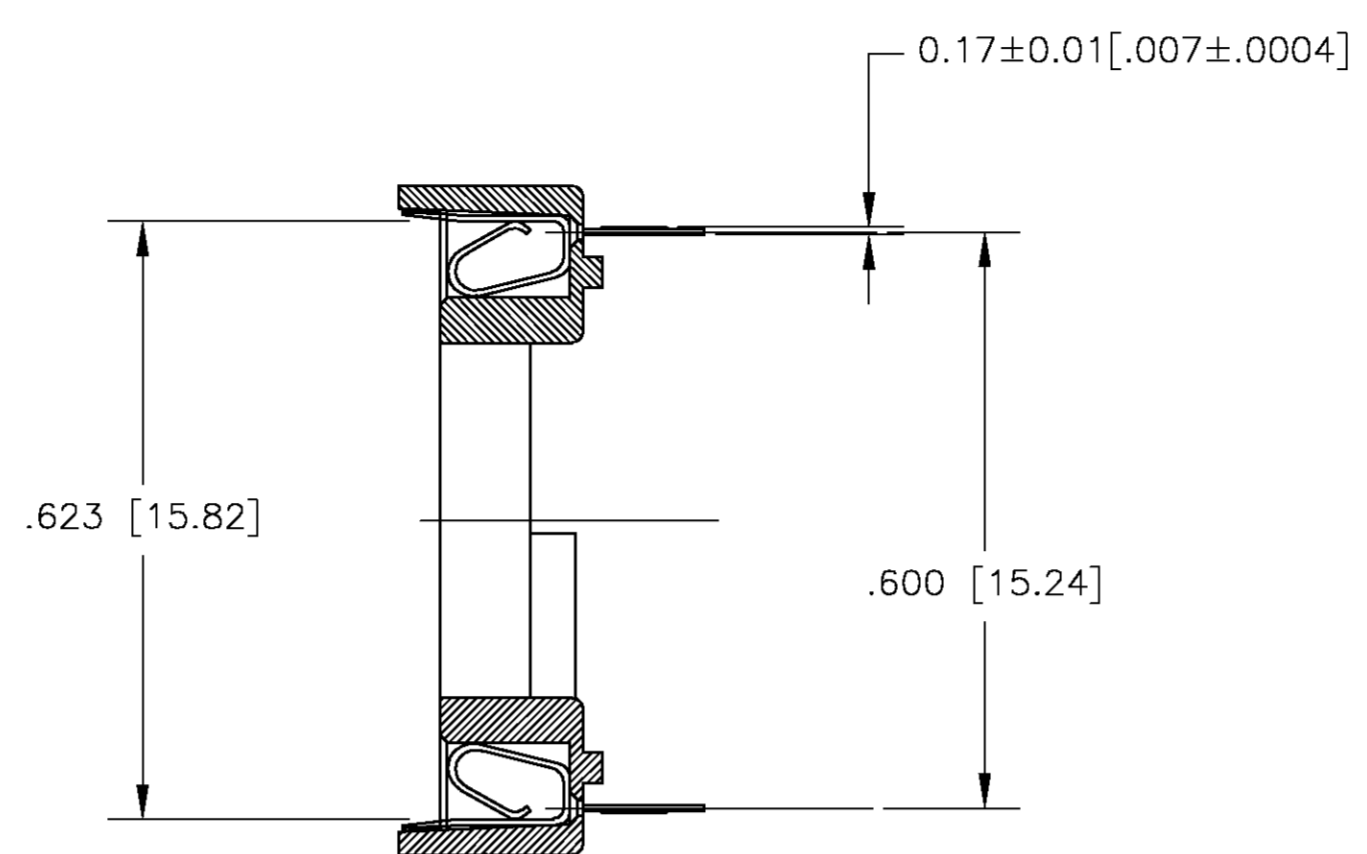
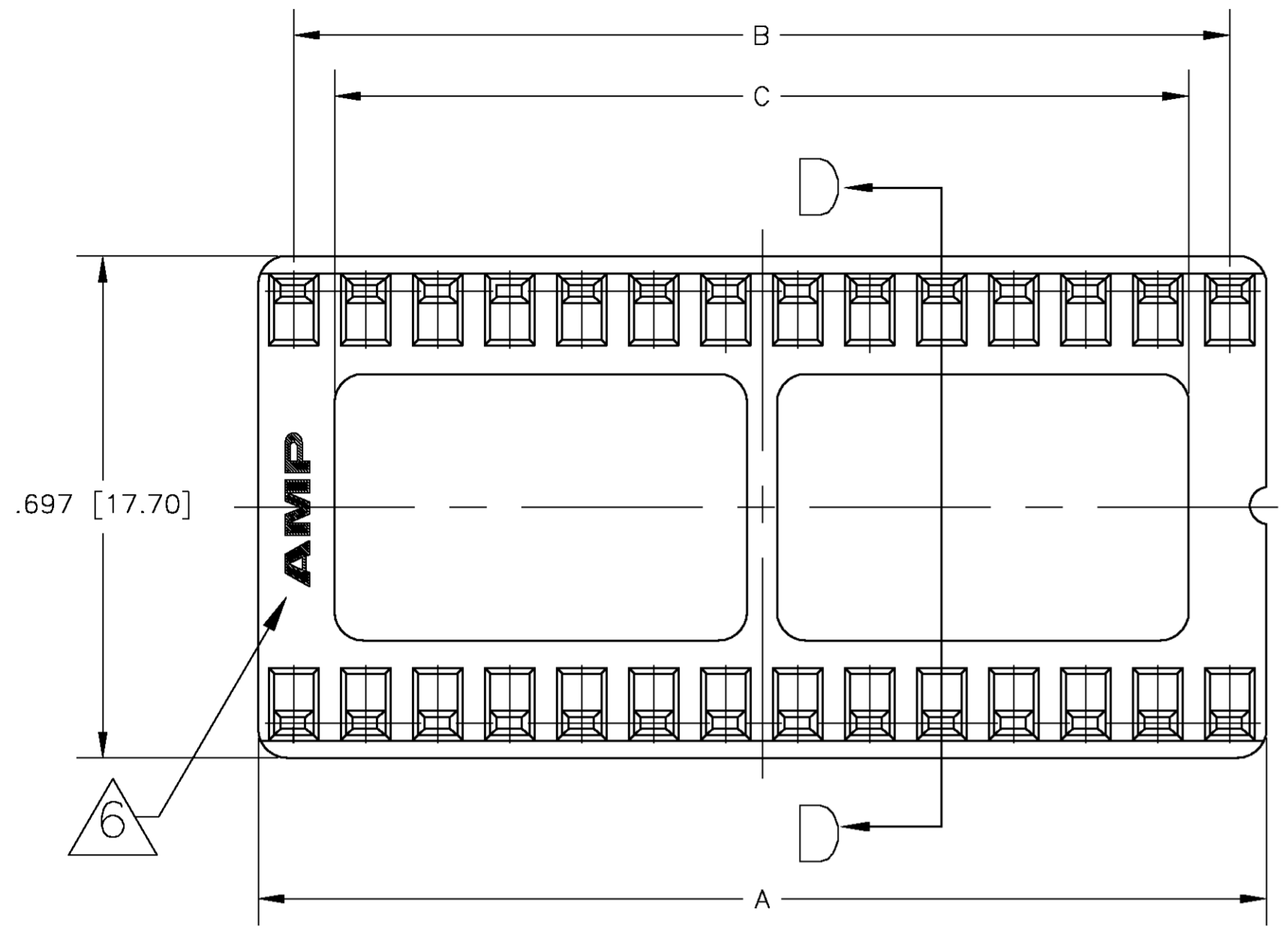
Distributed by:



[www.Jameco.com](http://www.Jameco.com) ♦ 1-800-831-4242

The content and copyrights of the attached material are the property of its owner.

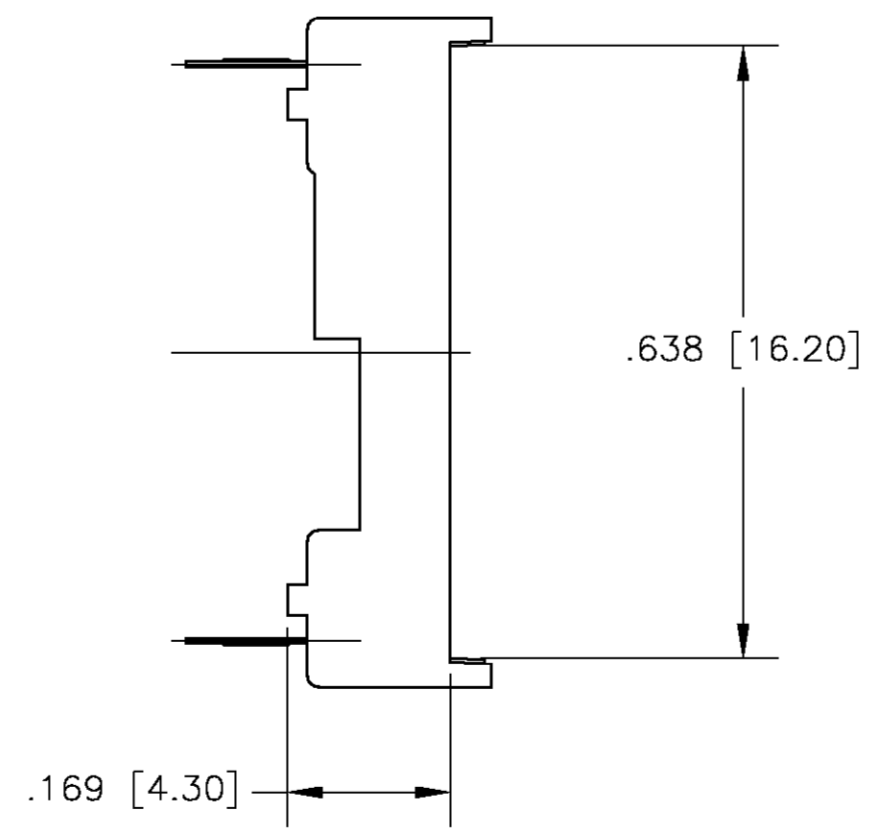
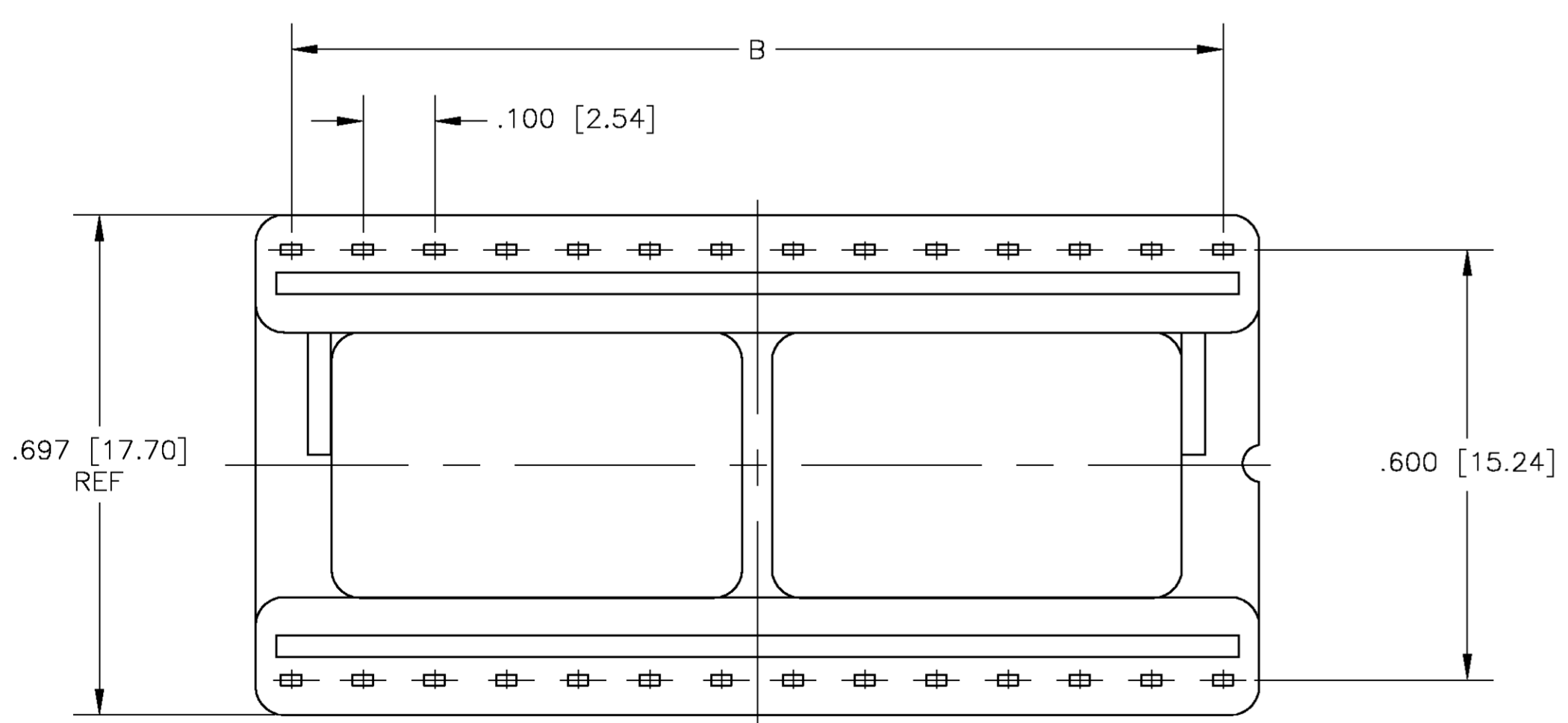
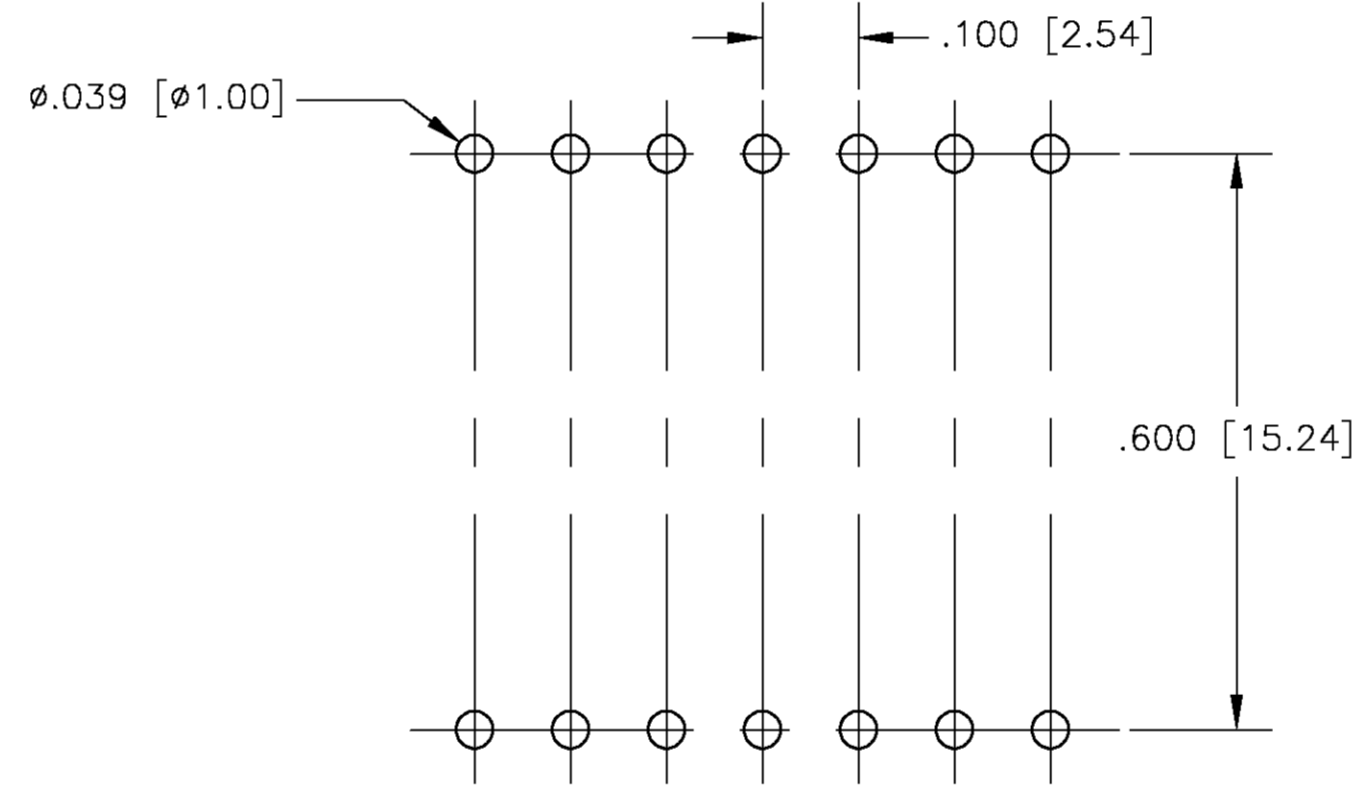
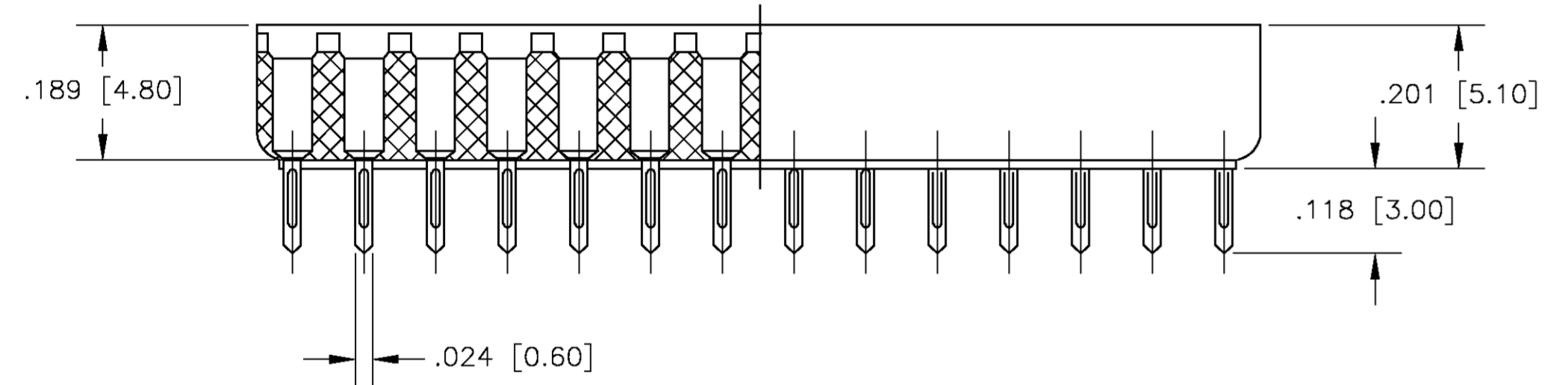
Jameco Part Number 683227



SECTION D-D

NOTE:--

1. MATERIAL:  
HOUSING: 30% GLASS FILLED PBT, THERMOPLASTIC, BLACK.  
CONTACT: PHOS BRONZE
2. FINISH: CONTACT PLATING: TIN-LEAD (60u INCHES MIN.)  
SOLDERABILITY :95% COVERAGE MIN.;  
TEST TEMPERATURE=230°C±5°C  
TEST TIME = 5±5 SECONDS.
3. MECHANICAL SPECS:  
DURABILITY: 50 CYCLES MIN.  
INSERTION FORCE:300 GRAMS MAX.  
WITHDRAWAL FORCE: 20 GRAMS MIN.  
CONTACT RETENTION: 500 GRAMS MIN.  
ACCEPTS: 0.20-0.30 [.008-.012] LEADS
4. ELECTRICAL SPECS:  
VOLTAGE RATING: 250V AC,DC  
CONTACT RESISTANCE: 20 MILLOHMS MAX.  
CURRENT RATING: 1 AMPERE AC,DC  
INSULATION RESISTANCE: 1000 MEGOHMS MIN.  
DIELECTRIC WITHSTANDING VOLTAGE: AC 1000 V MIN.  
OPERATING TEMPERATURE: -40°C TO +105°C
6. AMP LOGO
7. FINISH: CONTACT PLATING TIN (LEAD FREE); 60 UIN MIN. OVER 30 UIN NI  
SOLDERABILITY :95% COVERAGE MIN.;  
TEST TEMPERATURE=260°±5°C;  
TEST TIME = 5±5 SECONDS.



FINISH	POS	A±0.20 [.008]	B±0.10 [.004]	C±0.15 [.004]	PART NO.
2	24	30.48 [1.200]	27.94 [1.100]	25.10 [.988]	390262-1
2	28	35.56 [1.400]	33.02 [1.300]	30.12 [1.19]	390262-2
2	32	40.64 [1.600]	38.10 [1.500]	35.20 [1.39]	390262-3
2	40	50.80 [2.000]	48.26 [1.900]	45.36 [1.79]	390262-5
2	42	53.34 [2.100]	50.08 [1.97]	47.90 [1.89]	390262-6
2	48	60.96 [2.400]	58.42 [2.300]	55.52 [2.19]	390262-7
7	24	30.48 [1.200]	27.94 [1.100]	25.10 [.988]	1-390262-1
7	28	35.56 [1.400]	33.02 [1.300]	30.12 [1.19]	1-390262-2
7	32	40.64 [1.600]	38.10 [1.500]	35.20 [1.39]	1-390262-3
7	40	50.80 [2.000]	48.26 [1.900]	45.36 [1.79]	1-390262-5
7	42	53.34 [2.100]	50.08 [1.97]	47.90 [1.89]	1-390262-6
7	48	60.96 [2.400]	58.42 [2.300]	55.52 [2.19]	1-390262-7

THIS DRAWING IS A CONTROLLED DOCUMENT.

DIMENSIONS: INCHES	TOLERANCES UNLESS OTHERWISE SPECIFIED:	DWN: BSV	07SEP2004	Tyco Electronics Corporation Harrisburg, Pa 17105-3808
0 PL ±	1 PL ±	CHK: -	APVD: -	
2 PL ±	3 PL ±	NAME: -		DIP SOCKET, .600 CENTER LINE LADDER STYLE
4 PL ±	ANGLES ±	PRODUCT SPEC: -		
MATERIAL: 1	FINISH: 2	APPLICATION SPEC: -		RESTRICTED TO: -
CUSTOMER DRAWING		SIZE: A1	CAGE CODE: 00779	DRAWING NO: 390262
		SCALE: 5:1	SHEET: 1 OF 1	REV: H