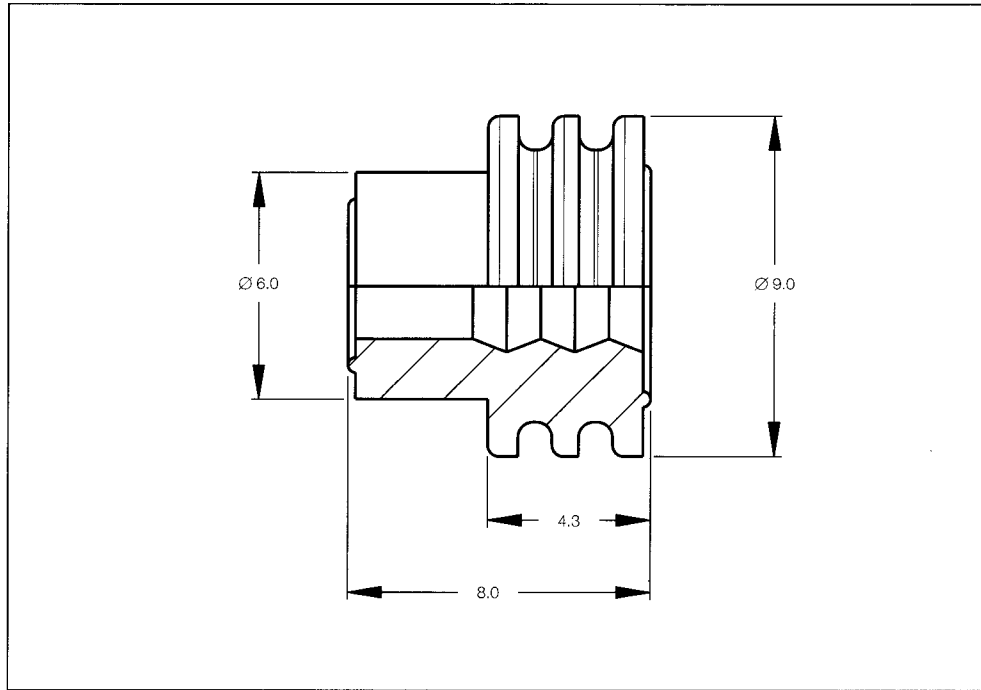


Single Wire Seals and Cavity Plugs

**Single Wire Seals
and Cavity Plugs
for AMP MCP 6.3/4.8K
Contact System
(Cavity Diameter 8.5 mm)**



Insulation Diameter (mm)	Color	Part Number	Package Quantity
2.0-2.7	White	1394511-1	10,000
3.4-3.7	Blue	1394512-1	10,000
Cavity Plug	Transparent	967652-1	20,000

