

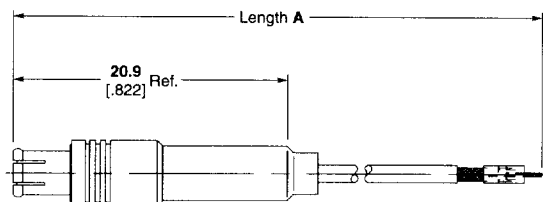


RF Coax Connectors

SMT | QuickGrip™ Connectors (Continued)

Inter-Series Cable Assemblies (Continued)

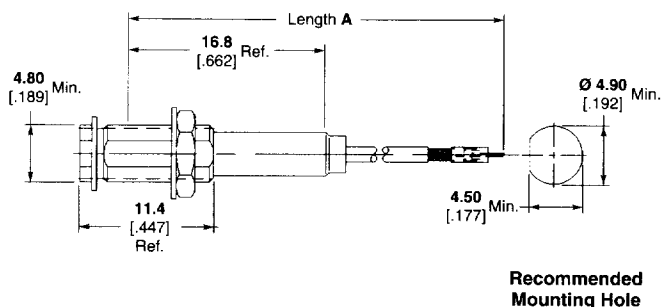
MCX Straight Plug



Cable	Assembly Length (A)	M/A-COM Model No.	Part No.
Omni-Flex 100	100 [4]	9970-4100-06	1330400-1
	200 [8]	9970-4200-06	1330400-2
	305 [12]	9970-4305-06	1330400-3
Omni-Flex 200	100 [4]	9980-4100-06	1330400-4
	200 [8]	9980-4200-06	1330400-5
	305 [12]	9980-4305-06	1330400-6

Note:
1. Cable length tolerances: Length 'A' mm [In], Tolerance mm [In],
50 to 100 [3.94], ±3 [± .12], 101 to 500 [3.98 to 19.69], ±5 [± .20],
Over 500 [19.69], ±10 [± .39]

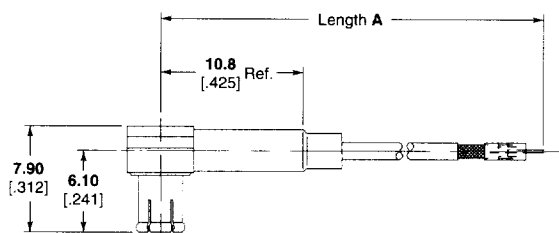
MCX Bulkhead Jack



Cable	Assembly Length (A)	M/A-COM Model No.	Part No.
Omni-Flex 100	100 [4]	9970-4100-07	1408051-1
	200 [8]	9970-4200-07	1408051-2
	305 [12]	9970-4305-07	1408051-3
Omni-Flex 200	100 [4]	9980-4100-07	1408051-4
	200 [8]	9980-4200-07	1408051-5
	305 [12]	9980-4305-07	1408051-6

Note:
1. Cable length tolerances: Length 'A' mm [In], Tolerance mm [In],
50 to 100 [3.94], ±3 [± .12], 101 to 500 [3.98 to 19.69], ±5 [± .20],
Over 500 [19.69], ±10 [± .39]

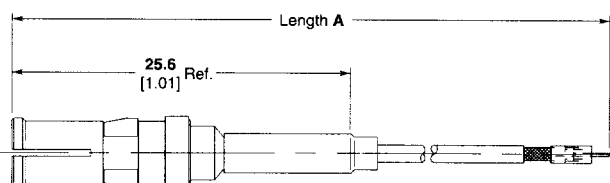
MCX Right Angle Plug



Cable	Assembly Length (A)	M/A-COM Model No.	Part No.
Omni-Flex 100	100 [4]	9970-4100-08	1330401-1
	200 [8]	9970-4200-08	1330401-2
	305 [12]	9970-4305-08	1330401-3
Omni-Flex 200	100 [4]	9980-4100-08	1330401-4
	200 [8]	9980-4200-08	1330401-5
	305 [12]	9980-4305-08	1330401-6

Note:
1. Cable length tolerances: Length 'A' mm [In], Tolerance mm [In],
50 to 100 [3.94], ±3 [± .12], 101 to 500 [3.98 to 19.69], ±5 [± .20],
Over 500 [19.69], ±10 [± .39]

50 Ohm D-sub Coaxial Receptacle



Cable	Assembly Length (A)	M/A-COM Model No.	Part No.
Omni-Flex 100	100 [4]	9970-4100-09	1408052-1
	200 [8]	9970-4200-09	1408052-2
	305 [12]	9970-4305-09	1408052-3
Omni-Flex 200	100 [4]	9980-4100-09	1408052-4
	200 [8]	9980-4200-09	1408052-5
	305 [12]	9980-4305-09	1408052-6

Note:
1. Cable length tolerances: Length 'A' mm [In], Tolerance mm [In],
50 to 100 [3.94], ±3 [± .12], 101 to 500 [3.98 to 19.69], ±5 [± .20],
Over 500 [19.69], ±10 [± .39]