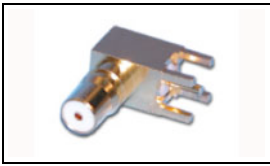


1408337-1 Product Details

[Share](#) [Print](#) [Email](#)



1408337-1

TE Internal Number: 1408337-1

Active

[View 3D PDF](#)

SMA/QMA RF Connectors

Always EU RoHS/ELV Compliant (Statement of Compliance)

Product Highlights:

- Applies To Printed Circuit Board
- Connector - RF
- RF Connector Type = QMA
- Jack
- Without Snap-Lock

[View all Features](#)

Quick Links

- ▶ [Pricing & Availability](#)
- ▶ [Search for Tooling](#)
- ▶ [Product Feature Selector](#)
- ▶ [Contact Us About This Product](#)

[Add to My Part List](#)

[Request Sample](#)

[Find Similar Products](#)

[Buy Product](#)

Documentation & Additional Information

Product Drawings:

- [QMA RIGHT ANGLE PWB JACK](#) (PDF, English)

Catalog Pages/Data Sheets:

- [QMA Connectors](#) (PDF, English)

Product Specifications:

- [QMA \(Snap-On Mating Style Coaxial Connector\)](#) (PDF, English)

Application Specifications:

- None Available

Instruction Sheets:

- None Available

CAD Files: [\(CAD Format & Compression Information\)](#)

- [2D Drawing](#) (DXF, Version A)
- [3D Model](#) (IGES, Version A)
- [3D Model](#) (STEP, Version A)

[List all Documents](#)

Related Products:

- [Tooling](#)

Product Features (Please use the Product Drawing for all design activity)

Product Type Features:

- [Product Type](#) = Connector - RF
- [RF Connector Type](#) = QMA
- [Gender](#) = Jack
- [PCB Mounting Orientation](#) = Right Angle
- [Retractable Collar](#) = Without
- [Dielectric Material](#) = PTFE

Mechanical Attachment:

- [Panel Mount Retention](#) = Without

Electrical Characteristics:

- [Impedance \(Ω\)](#) = 50

Dimensions:

- [Length \(mm \[in\]\)](#) = 13.60 [0.535]

Body Features:

- [Body Style](#) = Right Angle
- [Body Material](#) = Brass
- [Body Finish](#) = Gold

Contact Features:

- [Center Contact](#) = With
- [Center Contact Material](#) = Beryllium Copper
- [Center Contact Plating](#) = Gold

Configuration Features:

- [Snap-Lock](#) = Without

Industry Standards:

- [Government/Industry Qualification](#) = No
- [RoHS/ELV Compliance](#) = RoHS compliant, ELV compliant
- [Lead Free Solder Processes](#) = Wave solder capable to 240°C, Wave solder capable to 260°C, Reflow solder capable to 265°C, Reflow solder capable to 245°C, Pin-in-Paste capable to 260°C, Pin-in-Paste capable to 245°C, Pin-in-Paste capable to 260°C
- [RoHS/ELV Compliance History](#) = Always was RoHS compliant

Conditions for Usage:

- [Applies To](#) = Printed Circuit Board

Other:

- [Brand](#) = TE Connectivity

Corporate Information

- [About TE](#)
- [Investors](#)
- [News Room](#)
- [Supplier Portal](#)

Quick Links

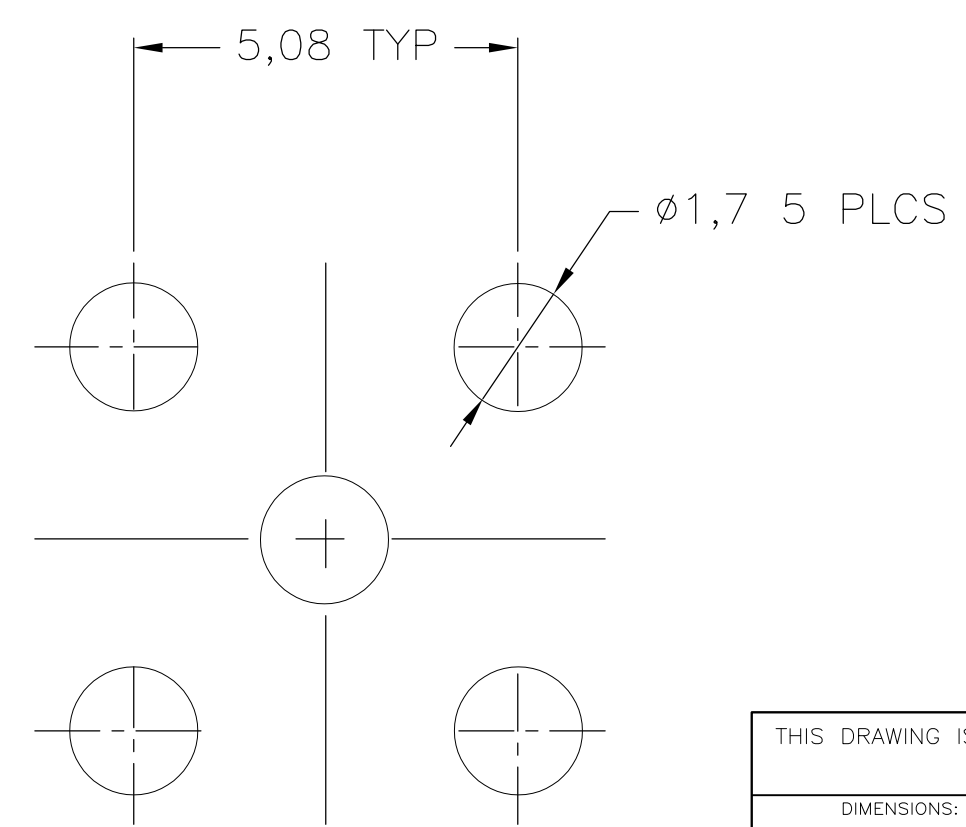
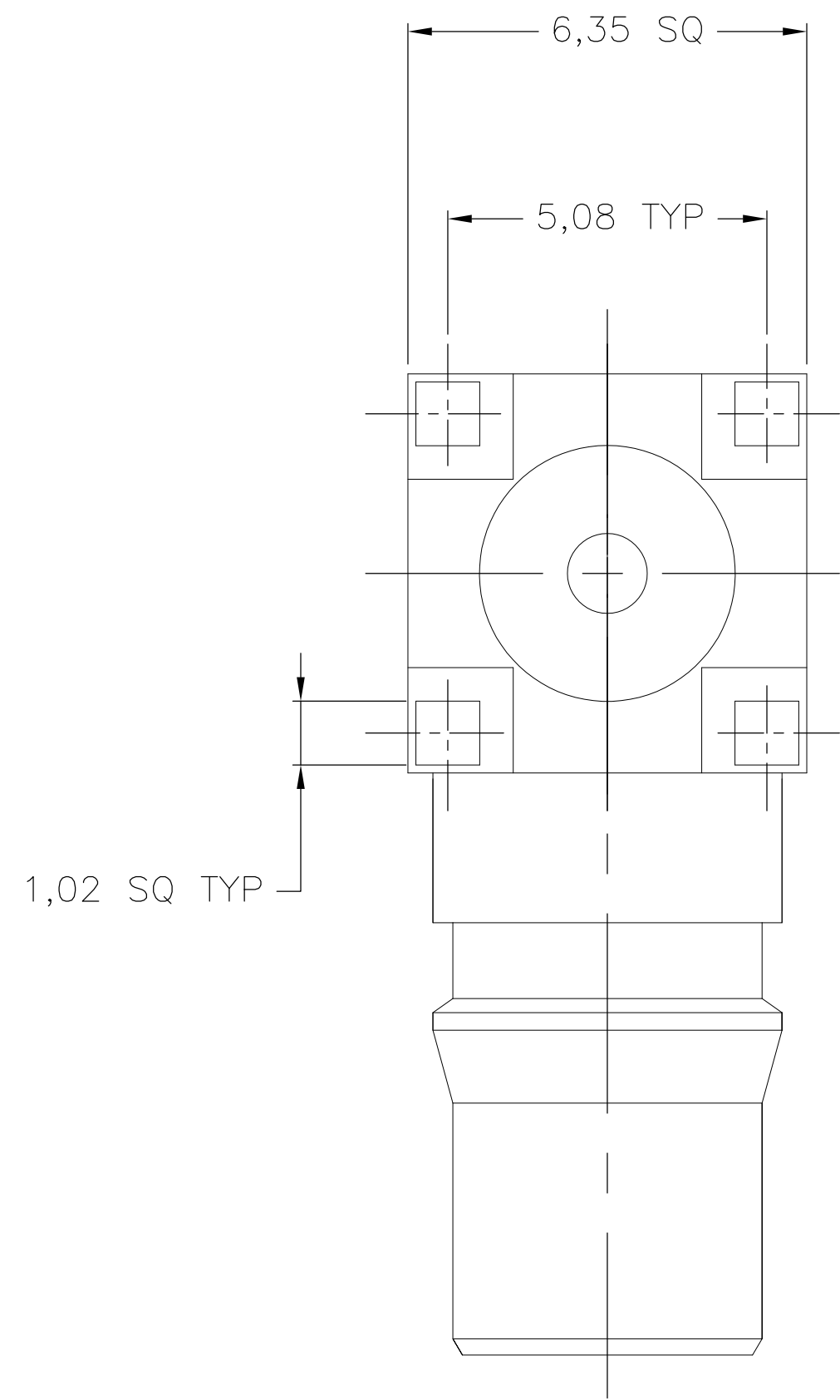
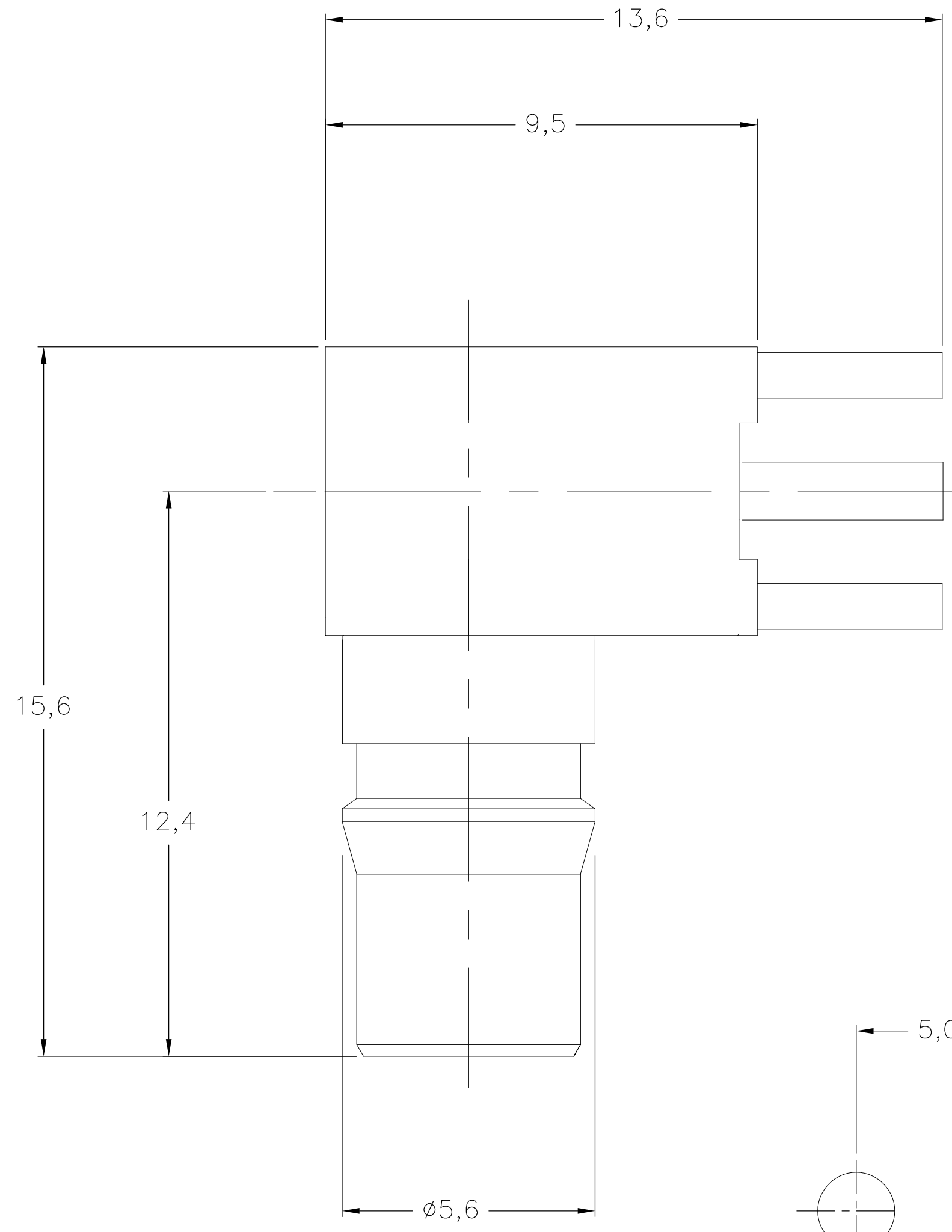
- [Distributor Inventory](#)
- [Product Cross Reference](#)
- [Documents & Drawings](#)
- [Product Compliance Support Center](#)

Customer Support

- [Email or Chat With Us](#)
- [Find a Phone Number](#)
- [Knowledge Base](#)
- [Manage Your Account](#)

THIS DRAWING IS UNPUBLISHED. RELEASED FOR PUBLICATION
 © COPYRIGHT BY TYCO ELECTRONICS CORPORATION. ALL INTERNATIONAL RIGHTS RESERVED.

LOC	DIST	REVISIONS			
P	LTR	DESCRIPTION	DATE	DWN	APVD
HC	00				
B		REV PER ECO 09-011512	5/27/2009	DW	JO



RECOMMENDED MOUNTING HOLE

1408337-1
PART NO.

CONTACT	BERYLLIUM COPPER	GOLD
HOUSING	BRASS	GOLD
DIELECTRIC	PTFE	N/A
COMPONENT	MATERIAL	FINISH

THIS DRAWING IS A CONTROLLED DOCUMENT.		DWN	16NOV2001	Tyco Electronics Corporation Harrisburg, PA 17105-3608	
DIMENSIONS: mm		CHK	-	NAME	
TOLERANCES UNLESS OTHERWISE SPECIFIED:		APVD	-	QMA RIGHT ANGLE PWB JACK	
0 PLC ± -		PRODUCT SPEC	108-2087	SIZE	A2
1 PLC ± 0,2		APPLICATION SPEC	-	CAGE CODE	00779
2 PLC ± 0,13		WEIGHT	-	DRAWING NO	C=1408337
3 PLC ± -		CUSTOMER DRAWING	-	RESTRICTED TO	-
4 PLC ± -		SCALE	10:1	SHEET	1 of 1
ANGLES ± 1		REV	B		