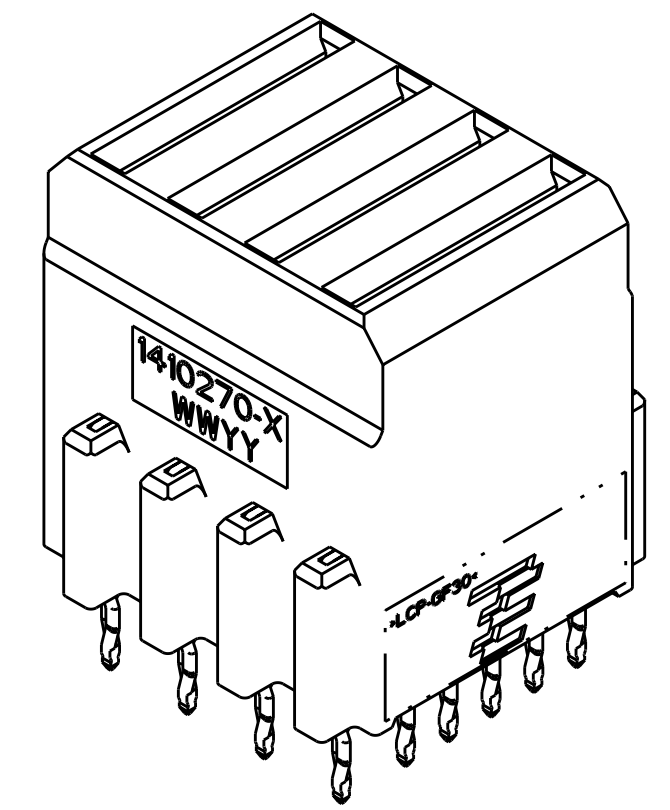
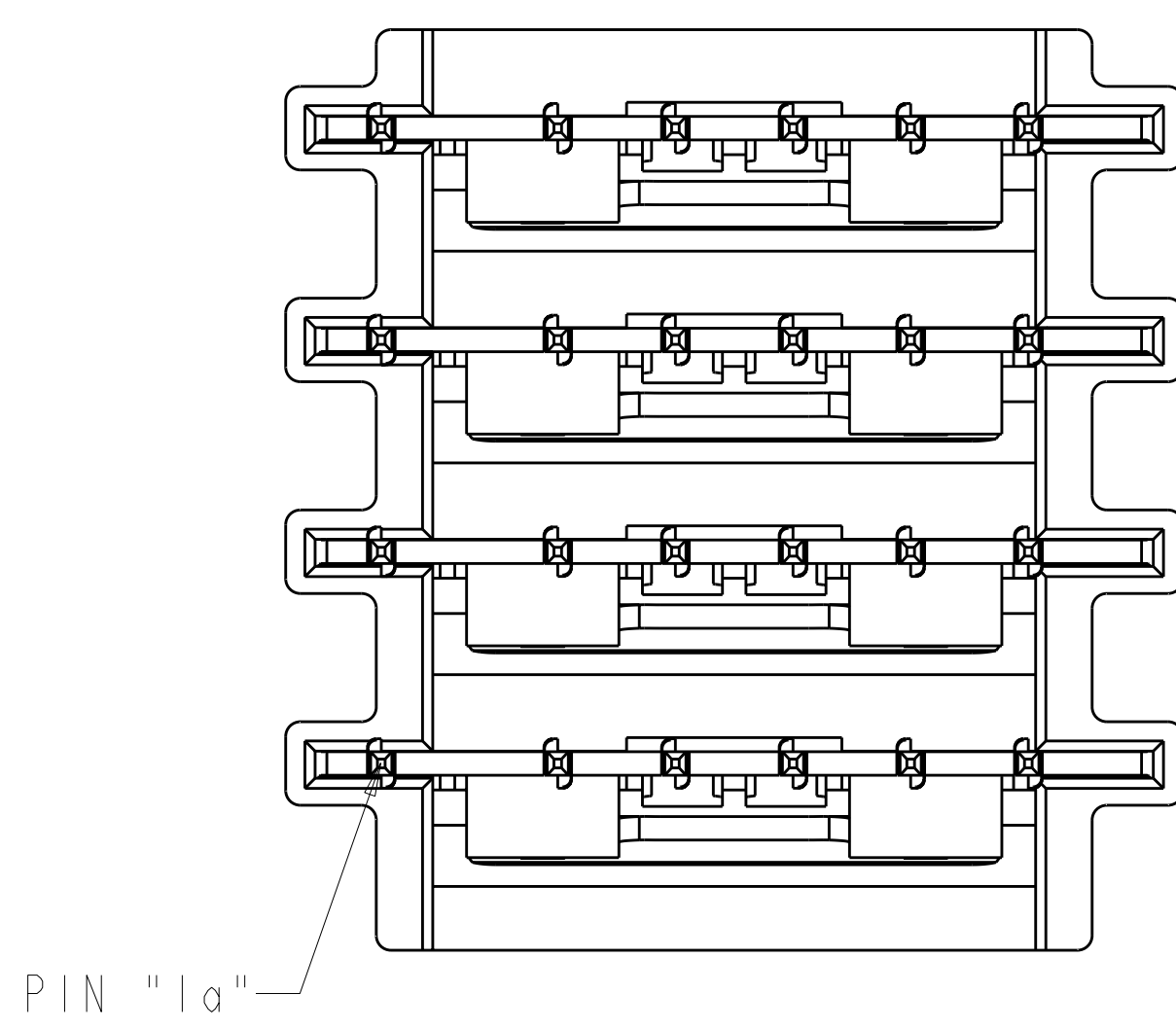
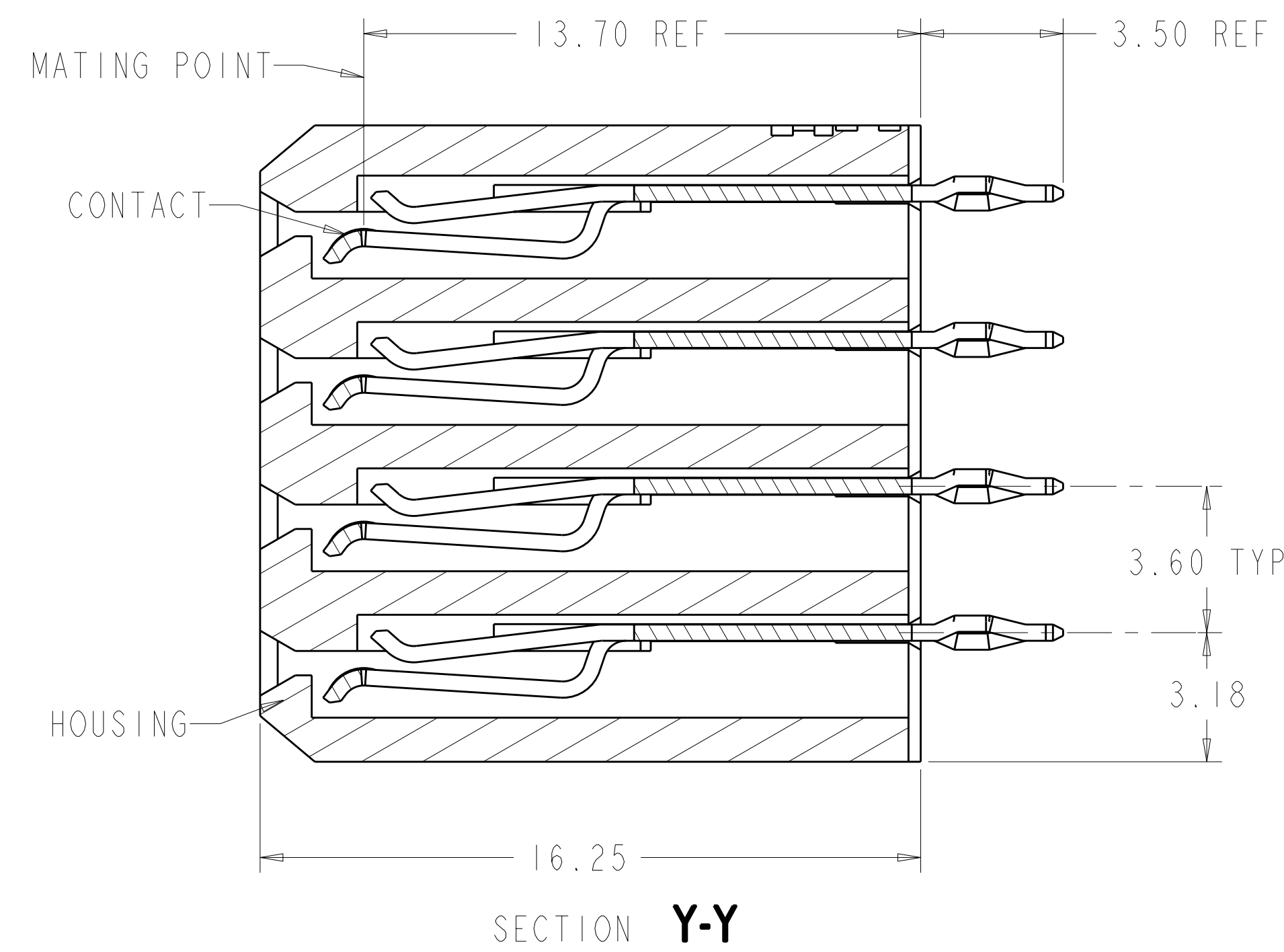
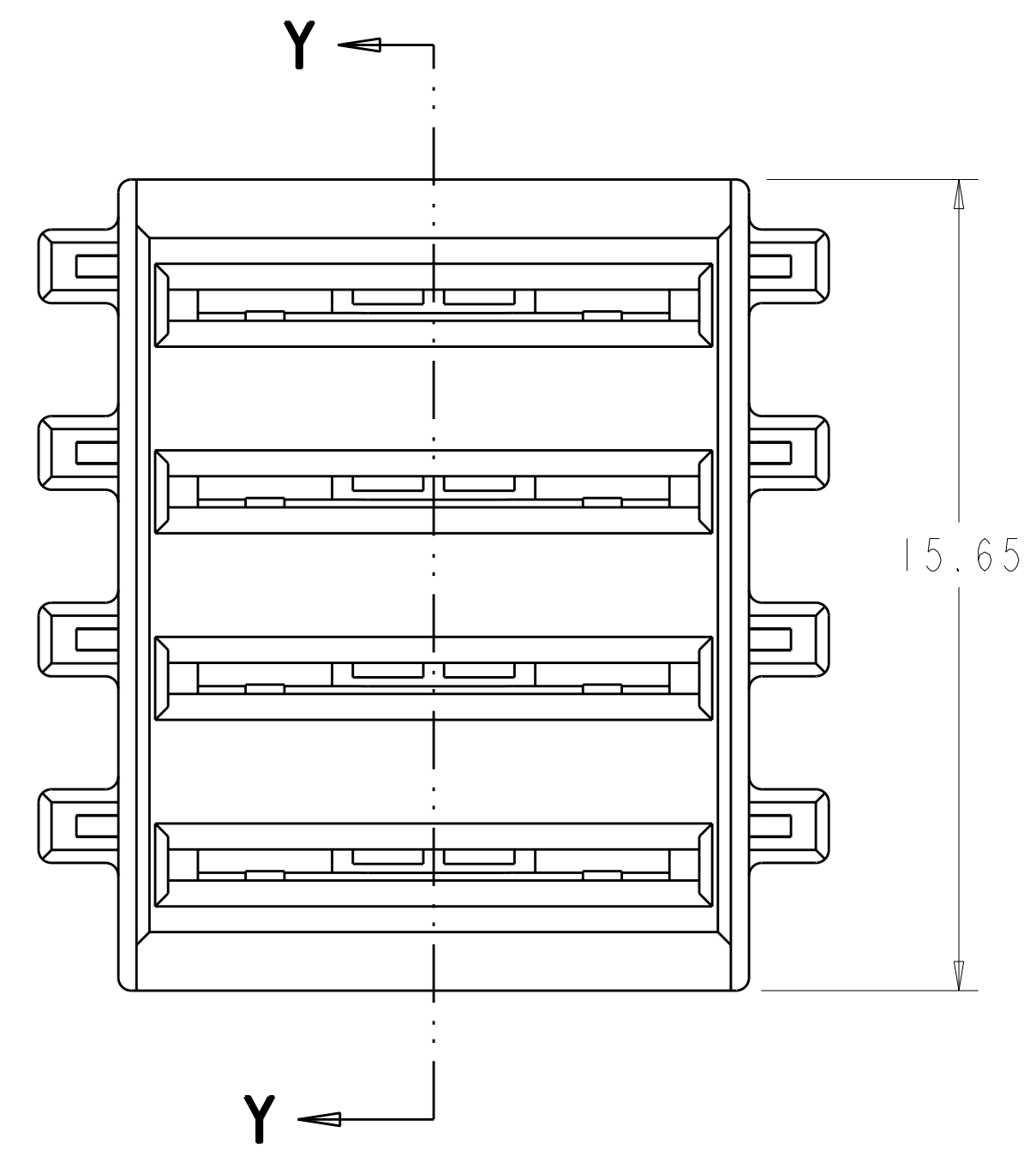
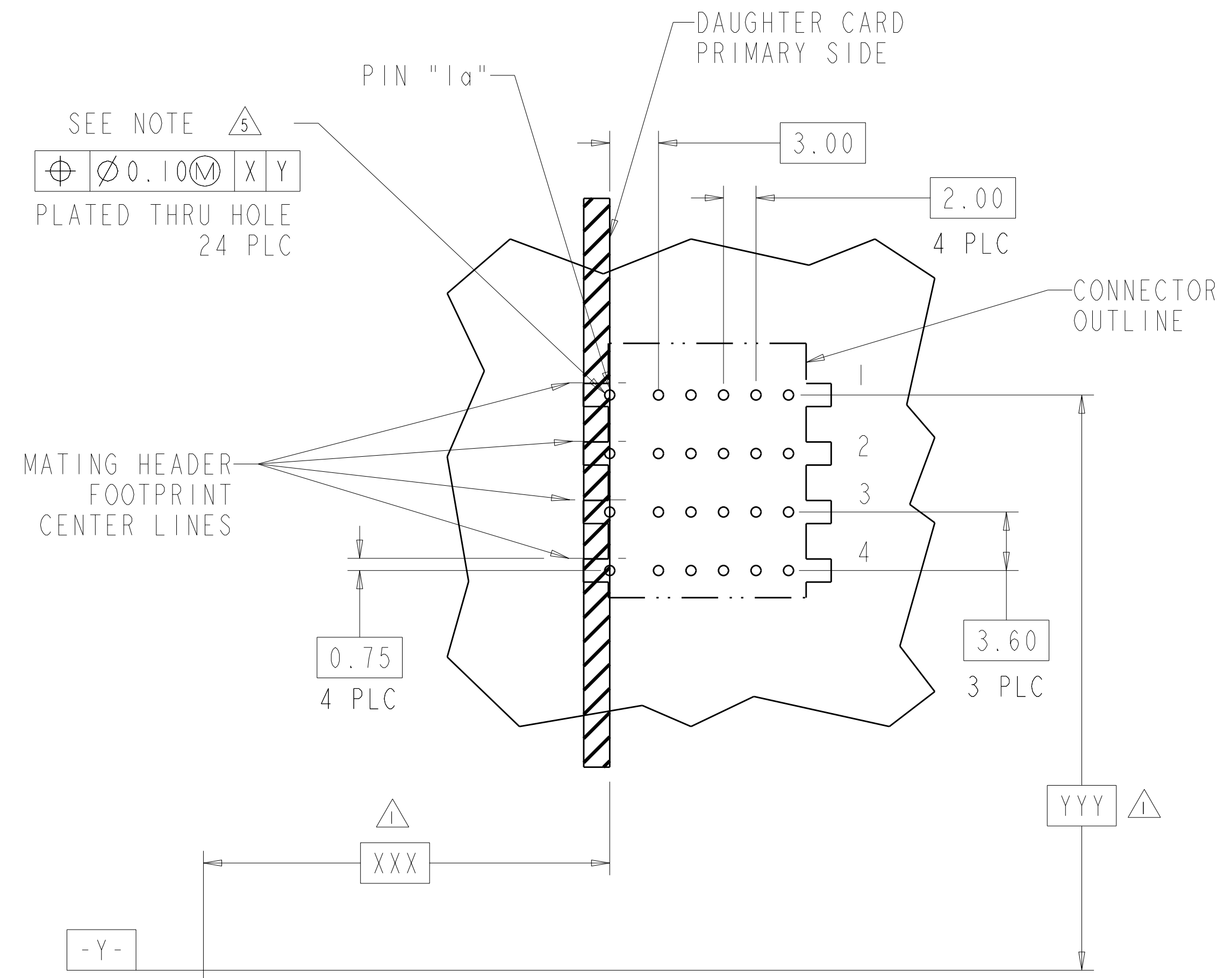
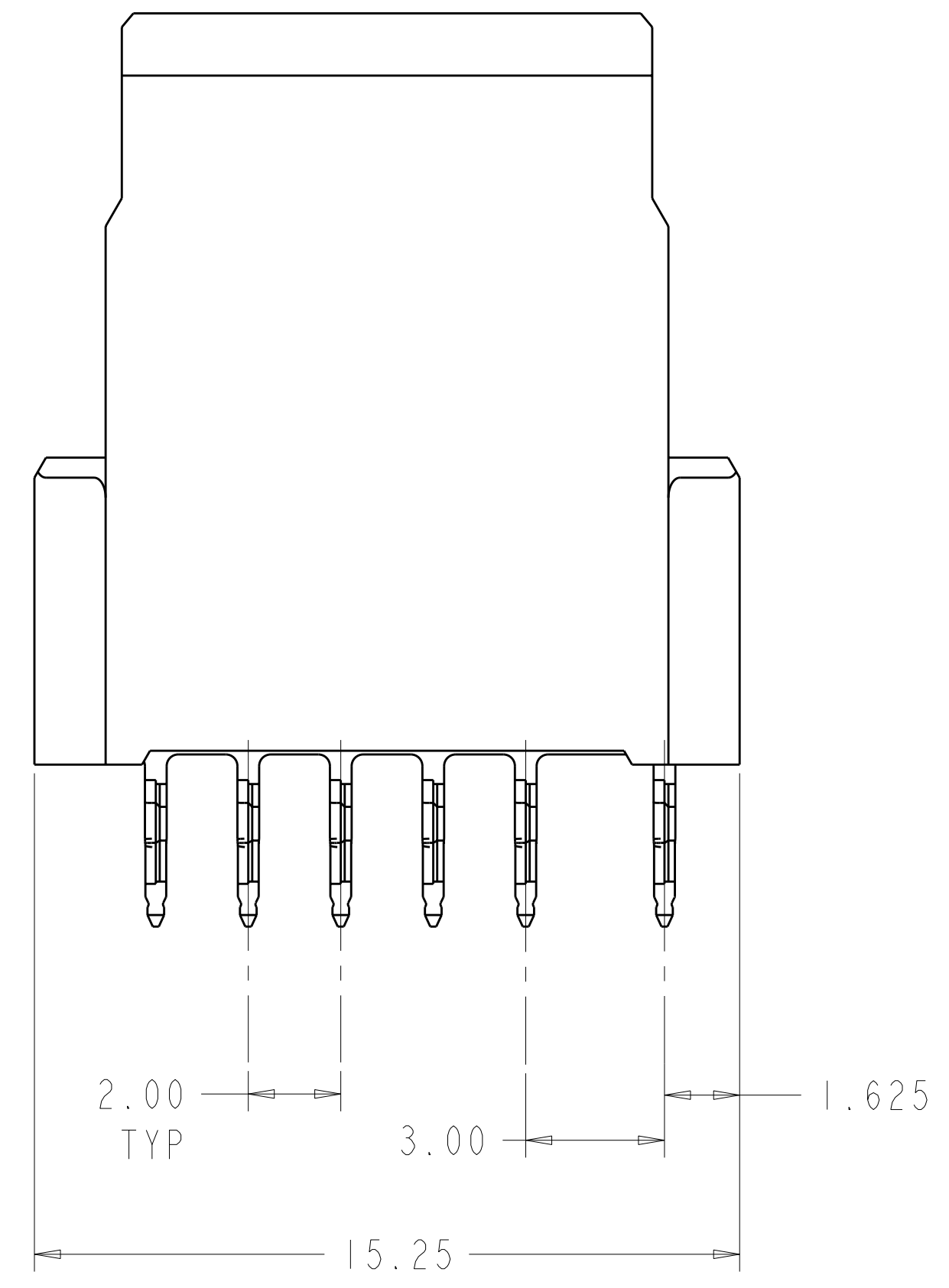


LOC	DIST	REV	DATE	BY	APPD
AD	00	05	20AUG2004	BW	GG
		A	29MAR2006	BC	GG
		A1	13APR2010	DH	AS



SCALE 4:1



RECOMMENDED PCB HOLE LAYOUT  
 BACKPLANE  
 PRIMARY SIDE  
 SCALE 4:1

- △ DIMENSIONS PER CUSTOMER BOARD LAYOUT
- △ FINISH: 1.27μM MIN GOLD IN CONTACT AREA, 1.27μM MIN TIN-LEAD ON PCB TAIL, OVER 1.27μM MIN NICKEL OVER ALL.
- △ FINISH: 1.27μM MIN GOLD IN CONTACT AREA, 1.27μM MIN TIN ON PCB TAIL, OVER 1.27μM MIN NICKEL OVER ALL.
- 4. HOUSING: LCP, UL94V-0, BLACK  
 CONTACT: PHOSPHOR BRONZE
- △ MANUFACTURING TOLERANCE FOR  $\varnothing 0.60 \pm 0.05$  FINISHED HOLE WITH TIN-LEAD PLATING.  
 DRILLED HOLE:  $\varnothing 0.70 \pm 0.02$ ,  
 COPPER PLATING: 0.025 - 0.050,  
 TIN-LEAD PLATING: 0.015 MAX.  
 OR  
 MANUFACTURING TOLERANCE FOR  $\varnothing 0.625 \pm 0.050$  FINISHED HOLE WITHOUT TIN-LEAD PLATING  
 DRILLED HOLE:  $\varnothing 0.70 \pm 0.02$ ,  
 COPPER PLATING: 0.025 - 0.050,

△	1410270-2
△	1410270-1
PLATING	PART NUMBER

DIMENSIONS: mm TOLERANCES UNLESS OTHERWISE SPECIFIED: 0 PLC ±.3 1 PLC ±0.3 3 PLC ±0.25 4 PLC ±.2 ANGLES ±1°		DWN: L.A.MAYER 09SEP2000 CHK: S.WELLER 09SEP2000 APVD: S.FLICKINGER 09SEP2000 PRODUCT SPEC: APPLICATION SPEC: WEIGHT: CUSTOMER DRAWING		NAME: ASSEMBLY, POWER, VERTICAL RECEPTACLE, 4 CAVITY, 20.3mm, MULTIGIG SIZE: A1 CAGE CODE: 00779 DRAWING NO: 1410270 SCALE: 8:1 SHEET: 1 OF 1 REV: A1	
---	--	--	--	---	--