

LOC	DIST	REV	DATE	BY	CHK	APPV
GP	00	1	20FEB2006	RT	GGG	
		A	18DEC2006	RT	GG	
		B	17SEP2008	RT	GG	

- 1 HOUSING: LCP, UL94V0, COLOR: BLACK.
CONTACT: PHOSPHOR BRONZE.
POST: BRASS WIRE
- 2 CONTACT: 1.27µm MIN GOLD IN PAD CONTACT AREA
1.27µm MIN TIN-LEAD ON PCB TAIL
OVER 1.27µm MIN NICKEL OVER ALL.
POST 1.27µm MIN NICKEL PLATED.
- 3 MANUFACTURING TOLERANCE FOR Ø0.46±0.05
DIAMETER FINISHED HOLE WITH Sn /PB PLATING:
DRILLED HOLE = Ø0.55±0.02
COPPER PLATING = 0.025-0.050
Sn /PB PLATING = 0.0038-0.0124
OR
MANUFACTURING TOLERANCE FOR Ø0.475±0.05
DIAMETER FINISHED HOLE WITHOUT Sn /PB PLATING:
DRILLED HOLE = Ø0.55±0.02
COPPER PLATING = 0.025-0.050
- 4 SEE TABLE 1 FOR INTERCONNECTIONS TO
BACKPLANE CONNECTOR.

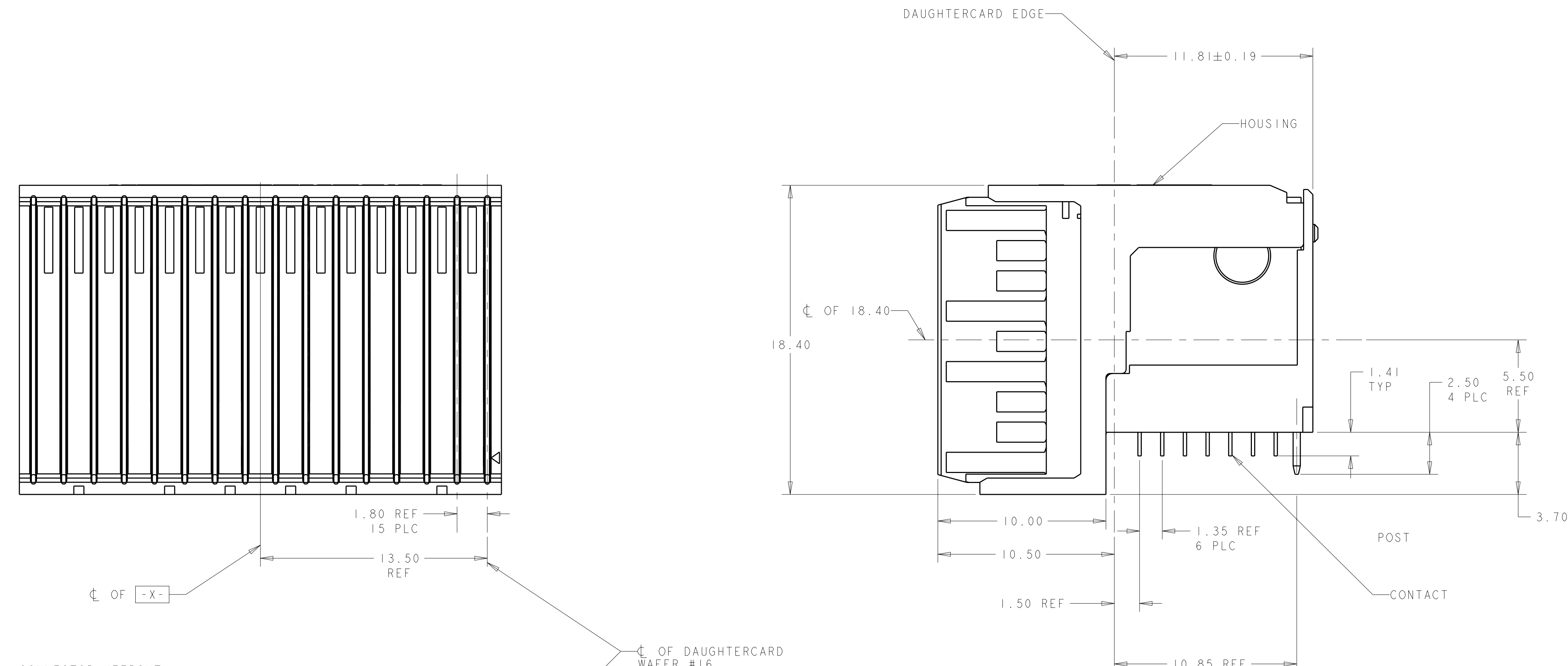


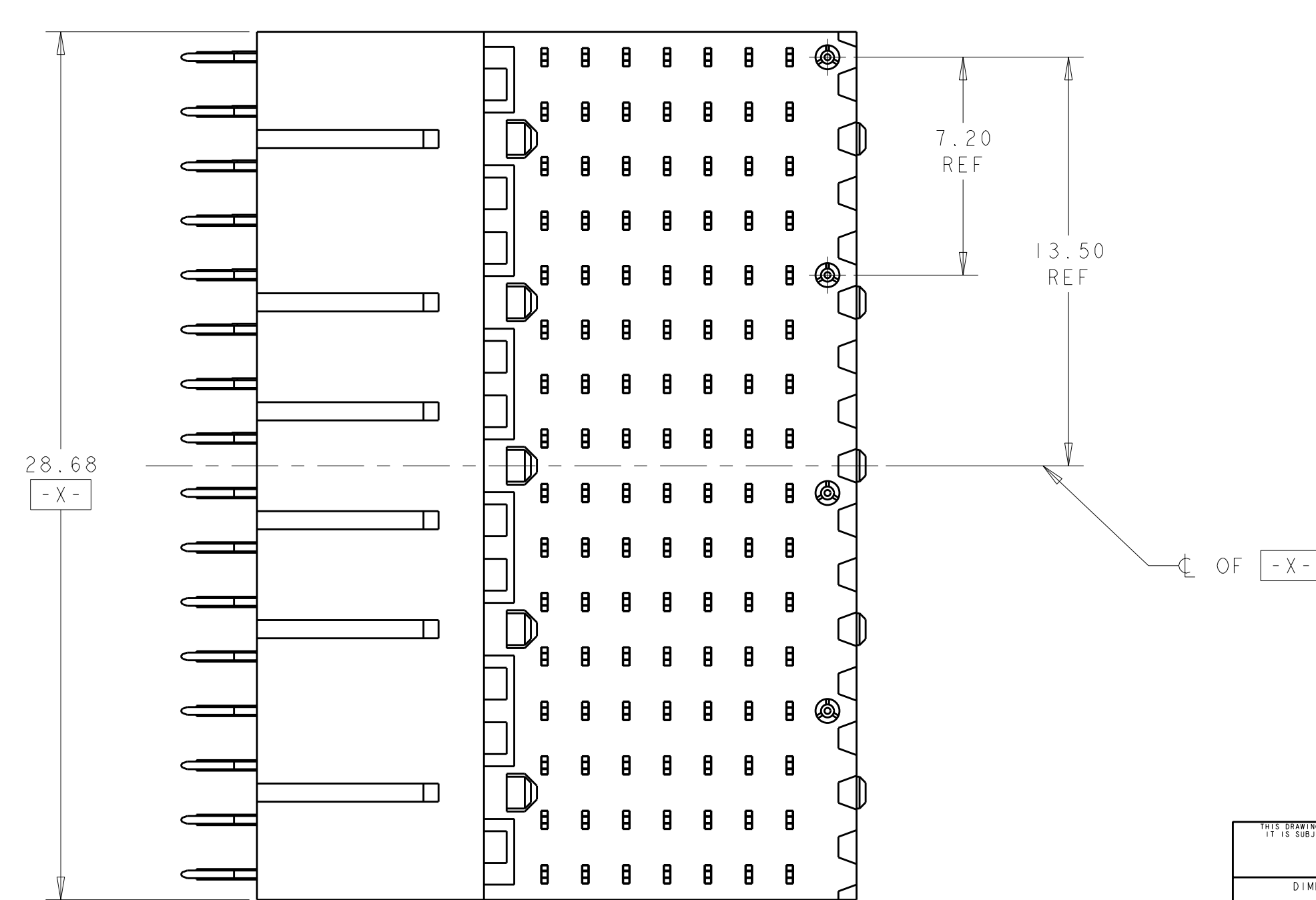
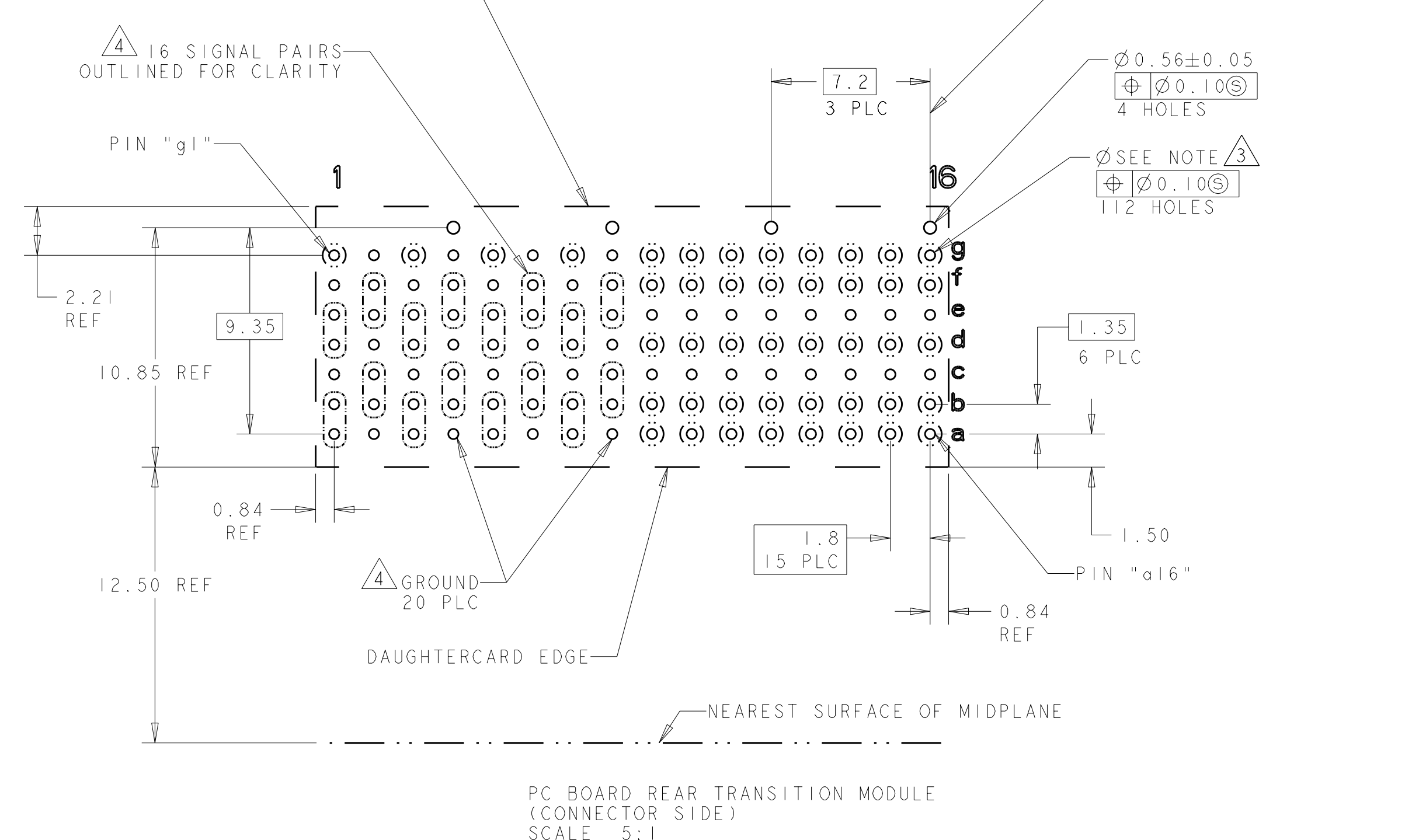
TABLE 1
INTERCONNECTIONS WITH BACKPLANE CONNECTOR
1410140-1, 1410966-1, 1410967-1

TYPICAL INTERCONNECTIONS FOR EACH ODD-NUMBERED COLUMN (WAFER): 1,3,5,7		
CONTACT USAGE	DAUGHTERCARD CONNECTOR PIN	BACKPLANE CONNECTOR PIN
SIGNAL PAIR	ax	ax
	bx	bx
SIGNAL PAIR	dx	ex
	ex	fx
SIGNAL	gx	ix
GROUND	c x, f x (ALL COMMONED)	c x, d x, g x, h x

TYPICAL INTERCONNECTIONS FOR EACH EVEN-NUMBERED COLUMN (WAFER): 2,4,6,8		
CONTACT USAGE	DAUGHTERCARD CONNECTOR PIN	BACKPLANE CONNECTOR PIN
SIGNAL PAIR	bx	cx
SIGNAL PAIR	cx	dx
SIGNAL PAIR	ex	gx
SIGNAL PAIR	fx	hx
GROUND	ax, dx, gx, (ALL COMMONED)	ax, bx, ex, fx, ix

TYPICAL INTERCONNECTIONS FOR EACH COLUMN (WAFER): 9,10,11,12,13,14,15,16		
CONTACT USAGE	DAUGHTERCARD CONNECTOR PIN	BACKPLANE CONNECTOR PIN
SIGNAL	ax	bx
SIGNAL	bx	cx
SIGNAL	dx	ex
SIGNAL	fx	gx
SIGNAL	gx	hx
GROUND	c x, e x, (ALL COMMONED)	a x, d x, f x, i x

NOTE: "x" DESIGNATES THE COLUMN NUMBER



PC BOARD REAR TRANSITION MODULE
(CONNECTOR SIDE)
SCALE 5:1

DIMENSIONS: mm		TOLERANCES UNLESS OTHERWISE SPECIFIED: 9 PLC ±0.5 1 PLC ±0.13 5 PLC ±0.13 4 PLC ±0.13 ANGLES ±1°		DWN: TREA 17FEB2006 CHK: G. GRIFFITH 17FEB2006 APPV: 17FEB2006		PLATING 1410970-3 PART NO 1410970-3	
MATERIAL:		FINISH:		PRODUCT SPEC: 108-2072 APPLICATION SPEC: 114-13056		NAME: RIGHT-ANGLE PLUG ASSEMBLY, 7 ROW, CENTER, 20.3mm, MultiGig RT2, DAUGHTERCARD CONNECTOR, DIFFERENTIAL-SE	
WEIGHT: -		SIZE: 114-13056		CAGE CODE: A1100779		DRAWING NO: C-1410970	
CUSTOMER DRAWING		SCALE: 6:1		SHEET: 1 OF 1		REV: B	