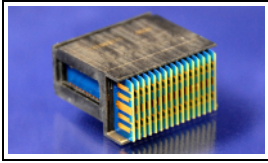


## 1410421-4 Product Details

[Share](#) [Print](#) [Email](#)



**1410421-4**

TE Internal Number: 1410421-4

Active

[View 3D PDF](#)

### MULTIGIG RT, RT 2 and RT 2R Connectors and Accessories

Always EU RoHS/ELV Compliant (Statement of Compliance)

#### Product Highlights:

- Connector
- Type of Connector = Daughtercard
- 20.3 mm Card Slot Pitch
- Module Type = Stand Alone
- Right Angle Mount Angle

[View all Features](#)

#### Quick Links

- ▶ [Pricing & Availability](#)
- ▶ [Search for Tooling](#)
- ▶ [View Mating Products \(2\)](#)
- ▶ [Product Feature Selector](#)
- ▶ [Contact Us About This Product](#)

[Add to My Part List](#) [Request Sample](#) [Find Similar Products](#) [Buy Product](#)

### Documentation & Additional Information

#### Product Drawings:

- [RIGHT ANGLE, PLUG ASSEMBLY, STAND ALONE, FULL, 20.3m...](#) (PDF, English)

#### Catalog Pages/Data Sheets:

- None Available

#### Product Specifications:

- [MULTIGIG RT\\* Signal Connectors, Tiers 1 and 2, and R...](#) (PDF, English)

#### Application Specifications:

- [MULTIGIG RT Signal Connectors](#) (PDF, English)

#### Instruction Sheets:

- None Available

#### CAD Files: (CAD Format & Compression Information)

- [2D Drawing](#) (DXF, Version A)
- [3D Model](#) (IGES, Version A)
- [3D Model](#) (STEP, Version A)

[List all Documents](#)

#### Additional Information:

- [Product Line Information](#)

#### Related Products:

- [Tooling](#)
- [Mating Products \(2\)](#)

### Product Features (Please use the Product Drawing for all design activity)

#### Product Type Features:

- Product Type = Connector
- Type of Connector = Daughtercard
- [Module Type](#) = Stand Alone
- [Mount Angle](#) = Right Angle
- Board = Switch-Side
- Part Designation = T1-M08-R

#### Electrical Characteristics:

- REF = P23
- Data Rate (Gb/s) = 3.125

#### Termination Features:

- [Termination Type](#) = Differential

#### Dimensions:

- Card Slot Pitch (mm [in]) = 20.3 [0.8]

#### Body Features:

- Post Material = Brass
- Post Plating = Nickel

#### Contact Features:

- Contact Base Material = Phosphor Bronze
- Contact Plating, Mating Area, Material = Gold
- Solder Tail Contact Plating = Tin over Nickel

#### Housing Features:

- Housing Material = Liquid Crystal Polymer (LCP)
- Housing Color = Black
- UL Flammability Rating = UL 94V-0

#### Configuration Features:

- Number of Columns = 16
- Density = 113 lines/inch

#### Industry Standards:

- VITA 66.1 = No
- [RoHS/ELV Compliance](#) = RoHS compliant, ELV compliant
- [Lead Free Solder Processes](#) = Not relevant for lead free process
- RoHS/ELV Compliance History = Always was RoHS compliant

#### Other:

- [Series](#) = None
- Brand = TE Connectivity

### Corporate Information

[About TE](#)

[Investors](#)

### Quick Links

[Distributor Inventory](#)

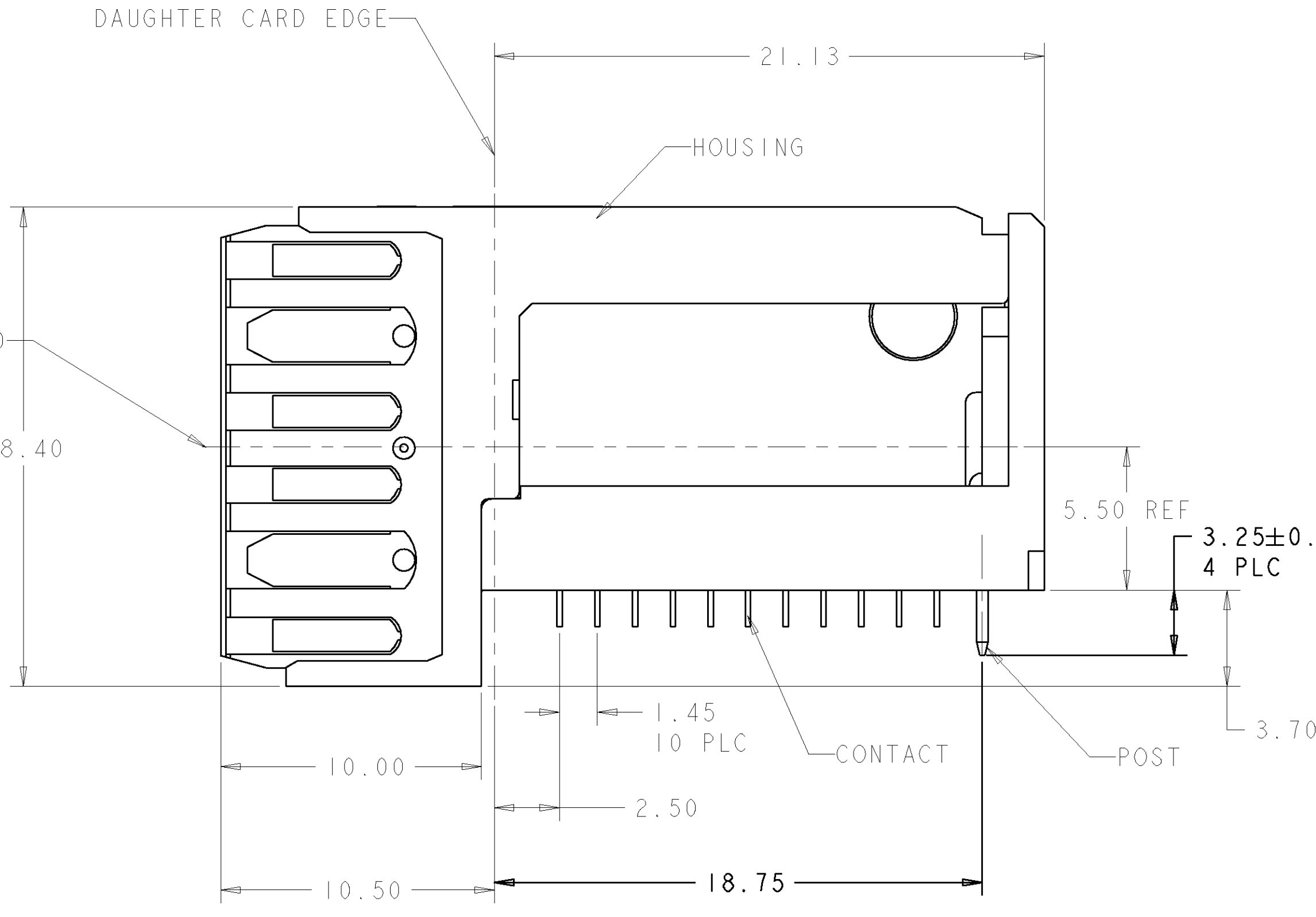
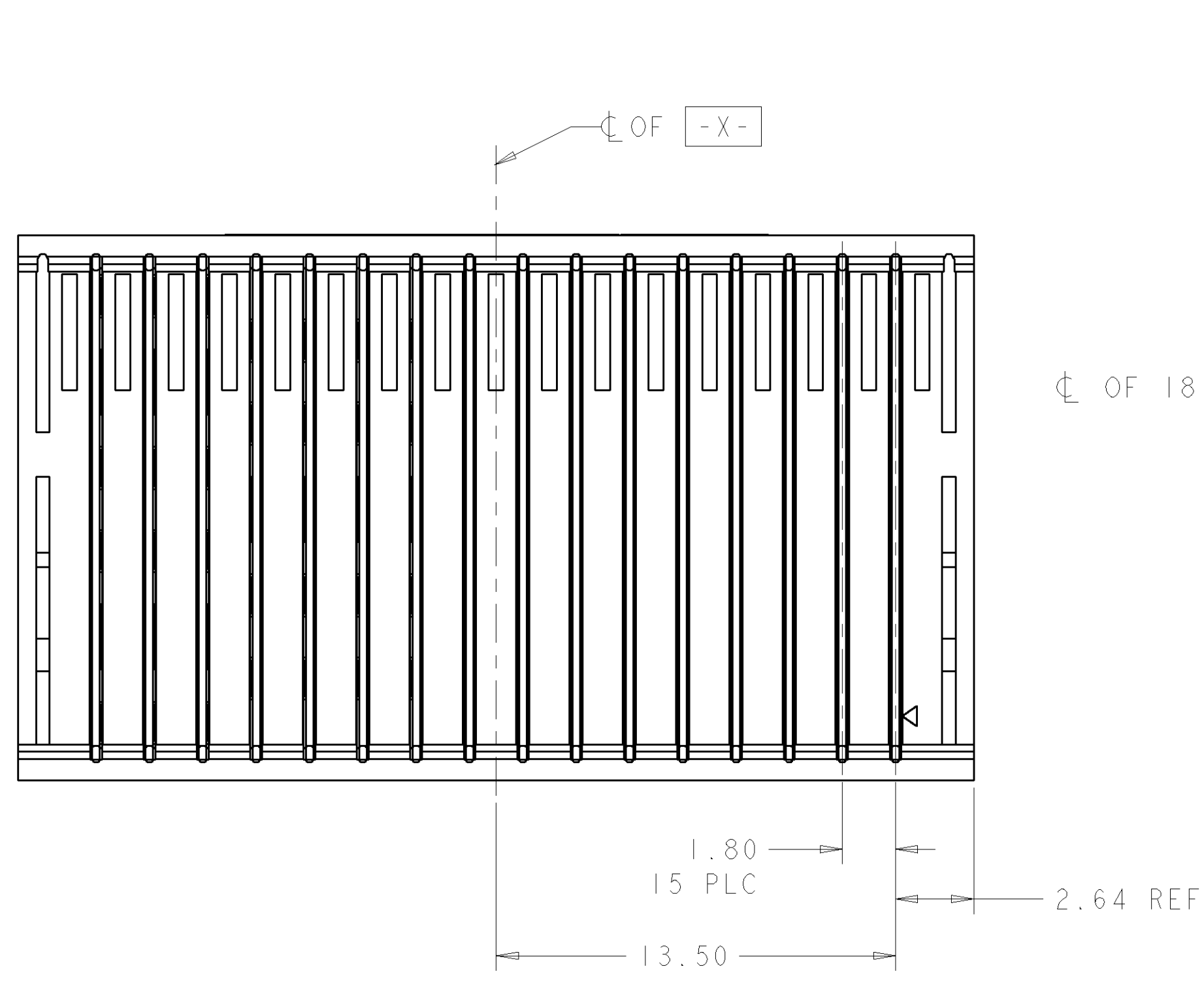
[Product Cross Reference](#)

### Customer Support

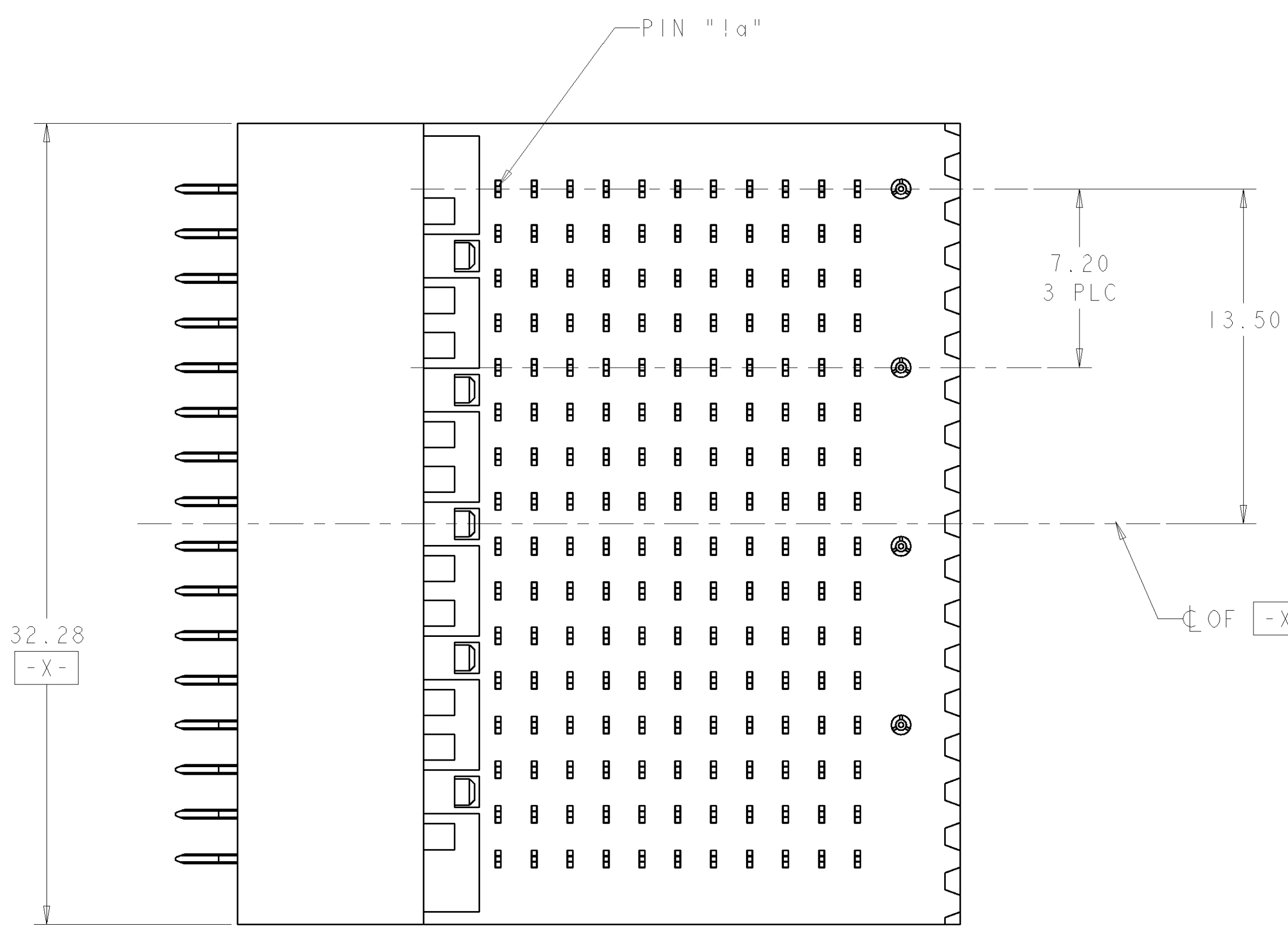
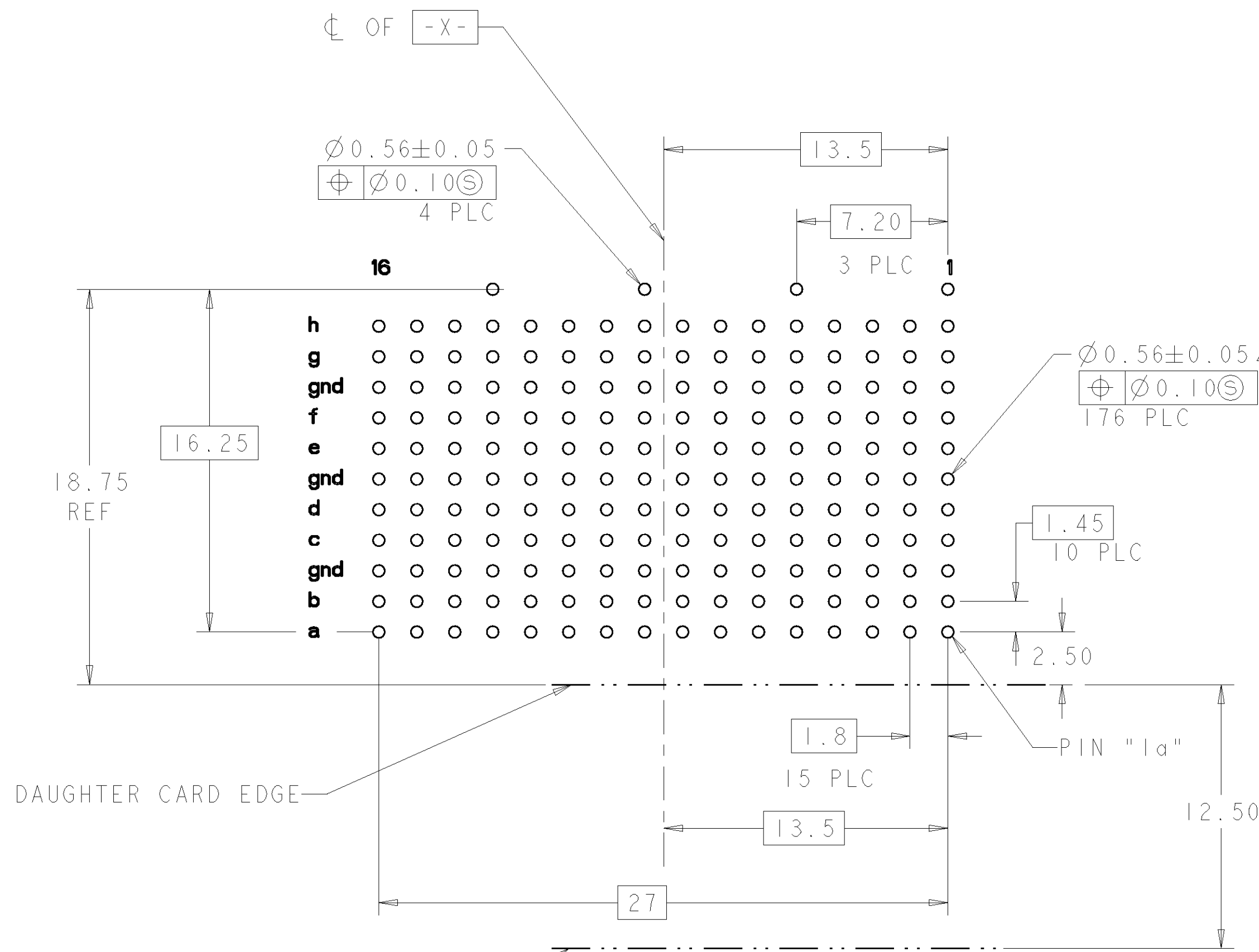
[Email or Chat With Us](#)

[Find a Phone Number](#)

LOC	DIST	REV	DATE	DWN	APVD
AD	00	A	09AUG2004	BW	GG



- 1 HOUSING: LCP, UL94V-0, BLACK.  
CONTACT: PHOSPHOR BRONZE.  
POST: BRASS WIRE.
- 2 CONTACT: 0.76 μm GOLD PER ASTM B 488 IN CONTACT AREA,  
1.27 μm MIN TIN-LEAD ON PCB TAIL,  
OVER 1.27 μm MIN NICKEL PER SAE AMS-QQ-N-290 OVER ALL.  
POST: 1.27 μm MIN NICKEL.
- 3 MANUFACTURING TOLERANCE FOR A Ø 0.56 ± 0.05 FINISHED HOLE.  
DRILLED HOLE: Ø 0.65 ± 0.02  
COPPER PLATE: 0.050-0.025  
TIN/LEAD PLATE: 0.0124-0.0038
- 4 CONTACT: 0.76 μm GOLD PER ASTM B 488 IN CONTACT AREA,  
1.27 μm MIN MATTE TIN PER ASTM B 545 ON PCB TAIL,  
OVER 1.27 μm MIN NICKEL PER SAE AMS-QQ-N-290 OVER ALL.  
POST: 1.27 μm MIN NICKEL.
- 5 MANUFACTURING TOLERANCE FOR A Ø 0.575 ± 0.045 FINISHED HOLE WITHOUT TIN LEAD PLATING:  
DRILLED HOLE: Ø 0.65 ± 0.02  
COPPER PLATING: 0.025 - 0.050



CONTACT TAIL/HOLE FINISH	DESCRIPTION	PART NO
4	DIFFERENTIAL PAIR, NONSEQUENTIAL	1410421-4
4	SINGLE END, NONSEQUENTIAL	1410421-3
2	DIFFERENTIAL PAIR, NONSEQUENTIAL	1410421-2
2	SINGLE END, NONSEQUENTIAL	1410421-1

DIMENSIONS: mm		TOLERANCES UNLESS OTHERWISE SPECIFIED: 0 PLC ± 1 PLC ±0.13 3 PLC ±0.013 4 PLC ± ANGLES ±1°		DWN R. TREA 12DEC2002 ENR D. DEFIBAUGH 12DEC2002 APVD D. DEFIBAUGH 12DEC2002		<b>tyco</b> Electronics Tyco Electronics Harrisburg, PA 17105-3608	
MATERIAL:		FINISH:		WEIGHT:		SIZE: CAGE CODE DRAWING NO. RESTRICTED TO A1 00779 C=1410421	
CUSTOMER DRAWING				SCALE 3:1		SHEET 1 OF 1 REV A	