

**Tab Contacts – Locking Lance (LL)**

**Technical Features**

**Contact Material:**

CuNiSi  
Insert Tab: CuSn0.15

**Contact Finish:**

Tin plated, selective silver plated,  
selective gold plated

**Wire Size Range:**

0.14–0.22 mm<sup>2</sup>,  
0.25–0.35 mm<sup>2</sup>,  
0.50–0.75 mm<sup>2</sup>,  
1.0–1.5 mm<sup>2</sup>

**Extraction Tool:**

Part No. 5-1579007-3

**Product Group Drawing:**

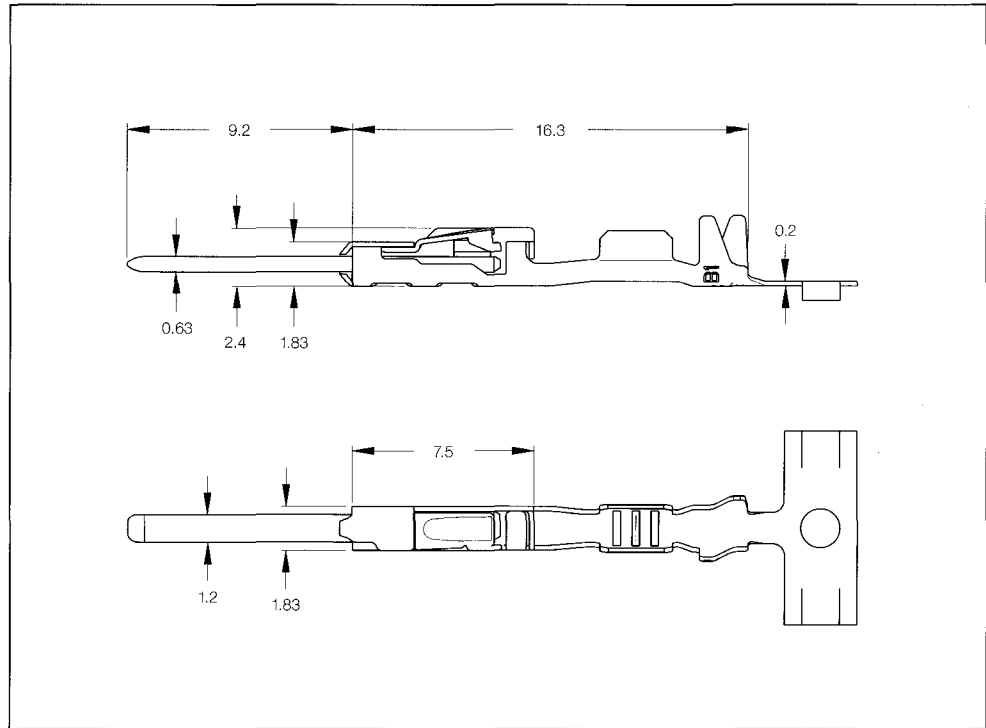
1418754

**Product Specification:**

108-18782

**Application Specification:**

114-18464



**Modular Dimensions (Centerline):**

max. 0.75 mm <sup>2</sup>	2.5 x 2.5 mm	
max. 1.0 mm <sup>2</sup>	2.5 x 3.0 mm	sealed 4.0 x 4.0 mm
max. 1.0 mm <sup>2</sup>		sealed staggered 3.5 x 4.0 mm
max. 1.5 mm <sup>2</sup>	2.5 x 3.5 mm	sealed 4.5 x 4.5 mm
max. 1.5 mm <sup>2</sup>		sealed staggered 4.0 x 4.5 mm

**Standard Tab Contacts**

Wire Size Range (mm <sup>2</sup> )	Insulation Diameter (mm)		Material and Finish*	Part Numbers					
	FLK	FLR		Strip Form	Package Quantity	Loose-Piece	Package Quantity	Applicator*	Hand Tool 539635-1 with Die Set
0.14–0.22	–	1.05–1.20	-1 / -2 / -3	1418756	9,000	1418757	500	x-1528155-x	4-1579001-4
0.25–0.35	–	1.10–1.75	-1 / -2 / -3	1418758	9,000	1418759	500	x-1528156-x	4-1579001-3
0.50–0.75	–	1.4–1.9	-1 / -2 / -3	1418760	8,000	1418761	500	x-1528157-x	4-1579001-2
1.0–1.5	–	1.9–2.4	-1 / -2 / -3	1418762	7,000	1418763	500	x-1528159-x	4-1579001-1

**Tab Contacts Single Wire Sealing System (SWS)**

Wire Size Range (mm <sup>2</sup> )	Insulation Diameter (mm)		Material and Finish*	Part Numbers					
	FLK	FLR		Strip Form	Package Quantity	Loose-Piece	Package Quantity	Applicator*	Hand Tool 539635-1 with Die Set
0.14–0.22	–	1.05–1.20	-1 / -2 / -3	1718756	6,500	1718757	500	x-1528160-x	4-1579001-8
0.25–0.35	–	1.10–1.75	-1 / -2 / -3	1718758	6,500	1718759	500	x-1528161-x	4-1579001-7
0.50–0.75	–	1.4–1.9	-1 / -2 / -3	1718760	6,000	1718761	500	x-1528162-x	4-1579001-6
1.0–1.5	–	1.9–2.4	-1 / -2 / -3	1718762	6,000	1718763	500	x-1528163-x	4-1579001-5

\*) **Material and Finish:**  
xxx-1 = CuNiSi, pre-tin plated  
xxx-2 = CuNiSi, selective gold plated  
xxx-3 = CuNiSi, selective silver plated

\*) The pre- and suffix for the applicators depends on the applied termination equipment.