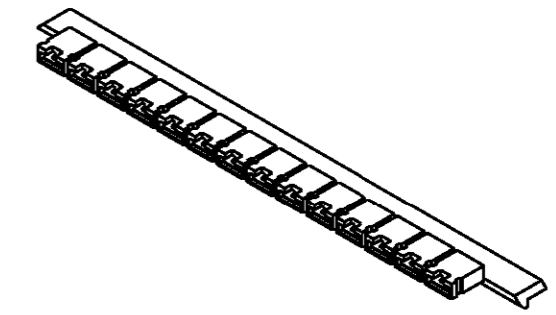
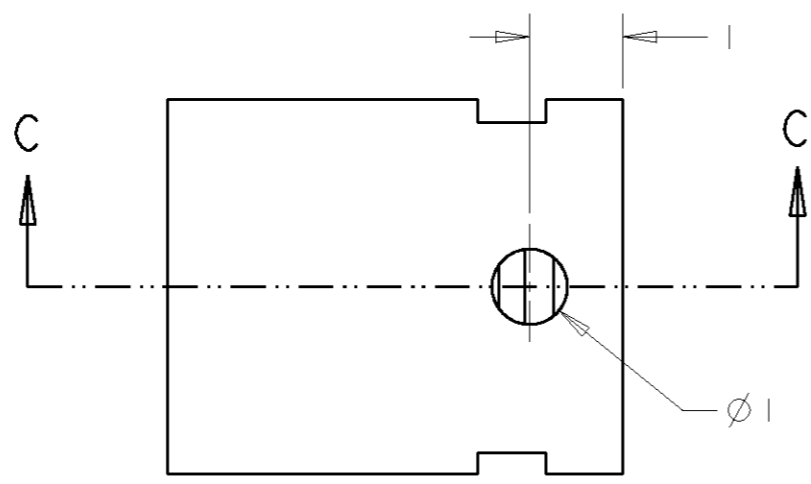
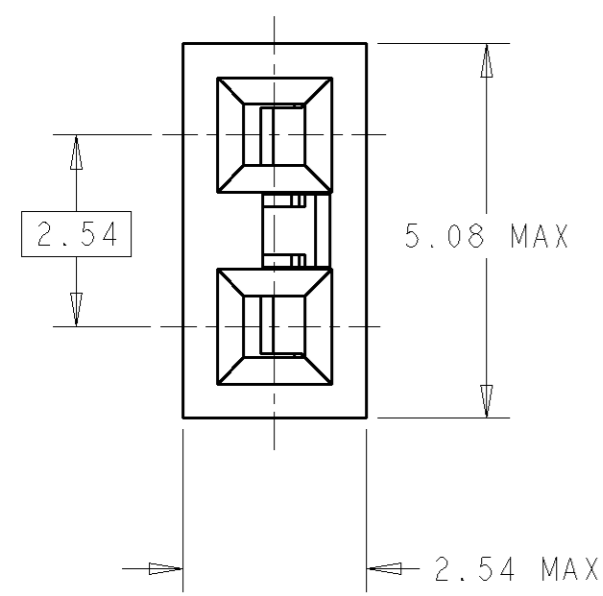
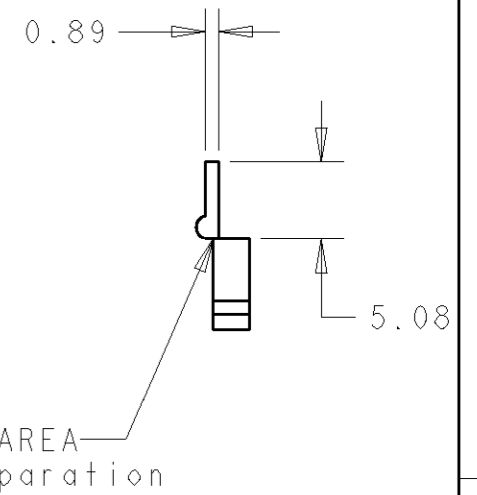
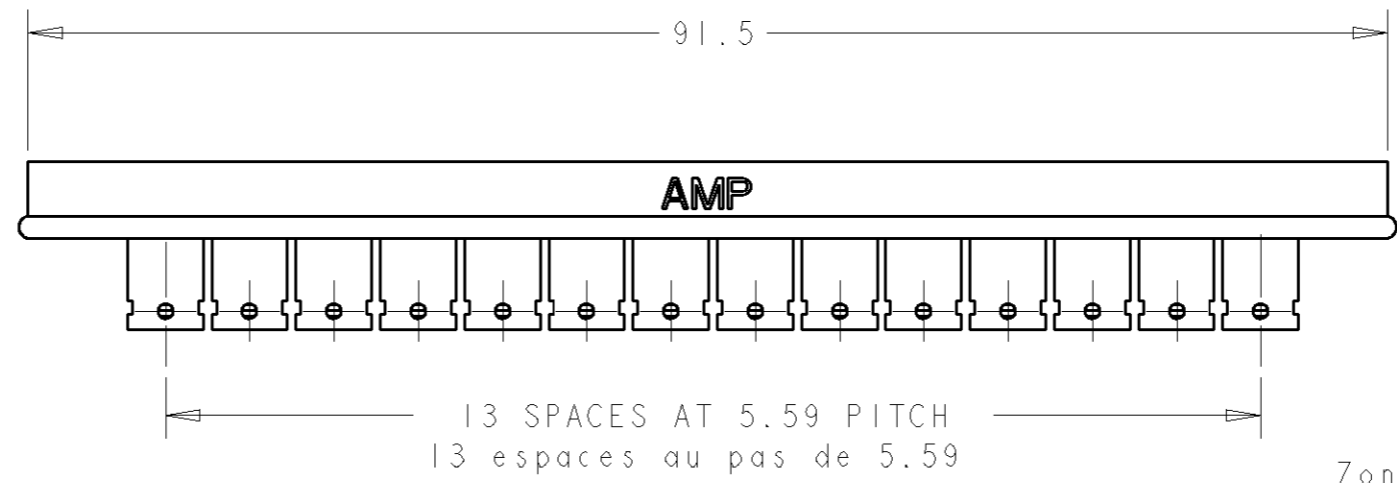
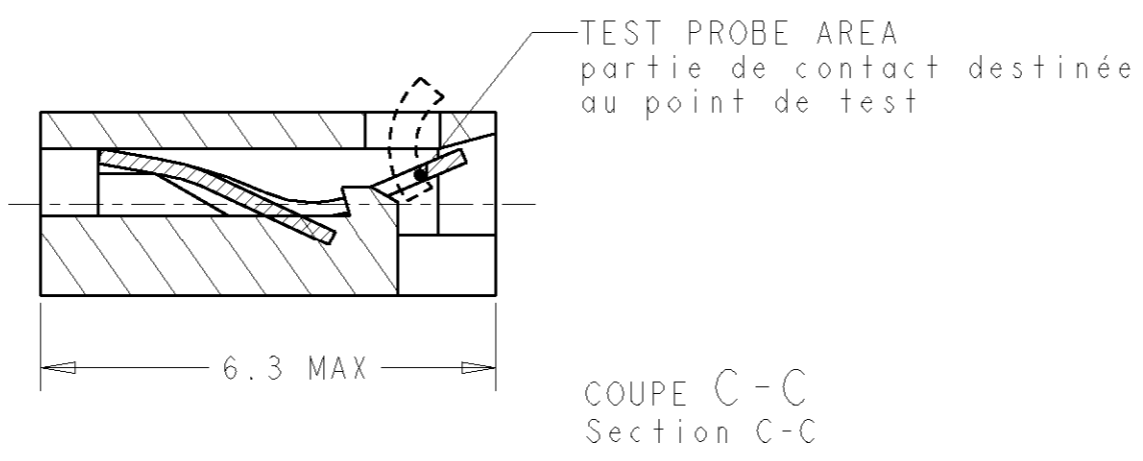


THIS DRAWING IS UNPUBLISHED.
 DIFFUSION RESTREINTE
 © COPYRIGHT 20 BY TYCO ELECTRONICS CORPORATION. ALL RIGHTS RESERVED.
 TOUS DROITS RESERVES

LOC	DIST	REVISIONS							
P	LTR	REV	DESCRIPTION	MODIFICATIONS	DATE	DWN	DESS.	APVD	APP.
F	00	C	REDRAWN IN CAD	-CLARIFICATION	12MAY2004	JJD			



SCALE 1:1



NOTES :
 1- MATES WITH 0.62X0.62 PINS
 à utiliser avec bornes de 0.62X0.62mm
 2- MATERIAL:
 HOUSING : GLASS-FILLED PBT,
 PBT chargé verre UL 94V0
 CONTACT : BERYLLIUM COPPER -CuBe
 FINISH : SEE TABLE - voir table

GOLD PLATED doré, 1 micron	GREY gris	142270-7
GOLD PLATED, CONTACT AREA doré zone de contact, 1 micron	GREEN vert	142270-5
TIN PLATED, LEAD FREE étamé à 3 microns	BLACK noir	142270-3
GOLD PLATED, CONTACT AREA doré zone de contact 0.4 microns	GREEN vert	142270-1
CONTACT FINITION	HOUSING COLOR CODE	PART NUMBER SHUNT ASS'Y

THIS DRAWING IS A CONTROLLED DOCUMENT FOR TYCO ELECTRONICS CORPORATION
 IT IS SUBJECT TO CHANGE AND THE CONTROLLING ENGINEERING ORGANIZATION
 SHOULD BE CONTACTED FOR THE LATEST REVISION.
 CE PLAN EST UN DOCUMENT CONTRÔLÉ PAR TYCO ELECTRONICS. IL EST
 SUSCEPTIBLE D'ÊTRE RÉVISÉ. CONTACTER LE SERVICE TECHNIQUE
 DE TYCO ELECTRONICS POUR OBTENIR LA DERNIÈRE RÉVISION.

DIMENSIONS: mm	TOLERANCES UNLESS OTHERWISE SPECIFIED: TOLERANCES NON SPECIFIÉES: (SUIV NB DE DECIMALES): 0 PLC/DEC: ±0.3 1 PLC/DEC: ±0.3 2 PLC/DEC: ± 3 PLC/DEC: ± 4 PLC/DEC: ± ANGLES ±3	DWN/DESSINE JJ. DESPRETZ 02DEC2003	 TYCO ELECTRONICS France SAS BP 39, 95301 CERGY-PONTOISE Cedex
MATERIAL / MATIÈRE SEE NOTE	FINISH / FINITION CONTACT SEE TABLE	CHK/VERIFIE Y-PETRONIN APVD / APPROUVE Y-PETRONIN PRODUCT SPEC SPEC. PRODUIT APPLICATION SPEC SPEC. APPLICATION	
CUSTOMER DRAWING / PLAN CLIENT		WEIGHT MASSE APPROX. -	NAME TITRE SHUNT CONTACT ASS'Y PITCH 2.54 mm SIZE FORMAT A3 CAGE CODE 00779 DRAWING NO No PLAN C=142270 RESTRICTED TO RESERVE A UNIQUEMENT POUR REFERENCE SCALE ECHELLE 0:1 SHEET FEUILLE OF DE REV C