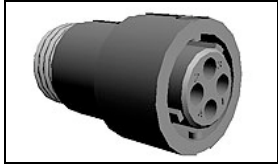


## 1445390-3 Product Details



**1445390-3**

TE Internal Number: 1445390-3



### Miniature CPC (Circular Plastic Connector)

 Always EU RoHS/ELV Compliant (Statement of Compliance)

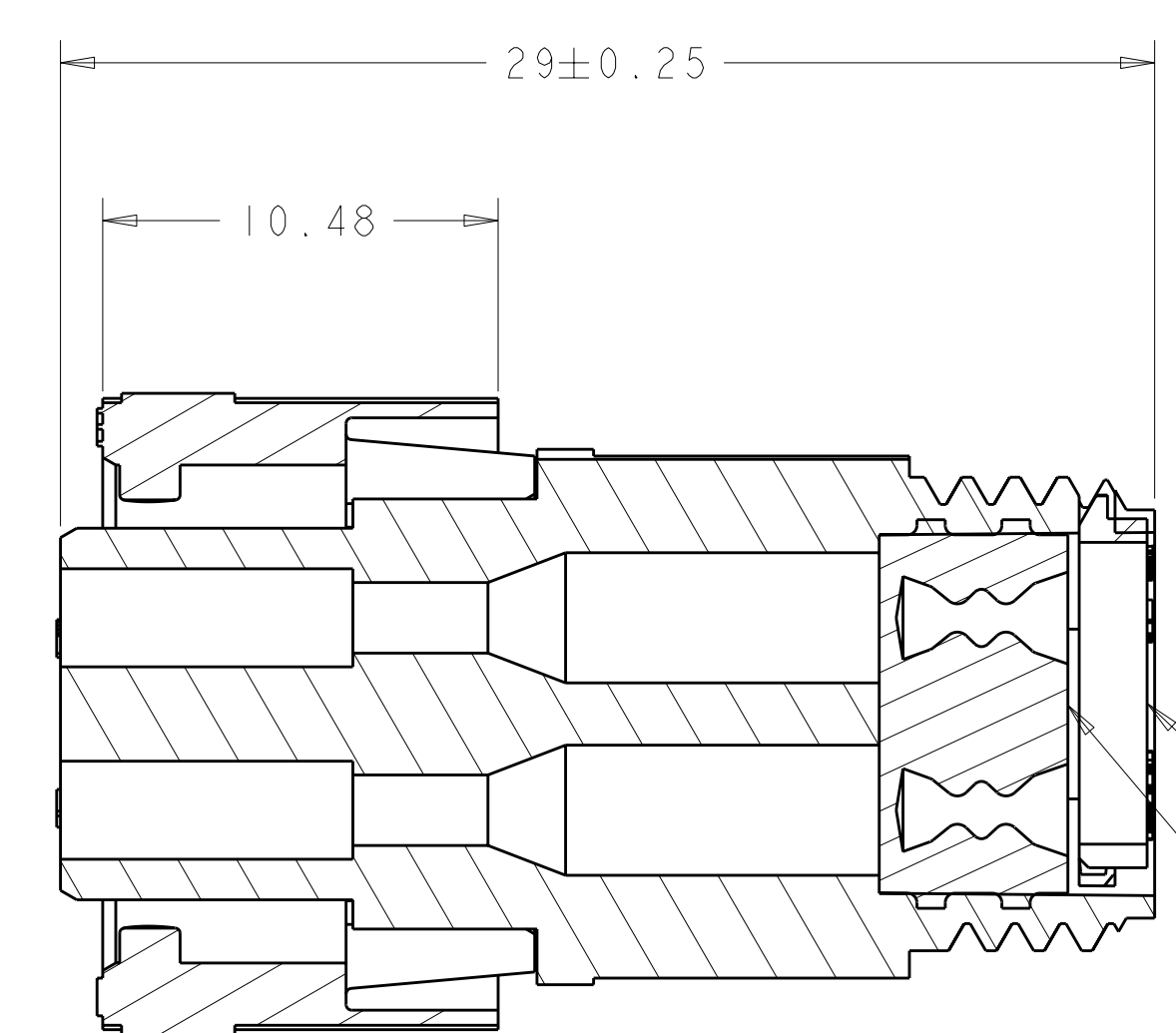
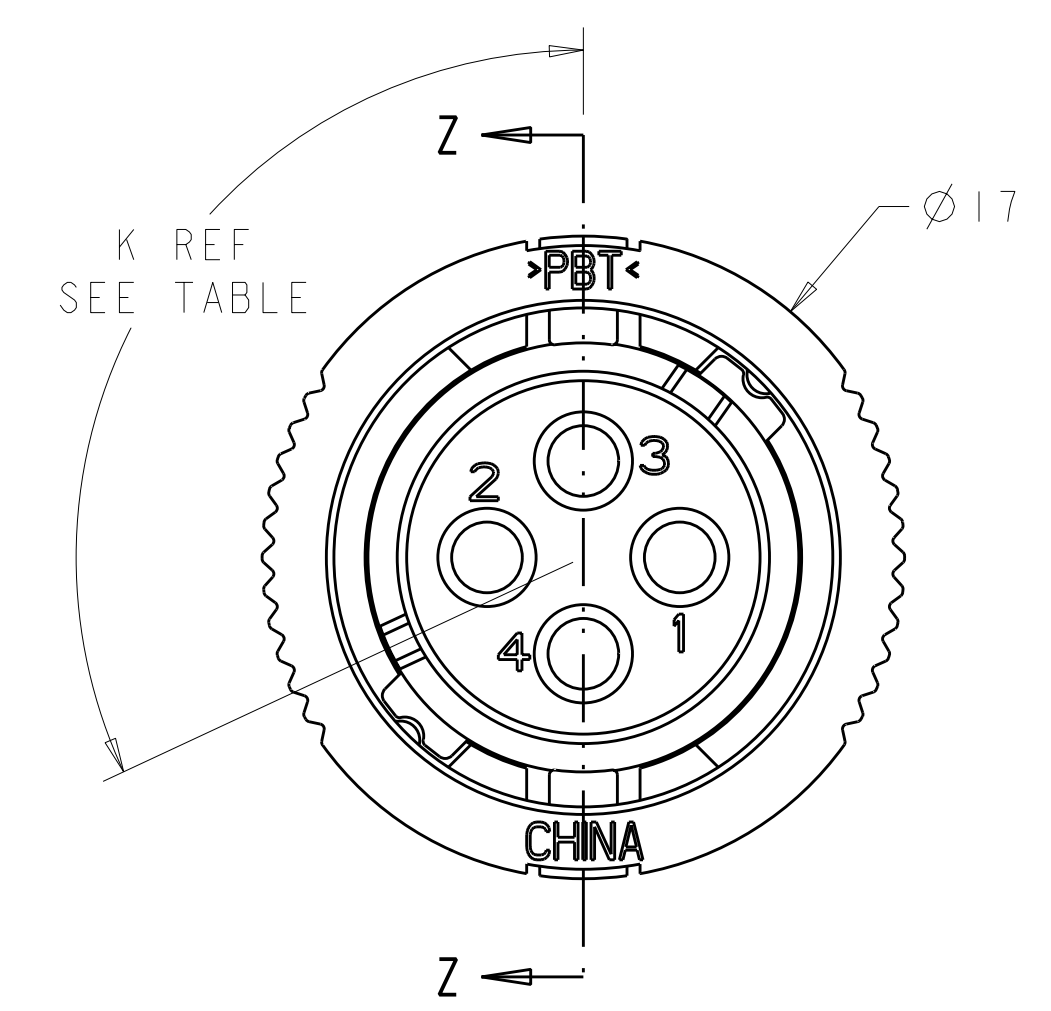
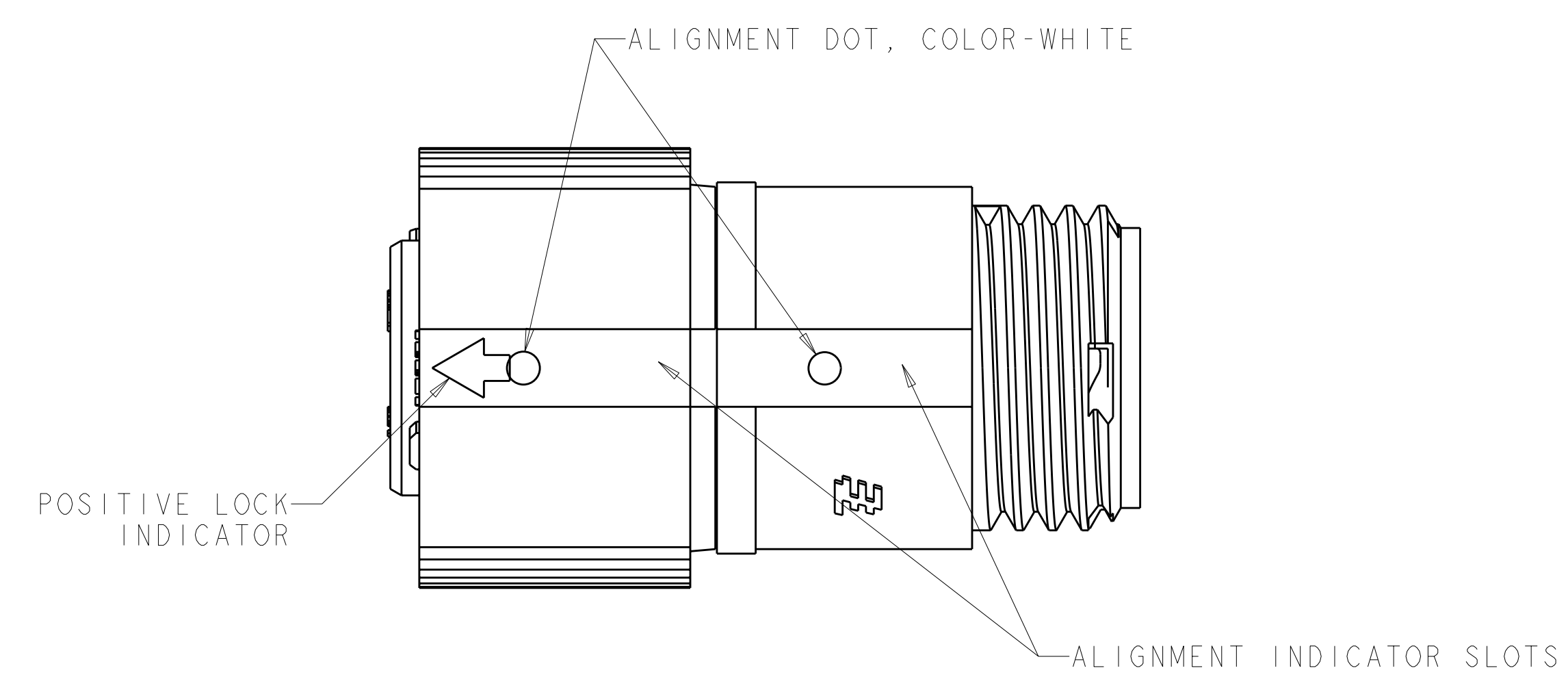
#### Product Highlights:

- Connector
- Connector Style = Plug
- Shell Size = 8
- 4 Positions
- Accepts Wire Insulation Diameter, Range = 1.50 - 2.39 mm

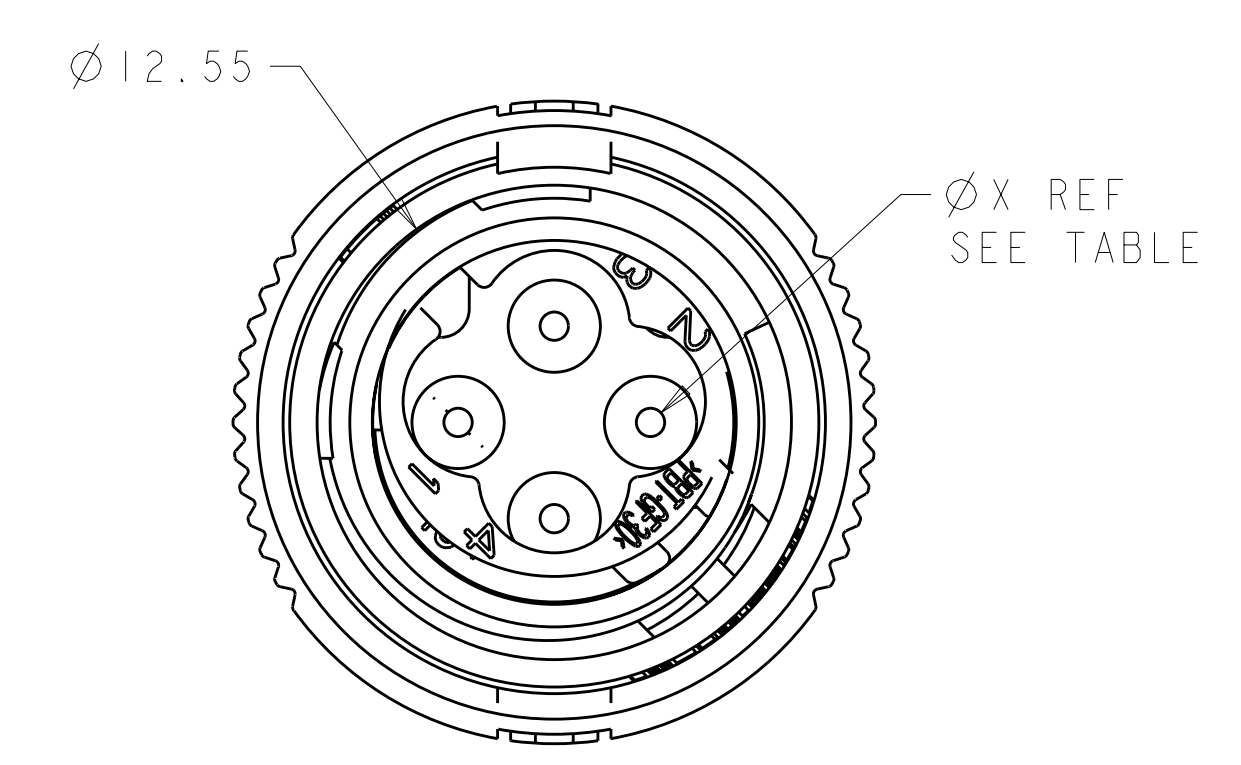
Documentation & Additional Information	
<p><b>Product Drawings:</b></p> <ul style="list-style-type: none"> <li>• <a href="#">ASSEMBLY, PLUG, SIZE 8 4 POSITION, SEALED, MINI CPC</a> (PDF, English)</li> </ul> <p><b>Catalog Pages/Data Sheets:</b></p> <ul style="list-style-type: none"> <li>• <a href="#">AMP Circular Connectors for Commercial Signal &amp; Powe...</a> (PDF, English)</li> </ul> <p><b>Product Specifications:</b></p> <ul style="list-style-type: none"> <li>• None Available</li> </ul> <p><b>Application Specifications:</b></p> <ul style="list-style-type: none"> <li>• <a href="#">Miniature Circular Plastic Connector (CPC)</a> (PDF, English)</li> <li>• <a href="#">Spring Probe Miniature Circular Plastic Connectors (CPC)</a> (PDF, English)</li> </ul> <p><b>Instruction Sheets:</b></p> <ul style="list-style-type: none"> <li>• None Available</li> </ul> <p><b>CAD Files:</b> (CAD Format &amp; Compression Information)</p> <ul style="list-style-type: none"> <li>• <a href="#">2D Drawing</a> (DXF, Version C1)</li> <li>• <a href="#">3D Model</a> (IGES, Version C1)</li> <li>• <a href="#">3D Model</a> (STEP, Version C1)</li> </ul>	<p><b>Additional Information:</b></p> <ul style="list-style-type: none"> <li>• <a href="#">Product Line Information</a></li> </ul> <p><b>Related Products:</b></p> <ul style="list-style-type: none"> <li>• <a href="#">Tooling</a></li> <li>• <a href="#">Mating Products (4)</a></li> <li>• <a href="#">Contacts (48)</a></li> </ul>

Product Features (Please use the Product Drawing for all design activity)	
<p><b>Product Type Features:</b></p> <ul style="list-style-type: none"> <li>• Product Type = Connector</li> <li>• <a href="#">Shell Size</a> = 8</li> </ul> <p><b>Housing Features:</b></p> <ul style="list-style-type: none"> <li>• Connector Style = Plug</li> <li>• Housing Material = Thermoplastic - GF</li> <li>• Housing Color = Black</li> </ul> <p><b>Configuration Features:</b></p> <ul style="list-style-type: none"> <li>• <a href="#">Number of Positions</a> = 4</li> </ul>	<p><b>Industry Standards:</b></p> <ul style="list-style-type: none"> <li>• <a href="#">RoHS/ELV Compliance</a> = RoHS compliant, ELV compliant</li> <li>• <a href="#">Lead Free Solder Processes</a> = Not reviewed for lead free solder process</li> <li>• <a href="#">RoHS/ELV Compliance History</a> = Always was RoHS compliant</li> </ul> <p><b>Conditions for Usage:</b></p> <ul style="list-style-type: none"> <li>• <a href="#">Accepts Wire Insulation Diameter, Range (mm [in])</a> = 1.50 - 2.39 [0.059 - 0.094]</li> </ul> <p><b>Other:</b></p> <ul style="list-style-type: none"> <li>• Brand = TE Connectivity</li> </ul>

LOC	DIST	REVISIONS			
REV	DATE	BY	CHK	APPD	DESCRIPTION
B2	12MAR2011	RK	HMR		REVISED PER ECO-11-004917

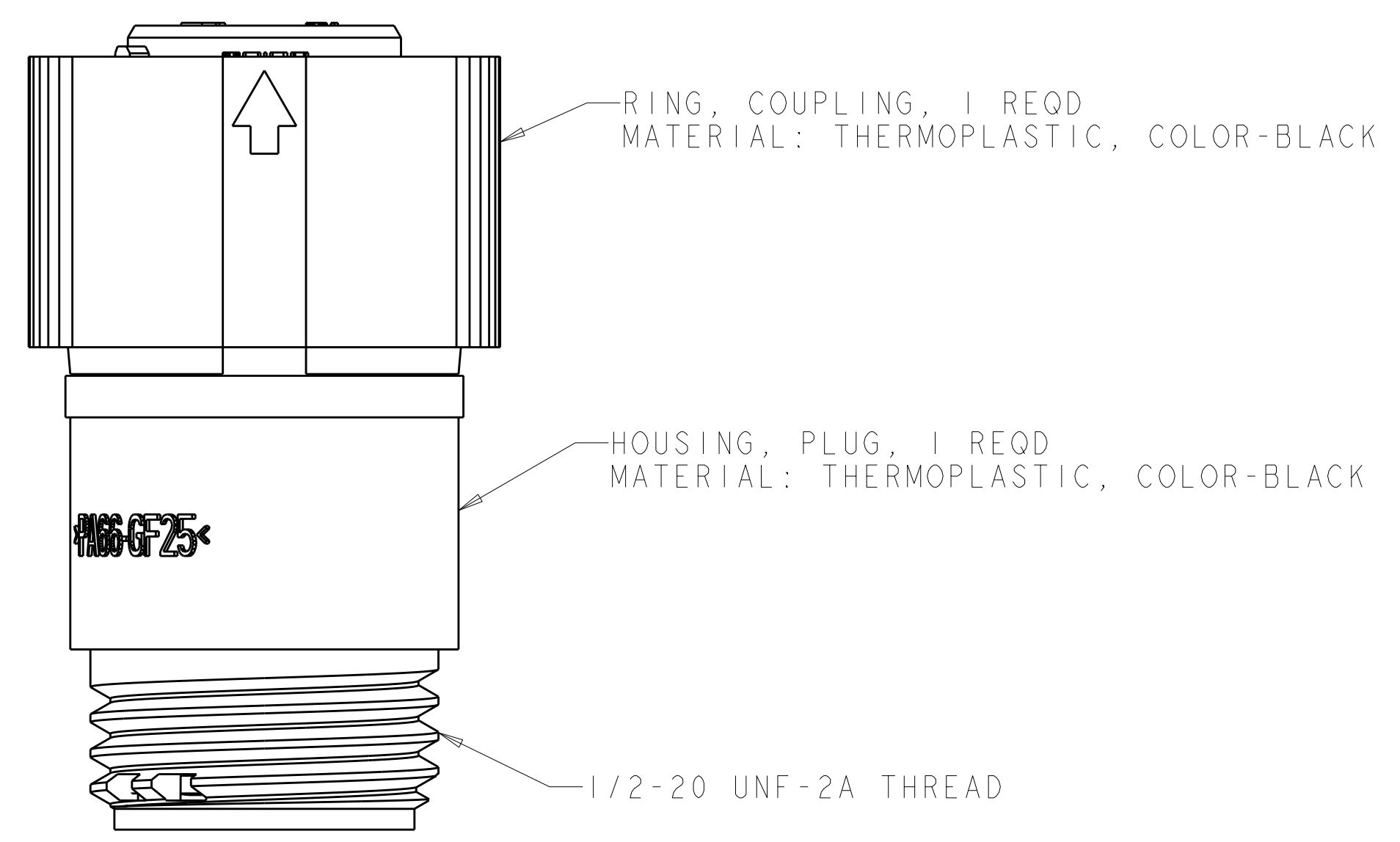


SECTION Z-Z



RETAINER, SEAL, 1 REQD  
 MATERIAL: THERMOPLASTIC, COLOR-BLACK

SEAL, WIRE ENTRY, 1 REQD  
 MATERIAL: ELASTOMER, COLOR-SEE TABLE



**QUALIFICATION TEST PENDING**

YELLOW	Ø0.75	130°	1445390-04
NATURAL	Ø1.5	115°	1445390-03
NATURAL	Ø1.5	130°	1445390-02
YELLOW	Ø0.75	115°	1445390-01
SEAL, WIRE ENTRY COLOR	ØX REF	K REF	PART NUMBER

THIS DRAWING IS A CONTROLLED DOCUMENT.		DWN S. DOUTY 01MAR2001	TE Connectivity	
DIMENSIONS:		CHK H. WAKEEM 12JUN2003	NAME ASSEMBLY, PLUG, SIZE 8 4 POSITION, SEALED, MINI CPC	
TOLERANCES UNLESS OTHERWISE SPECIFIED:		APVD H. WAKEEM 12JUN2003	PRODUCT SPEC	
mm			APPLICATION SPEC	
0 PLC ± 1 PLC ± 2 PLC ±0.13 3 PLC ± 4 PLC ± ANGLES ±			RESTRICTED TO	
MATERIAL SEE CALLOUT		FINISH SEE CALLOUT	WEIGHT -	SCALE 5:1 SHEET 1 OF 1 REV B2
CUSTOMER DRAWING		SIZE CAGE CODE DRAWING NO A100779C=1445390		