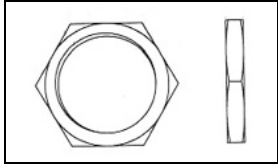


1445904-1 Product Details



1445904-1

TE Internal Number: 1445904-1



Miniature CPC (Circular Plastic Connector)

 Always EU RoHS/ELV Compliant (Statement of Compliance)

Product Highlights:

- Accessory
- Accessory Type = Jam Nut
- Shell Size = 11
- Thread Size = 3/4-20
- RoHS compliant, ELV compliant

Documentation & Additional Information

Product Drawings:

- [JAM NUT, MINI CPC \(PDF, English\)](#)

Catalog Pages/Data Sheets:

- [AMP Circular Connectors for Commercial Signal & Powe... \(PDF, English\)](#)

Product Specifications:

- None Available

Application Specifications:

- [Miniature Circular Plastic Connector \(CPC\) \(PDF, English\)](#)

Instruction Sheets:

- None Available

CAD Files: (CAD Format & Compression Information)

- [2D Drawing \(DXF, Version A1\)](#)
- [3D Model \(IGES, Version A1\)](#)
- [3D Model \(STEP, Version A1\)](#)

Additional Information:

- [Product Line Information](#)

Related Products:

- [Tooling](#)

Product Features (Please use the Product Drawing for all design activity)

Product Type Features:

- Product Type = Accessory
- Accessory Type = Jam Nut
- Shell Size = 11
- Thread Size = 3/4-20

Body Features:

- Jam Nut Material = Brass
- Jam Nut Plating = Nickel

Industry Standards:

- [RoHS/ELV Compliance](#) = RoHS compliant, ELV compliant
- [Lead Free Solder Processes](#) = Not reviewed for lead free solder process
- [RoHS/ELV Compliance History](#) = Always was RoHS compliant

Other:

- Brand = TE Connectivity

4

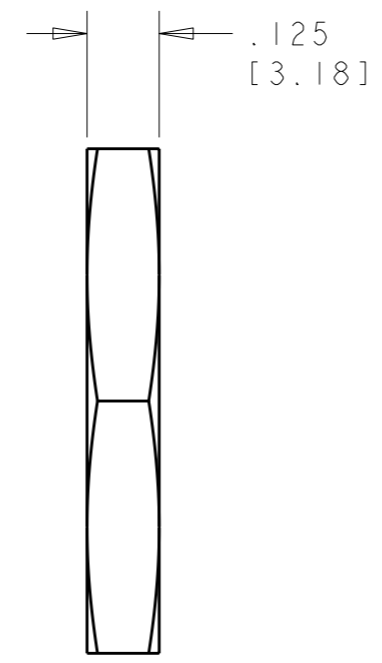
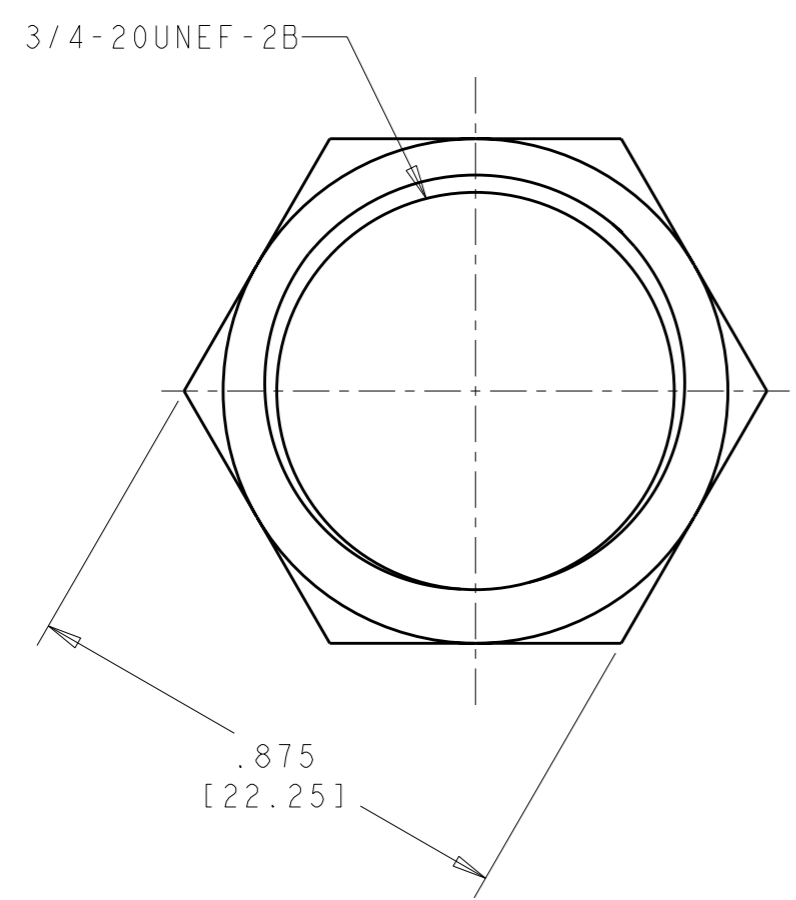
3

2

1

THIS DRAWING IS UNPUBLISHED. RELEASED FOR PUBLICATION 20
 © COPYRIGHT 20 BY TYCO ELECTRONICS CORPORATION. ALL RIGHTS RESERVED.

LOC	DIST	REVISIONS					
FT	0	P	LTR	DESCRIPTION	DATE	DWN	APVD
			A2	REV PER ECR 09-021963	05JAN10	JR	GS



1. BULK PACKAGED IN QTY OF 100.

△2 FINISH: NICKEL OVER COPPER

1445904-1
 PART NUMBER

<small>THIS DRAWING IS A CONTROLLED DOCUMENT FOR TYCO ELECTRONICS CORPORATION IT IS SUBJECT TO CHANGE AND THE CONTROLLING ENGINEERING ORGANIZATION SHOULD BE CONTACTED FOR THE LATEST REVISION.</small>		DWN S. WIEST 17JUN2002 CHK G DOUTY 17JUN2002 APVD H. WAKFFM 18JUL2003		tyco Tyco Electronics Electronics Harrisburg, PA 17105-3608	
DIMENSIONS: in [mm]		TOLERANCES UNLESS OTHERWISE SPECIFIED: 0 PLC ±- 1 PLC ±- 2 PLC ±- 3 PLC ±- 4 PLC ±- ANGLES ±-		NAME JAM NUT, MINI CPC	
		MATERIAL BRASS		FINISH - △2	
PRODUCT SPEC -		APPLICATION SPEC -		SIZE A3 CAGE CODE 00779 DRAWING NO C-1445904 RESTRICTED TO -	
WEIGHT -		CUSTOMER DRAWING		SCALE 3:1 SHEET 1 OF 1 REV A2	