



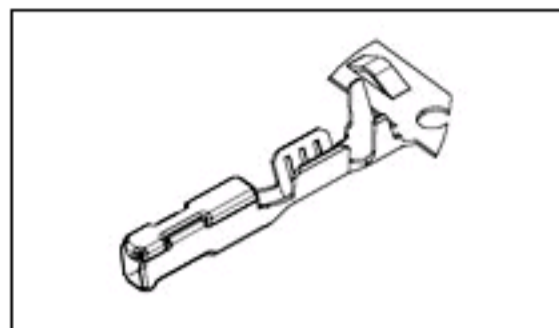
Search bar: What can we help you find?

- Products | Industries | Resources | About TE | My Account | Innovation | Support Center

Home > Products > Product Feature Selector > Product Details

1456968-1 Product Details

Share | Print | Email



1456968-1

TE Internal Number: 1456968-1
Active

0.64 mm Connector Systems

Always EU RoHS/ELV Compliant (Statement of Compliance)

Product Highlights:

- Product Series = Generation Y 0.64 mm
- Wire-to-Wire
- Applies To Wire/Cable
- Contact
- Contact Type = Socket

View all Features

- Add to My Part List | Request Sample | Find Similar Products | Buy Product

Quick Links

- Pricing & Availability
- Search for Tooling
- Product Feature Selector
- Contact Us About This Product

Documentation & Additional Information

Product Drawings:

- CONTACT, FEMALE, 0.64, SILVER PLATE GENERATION Y (PDF, English)

Catalog Pages/Data Sheets:

- None Available

Product Specifications:

- None Available

Application Specifications:

- None Available

Instruction Sheets:

- None Available

CAD Files:

- None Available

Related Products:

- Tooling

List all Documents

Product Features (Please use the Product Drawing for all design activity)

Product Type Features:

- Product Series = Generation Y 0.64 mm
- Product Type = Contact
- Termination Method to Wire/Cable = Crimp
- Strain Relief = Without
- Sealed = No
- Wire/Cable Type = Discrete Wire

Mechanical Attachment:

- Panel Mount Retention = Without

Electrical Characteristics:

- Contact - Rated Current (A) = 8.3 - 9.5
- Operating Voltage Reference = DC

Termination Features:

- Wire/Cable Size (mm²) = 0.35 - 0.5
- Wire/Cable Size (AWG) = 20 - 22

Body Features:

- Wire Type = Stranded

Contact Features:

- Contact Type = Socket
- Contact Base Material = Copper Alloy
- Contact Mating Area Plating (Signal) = Silver Flash
- Underplate Material = Nickel

Industry Standards:

- RoHS/ELV Compliance = RoHS compliant, ELV compliant
- Lead Free Solder Processes = Not relevant for lead free process
- RoHS/ELV Compliance History = Always was RoHS compliant

Environmental:

- Operating Temperature (°C [°F]) = 150 [302]

Conditions for Usage:

- Applies To = Wire/Cable
- Accepts Wire Insulation Diameter, Range (mm [in]) = 1.50 - 1.85 [0.059 - 0.073]

Operation/Application:

- Application Use = Wire-to-Wire
- Contact Transmits (Typical Application) = Signal

Packaging Features:

- Packaging Method = Reel
- Packaging Quantity = 7,500

Other:

- Brand = TE Connectivity
- Comment = Product testing is completed using 100 millivolts checking for < 20 mOhms resistance.

Corporate Information

- About TE
- Investors
- News Room
- Supplier Portal
- Careers
- Terms & Conditions
- Privacy Policy

Quick Links

- Distributor Inventory
- Product Cross Reference
- Documents & Drawings
- Product Compliance Support Center
- Site Map

Customer Support

- Email or Chat With Us
- Find a Phone Number
- Knowledge Base
- Manage Your Account

Keep Me Informed

Receive TE News, Events & Technology Updates

Enter your email address

